



**Operator's Manual**  
**REAR TINE**  
**ROTARY TILLER**

**Model Nos. SRTT212**

**Look inside for:**

	Page
Safety Definitions . . . . .	1
Important Safety Information . . . . .	2-4
Product Specifications . . . . .	5
Parts & Features . . . . .	5
Safety Decals . . . . .	6
Assembly . . . . .	7-8
Engine Preparation . . . . .	9-10
Operation . . . . .	11-14
Maintenance . . . . .	15-18
Technical Service . . . . .	18
Troubleshooting . . . . .	19
Warranty . . . . .	20



**Record the following for future reference:**

**Mfg. Date Code:** \_\_\_\_\_

**Date of Purchase:** \_\_\_\_\_ **Attach a copy of your sales receipt.**

**Consumer Toll Free Number: 1-800-737-2112**

**Refer to the website for electronic manual and parts book.**

**[www.southlandpowerequipment.com](http://www.southlandpowerequipment.com)**

**IMPORTANT:**

Thank you for purchasing this Southland® Tiller.

This manual provides complete instructions for safely operating and maintaining your tiller. Read and save these instructions. Refer to this manual each time before using your tiller.

**WARNING**

CONTAINS LEAD. May be harmful if eaten or chewed. May generate dust containing lead. Wash hands after use. Keep out of reach of children.

**WARNING**

This product can expose you to chemicals including lead, which is known to the State of California to cause cancer and birth defects or other reproductive harm. For more information go to [www.P65Warnings.ca.gov](http://www.P65Warnings.ca.gov).



**If you need assistance or have any questions,**  
**CALL TOLL FREE: 1-800-737-2112**

**KEEP THIS MANUAL FOR FUTURE REFERENCE**

# Safety Definitions

• Save these instructions

Important Safety Information

## Safety Alert Symbols

The following symbols are used on the product and in this manual to alert the operator of potential safety hazards. Read them carefully, and understand their meaning.

 <b>DANGER</b>	Indicates an imminently hazardous situation which, if not avoided, will result in death or serious injury.
 <b>WARNING</b>	Indicates a potentially hazardous situation which, if not avoided, could result in death or serious injury.
 <b>CAUTION</b>	Indicates a potentially hazardous situation which, if not avoided, may result in minor/moderate injury.
<b>NOTICE</b>	Indicates a practice not related to personal injury which, if not avoided, may result in property damage.

The following symbols may be found on your tiller. Carefully read and understand their meaning.

## Safety Warning Symbols

	Look for this symbol to point out important safety precautions. It means: <b>Attention! Become Alert! Your Safety Is Involved.</b>
	Read operator's manual before operating this machine. Failure to follow directions could result in serious injury.
	Thrown objects. Remove all rocks, stones, and foreign objects which could be thrown by machine.
	Do not use if children or bystanders are present.
	Rotating tines can cause serious injury. Keep hands, feet, and clothing away.
	Wear eye protection complying with ANSI Z87.1 and hearing protection.
	Disconnect spark plug wire when not in use or before servicing, cleaning, or performing maintenance on the unit.
	Engine exhaust contains carbon monoxide, an odorless and deadly gas. NEVER run unit indoors or in a poorly ventilated area.
	Do NOT touch hot muffler or cylinder. These parts are extremely hot from operation and may remain hot for a short time after operation.
	To reduce risk of fire, clean spilled gas and oil and keep unit free from debris. Gasoline is extremely flammable. Allow machine to cool before refueling.

## Control and Operating Symbols

	<b>Oil Fill Location:</b> Do Not Overfill.
	<b>Clutch Lever:</b> Depressing the upper lever engages the tines and drive wheels for the tilling operation. Depressing the lower engages the tines and drive wheels for reversing the tiller.
	<b>Throttle Control:</b> Move throttle lever to the left to increase engine speed. Move throttle lever to the right to decrease engine speed.
	<b>Fuel ON/OFF Valve:</b> Move fuel valve lever to the right to the ON position to operate the tiller.
	<b>Choke Lever:</b> Move choke lever to the left for cold engine starting. Move choke lever to the right once engine is started or for warm engine starting.

# Important Safety Information

• Save all instructions

## Responsibility of Operator

1. Carefully read and follow these safety instructions. Failure to do so can result in serious injury.
2. Know your product. Read and understand this manual before use. Compare the illustrations to unit. Learn location and function of all controls. Thoroughly understanding the unit before use will result in the best performance and safety.
3. Follow all instructions when assembling the unit. If the unit was purchased in assembled condition, the operator must check the unit carefully to make sure it was assembled according to the instructions in the manual before use.
4. Regularly inspect the tiller. Make sure parts are not bent, damaged, or loose.
5. Use this equipment for its intended purpose only.
6. Operate the unit only with guards, shields, and other safety items in place and working correctly.
7. Service the unit only with authorized or approved replacement parts.
8. Complete all unit maintenance and adjustments according to the instructions in this manual.

## **⚠ WARNING**

This product can expose you to chemicals including lead, which is known to the State of California to cause cancer and birth defects or other reproductive harm. For more information go to [www.P65Warnings.ca.gov](http://www.P65Warnings.ca.gov).

## **⚠ WARNING**

To prevent accidental starting when setting up, transporting, adjusting or making repairs, always disconnect spark plug wire and put wire where it cannot contact the spark plug.

## Preparation Safety

## **⚠ WARNING**

- Read, understand, and follow all instructions on the machine and in this manual. Be thoroughly familiar with the controls and the proper use of the tiller before starting. Know how to stop the engine quickly.
- Familiarize yourself with all the safety and operating decals on this equipment.

## **⚠ WARNING**

- Thoroughly inspect the area where the tiller is to be used and remove all foreign objects. Your equipment can propel small objects at high speed causing personal injury or property damage. Stay away from breakable objects, such as house windows, auto glass, greenhouses, etc.
- Check that all nuts and bolts are tight and equipment is in good condition before each use.

## Operation Safety

- Never allow children or young teenagers to operate the tiller.

## **⚠ WARNING**

- Keep area of operation clear of all bystanders, particularly small children and pets.
- Only allow responsible individuals, who are familiar with the instructions, to operate the tiller.

## **⚠ WARNING**

- Do not operate the tiller while under the influence of alcohol, drugs, or other medication which can cause drowsiness or affect your ability to operate this machine safely.
- Do not use this machine if you are mentally or physically unable to operate the machine safely.
- Always wear ANSI compliant safety goggles or safety glasses with side shields when operating tiller to protect your eyes from foreign objects, which can be thrown from the unit.
- Wear appropriate clothing such as a long sleeved shirt or jacket. Also wear long trousers or slacks. Do NOT wear shorts. Do NOT wear loose clothing, which could get caught in this equipment.
- Always wear work gloves and sturdy footwear such as leather work shoes or short boots. These will protect ankles and shins from small sticks, splinters, and other flying debris, and improve traction.
- It is advisable to wear protective headgear to protect against being struck by small flying particles, or being struck by low hanging branches, twigs, or other objects, which may be unnoticed by the operator.

# Important Safety Information (Continued)

- Save all instructions

## Operation Safety (Continued)

### ⚠ WARNING

- Do not put hands or feet near or under rotating parts.
- Exercise extreme caution when operating on or crossing gravel drives, walks, or roads. Stay alert for hidden hazards or traffic.

### ⚠ WARNING

- Exercise caution to avoid slipping or falling. Always be sure of your footing; keep a firm hold on the handle and walk; never run. Never operate the tiller at high transport speeds on slippery surfaces.
- Never operate the tiller without good visibility or light.

### ⚠ DANGER

- Do not run the engine indoors or inside a closed area. The exhaust fumes are dangerous, containing CARBON MONOXIDE, an ODORLESS AND DEADLY GAS.
- Never leave the tiller unattended when the engine is running. Stop the engine and make sure all moving parts have stopped. Remove the wire from the spark plug.
- Watch for holes, ruts, bumps, or other rough ground. Tall grass can hide obstacles.
- Always look behind and down and use caution when using reverse or pulling the tiller towards you.
- Never attempt to start the tiller unless both wheels are in the locked position. This acts as a brake for the tiller. Always start the tiller on the level surface.

### ⚠ WARNING

- Disengage clutch lever and stop engine before leaving the tiller in operating position. Wait until the tines come to a complete stop before removing debris or making any adjustments to the tiller.

### ⚠ CAUTION

- Do not attempt to till hard soil, till too deep or till at too fast a rate that can overload the tiller.
- If the tiller should start to vibrate abnormally, stop the engine, disconnect the spark plug wire and prevent it from touching the spark plug. Check immediately for the cause. Vibration is generally a warning of trouble.

## Fuel Safety

### ⚠ WARNING

- Gasoline is extremely flammable, and gasoline vapors can explode if ignited. Handle with care.
- Use an approved container.
- Check fuel supply before each use, allowing space for expansion as the heat of the engine and/or sun can cause fuel to expand.
- Fill fuel tank outdoors with extreme care. Never fill fuel tank indoors.
- Never remove gas cap or add fuel with the engine running. Allow engine to cool before refueling.

### ⚠ WARNING

- Do not smoke while refueling.
- After refueling, replace fuel tank cap securely and wipe up spilled fuel.
- Never store fuel or tiller with fuel in the tank inside a building where fumes may reach an open flame.
- Never fill gasoline containers or the tiller fuel tank inside of a vehicle or in a truck bed. Accidental electrical static discharge can ignite fuel vapors which could result in serious injury or death.

## Storage Safety

- Always refer to the operator's manual instructions for important details if the tiller is to be stored for an extended period.
- Never store the tiller with fuel in the fuel tank inside a building where ignition sources are present such as water heaters, space heaters, clothes dryers, etc.

# Important Safety Information *(Continued)*

- **Save all instructions**

## **Storage Safety (Continued)**

- To reduce fire hazard, keep tiller free of grass, leaves, or other debris build-up.
- Allow the engine to cool before storing in any enclosure.

## **Repair, Maintenance, and Adjustment Safety**

- After striking a foreign object, stop the engine. Remove the wire from the spark plug and keep the wire away from the plug to prevent accidental starting. Thoroughly inspect the tiller for any damage. If damaged, have the equipment repaired by a trained technician before restarting and operating.

### **⚠ WARNING**

- Stop the engine before cleaning, repairing, or inspecting the unit. Make sure all moving parts have stopped. Let the engine cool, disconnect the spark plug wire and move it away from the spark plug.
- Never attempt to make any adjustments while the engine is running except when specifically recommended by the manufacturer.
- Keep the tiller in safe working condition. Check all fasteners at frequent intervals for proper tightness.
- When servicing or repairing the tiller, do not tip the machine over or up unless specifically instructed to do so in this manual. Service and repair procedures can be done with the tiller in an upright position. Some procedures will be easier if the machine is lifted on a raised platform or working surface.
- Use only original equipment or authorized replacement parts.

### **⚠ WARNING**

- Never tamper with safety devices. Check their proper operation regularly.
- Do not change the engine governor setting or over-speed engine.
- Clean and replace safety and instruction decals as necessary.
- To guard against engine over-heating, always have engine debris filter mounted and clean.

## **Children Safety**

### **⚠ WARNING**

- Tragic accidents can occur if the operator is not alert to the presence of children. Children are often attracted to the tiller and the tilling activity.
- Keep children out of the tilling area and under the watchful care of a responsible adult.
- Never assume that children will remain where you last saw them.
- Be alert and turn tiller off if children enter the area.
- Before and while moving backwards, look behind and down for small children.
- Never allow children to operate the tiller.
- Use extra care when operating near blind corners, shrubs, trees, or other objects that may obstruct vision.

# Product Specifications

• Save all instructions

Unit Weight	154 lb (70 kg)	Spark Plug Gap	0.020-0.028 in (0.5-0.8 mm)
Tilling Width	18 in (45.7 cm)	Engine Type	OHV 4-stroke
Tilling Depths	up to 8"	Engine Displacement	212cc
Tine Diameter	11 in (27.9 cm)	Engine Speed (Full Throttle)	3600 rpm
Gasoline Type	Regular Unleaded/87 Octane (min.)	Engine Speed (Idle)	2100 rpm
Gasoline Capacity	3.8 US qt. (3.6 L)	Torque Rating	10.3 ft-lbs gross torque per SAE J1940
Engine Oil Type (API SG-SL)	10W-30 is recommended for all service temperatures. See page (10) for additional information.	Bore Diam. x Stroke	2.76 x 2.17 in (70 x 55 mm)
Engine Oil Capacity	19 US oz (550 ml)	Intake Valve Clearance	0.003 - 0.005 in (0.08 - 0.12 mm)
Transmission Oil Type	SAE 85W-140 / 90W-140	Exhaust Valve Clearance	0.006 - 0.008 in (0.16 - 0.20 mm)
Transmission Oil Capacity	30 US oz (900 ml)	Angle of Ignition	25 degrees
Spark Plug	Torch F7RTC	Tire Size	13x5.00-6 Directional Tractor Tread
		Tire Pressure	25 psi min/30 psi max

## Parts & Features

1. Tines
2. Tine Shield
3. Wheels
4. Wheel Lock Pins
5. Muffler
6. Air Filter
7. Recoil Starter Handle
8. Spark Plug / Spark Plug Wire
9. Depth Regulator Bar
10. Throttle Control
11. Fuel ON/OFF Valve
12. Choke Control
13. On/Off Switch
14. Fuel Tank Cap
15. Oil Dipstick
16. Forward Lever
17. Reverse Lever
18. Front Guard

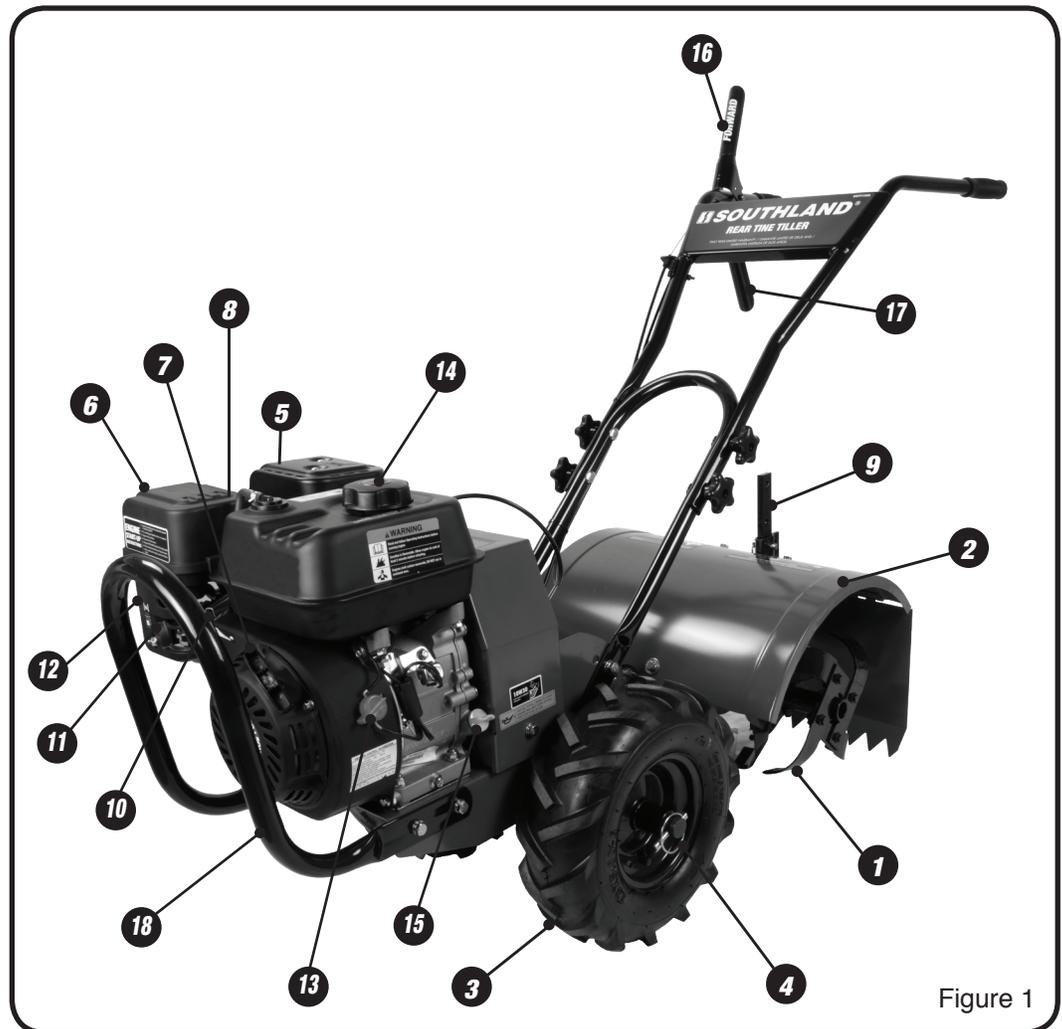


Figure 1

# Safety Decals

## • Save all instructions

This tiller has been designed and manufactured to provide you with the safety and reliability you would expect from an industry leader in outdoor power equipment manufacturing.

Although reading this manual and the safety instructions it contains will provide you with the necessary basic knowledge to operated this equipment safely and effectively, we have placed several safety labels on the tiller to remind you of this important information while you are operating the unit.

These important safety labels are illustrated below, and are shown here to help familiarize you with the location and content to the safety messages you will see as you perform normal tilling operations. Please review these labels now. If you have any questions regarding their meaning or how

to comply with these instructions, reread the complete safety instruction text on the preceding pages, or contact your local dealer.

Should any of the safety labels become unreadable because of being worn, faded, or otherwise damaged during the use of your tiller, please contact your local authorized dealer to order replacement labels.

The safety labels are easily applied, and will act as a constant visual reminder to you and others who may use the equipment. Following the safety instructions is necessary for safe, effective operation of your tiller.

<b>⚠ WARNING</b>	
<b>AVOID SERIOUS INJURY OR DEATH.</b>	
 <ul style="list-style-type: none"> <li>• Read and follow operator's manual.</li> <li>• Know location and functions of all controls.</li> <li>• Keep all safety devices and shields in place and working.</li> </ul>	 <ul style="list-style-type: none"> <li>• Keep away from rotating parts.</li> <li>• Use extreme caution when reversing / pulling the machine towards you.</li> </ul>
 <ul style="list-style-type: none"> <li>• Never allow children or un instructed adults to operate machine.</li> <li>• Keep bystanders away from machine.</li> </ul>	 <ul style="list-style-type: none"> <li>• Shut off engine before manually unclogging tines or making repairs.</li> </ul>

<b>⚠ WARNING</b>	
	<ul style="list-style-type: none"> <li>• Keep away from rotating tines.</li> <li>• Contact will result in injury.</li> </ul>

<b>FORWARD</b>	<b>REVERSE</b>
----------------	----------------

<b>⚠ WARNING</b>	
	<b>Read and follow Operating Instructions before running engine.</b>
	<b>Gasoline is flammable. Allow engine to cool at least 2 minutes before refueling.</b>
	<b>Engines emit carbon monoxide, DO NOT run in enclosed area.</b>

<b>TO ENGAGE TRANSPORT MODE</b>	
<ol style="list-style-type: none"> <li>1. Remove pin</li> <li>2. Slide wheel <i>towards</i> frame</li> <li>3. Insert pin through the hole on the wheel axle and rotate ring to secure</li> </ol>	

<b>⚠ WARNING</b> 	
<ul style="list-style-type: none"> <li>• Gasoline is flammable. Allow engine to cool at least 2 minutes before refueling.</li> <li>• Operation of this equipment may create sparks that can start fires around dry vegetation. A spark arrestor may be required. The operator should contact local fire agencies for laws or regulations relating to fire prevention requirements.</li> </ul>	

<b>ENGINE START-UP INSTRUCTIONS</b>	<ol style="list-style-type: none"> <li>1. Insert the locking pin to secure the wheels in locked position.</li> <li>2. Turn the Engine Switch to the "ON" position.</li> <li>3. Move the Fuel Valve lever to the "ON" position.</li> <li>4. Move the Choke lever to the "START" position.</li> <li>5. Adjust the Throttle Control to the high speed.</li> <li>6. Pull the Starter Handle until engine starts</li> <li>7. After starting the engine, move the Choke lever to the "RUN" position.</li> </ol>
-------------------------------------	---

# Assembly

• Save all instructions

Read and follow the assembly instructions. Do not discard any parts or materials until the unit is assembled. References to the right or left side of the tiller are from the viewpoint of the operator's position behind the tiller.

## ⚠ WARNING

Do not operate tiller if it is damaged or not completely and correctly assembled.

## ⚠ WARNING

Before doing any assembly or maintenance to the unit, remove the wire from the spark plug.

## ⚠ WARNING

Always wear ANSI compliant safety glasses with side shields while assembling the tiller.

The following components will be found in the carton. Quantities shown in ( ).

1. (1) Tiller
2. (1) Handle Assembly
3. (1) Depth Regulator Bar
4. (1) Tiller Operator's Manual
5. (1) Engine Manual
6. (1) Bottle of Engine Oil
7. (1) Parts bag containing the following:
  - a. (2) M10x25 mm flange head bolts, lock washers and nuts for assembling lower handle
  - b. (4) M8x50 mm saddle bolts and washers for assembling upper handle
  - c. (4) Handle knobs for assembling upper handle
  - d. (2) Wheel locking pins
  - e. (1) Pin
8. (2) Wheel and tire assemblies
9. (1) Front Guard

## **A** How to Remove Tiller from Carton

1. Remove all parts and packaging components.
2. Use a utility knife to cut all four vertical edges and lay the side panels flat around the tiller.
3. Remove any remaining packaging.

## **B** Assembly Instructions

The tiller comes fully assembled except for a few parts. The following instructions will help you complete the tiller assembly.

### **Install the Wheels** (See Figure 2)

1. Assure cupped washer is installed onto wheel axle.
2. The tiller wheels are directional. For best performance install the wheels with the tire thread facing the direction as shown.

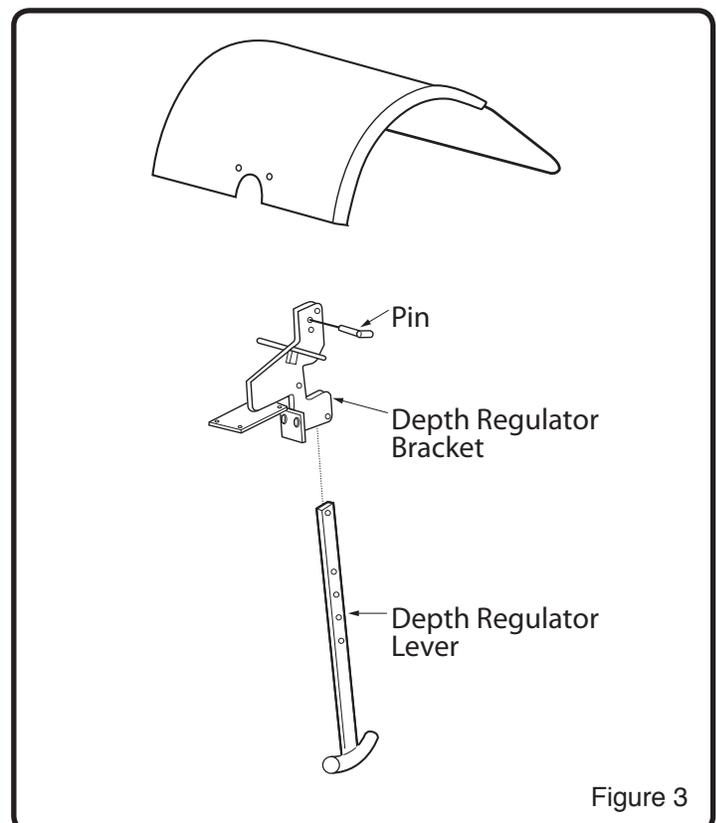
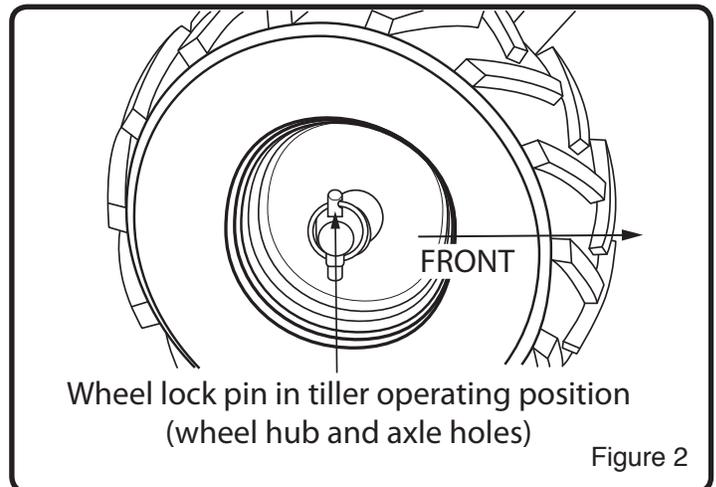


If you need assistance or find any parts missing, CALL TOLL FREE: 1-800-737-2112.

3. Slide the wheel hub onto the wheel axle.
4. Align the wheel hub hole with the hole in the axle and insert the locking pin.
5. Rotate the locking pin ring to lock the pin in position.

### **Install the Depth Regulator** (See Figure 3)

1. Insert the depth regulator into the bottom of the depth regulator bracket.
2. Insert the pin through the bracket and lever.





# Assembly (Continued)

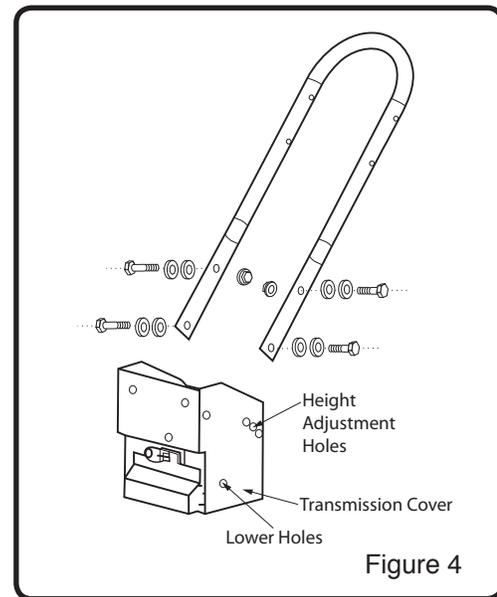
• Save all instructions



If you need assistance or find any parts missing, CALL TOLL FREE: 1-800-737-2112.

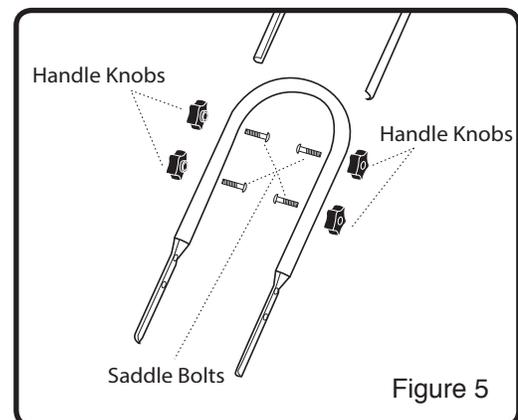
## Attach Lower Handle (See Figure 4)

1. Loosen the lower handle bolts, if required.
2. Align the lower handle holes to the middle height adjustment holes in the transmission cover and install the M10 X 25mm bolts, flat washers, lock washers and nuts. Tighten all four bolts at this time.



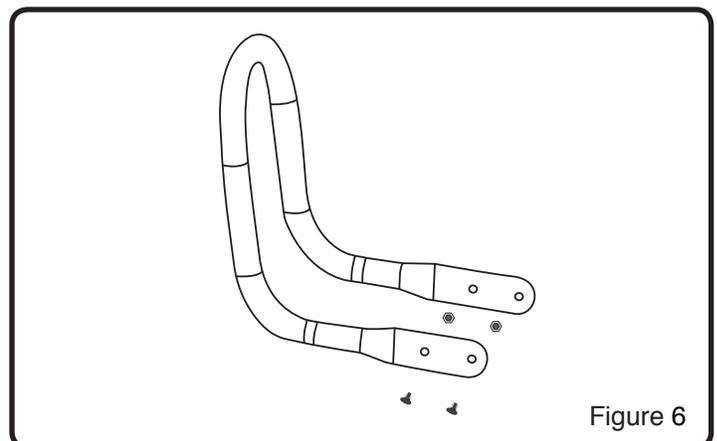
## Attach Upper Handle (See Figure 5)

1. Slide the upper handle down over the lower handle and align the holes.
2. Insert the saddle bolts into the holes as shown and secure with the handle knobs.
3. Tighten the handle knobs securely.
4. Secure control cables to handle using cable ties.



## Install Front Guard (See Figure 6)

1. Install guard using four M8 x 20 mm hex head bolts, split lock washers, flat washers and nuts.



# Engine Preparation (Continued)

• Save all instructions

## A Engine Oil

### NOTICE

Engine shipped without oil. Failure to add oil will result in serious engine damage.

A bottle of engine oil is included with your tiller. Refer to the chart on the right for alternative oil types to use at different temperatures. Always use a high quality detergent oil classified "For Service, SG, SH, SJ" or higher. Do NOT use special additives.

### NOTICE

Always use recommended oil type. Using dirty oil or incorrect oil type such as 2-stroke engine oil will shorten engine life.

**NOTE:** Engine Oil Capacity is 19 oz. (550 mL).

### How to Check Oil Level and Fill to Proper Level

#### ⚠ WARNING

Before checking oil, make sure engine is off, and spark plug wire has been disconnected from spark plug.

1. Place the tiller on a level surface and make sure the depth regulator lever is set so the main frame of the tiller is level. (See Figure 6)
2. Remove the oil fill cap/dipstick and wipe clean with cloth. (See Figure 6)
3. Insert dipstick into fill spout but do NOT screw in. Remove dipstick and check oil level.
4. When oil level is full, the oil will be at upper limit on dipstick. If oil level is near or below the lower limit, oil must be added. (See Figure 7)
5. Add oil slowly until the oil level reaches the upper limit of the dipstick. Use a funnel or nozzle to reduce spillage.

### NOTICE

Frequently check oil level while filling. DO NOT OVERFILL. DO NOT UNDER FILL. Running engine at improper oil level will seriously damage engine.

6. Replace and tighten dipstick.
7. Clean up any spilled oil.

**NOTE:** The transmission comes from the factory with the proper amount and type of gear oil.

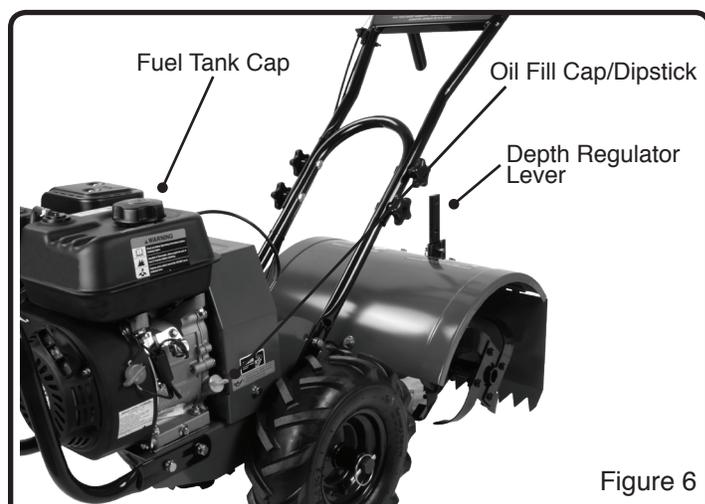
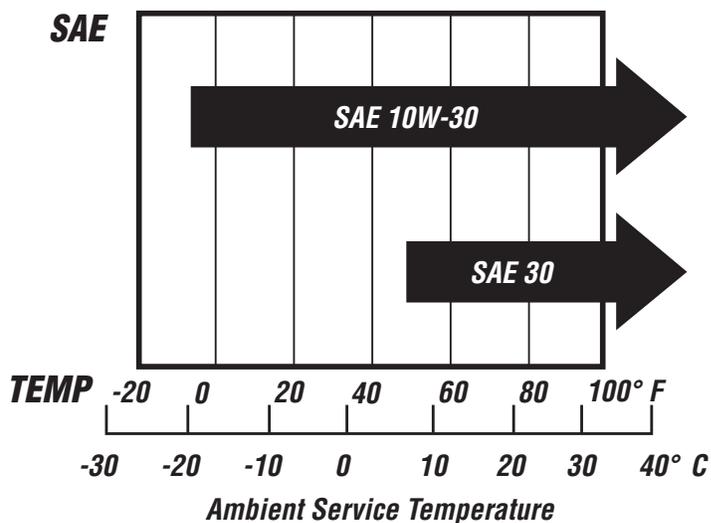


Figure 6

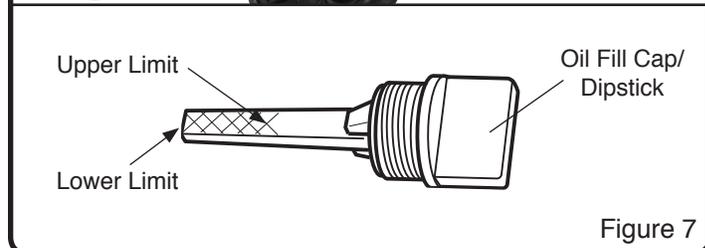


Figure 7

# Operation

• Save all instructions

## **A** Pre-Start Inspection

1. Make sure all safety guards are in place and all nuts and bolts are secure.
  - A. Verify the air pressure in both tires is 25 - 30 psi before each use.
2. Check oil level in engine crankcase. See your engine manual for procedure and specifications.
3. Inspect air cleaner for cleanliness. See your engine manual for procedure.
4. Check the fuel supply. Use fresh unleaded gasoline with an octane rating of 87 or higher. Do not use gasoline containing more than 10% ethanol. Use of non-ethanol fuel is best. We recommend the continuous use of a fuel additive /stabilizer to counteract the effects of ethanol. These additives also prolong the shelf life of gasoline. Fill the fuel tank no closer than 1 inch from top of tank to provide space for expansion. See your engine manual for fuel recommendations.
5. Be sure spark plug wire is attached and spark plug is tightened securely.
6. Check position of wheels and wheel lockouts.
7. Check depth regulator lever position.
8. Examine underneath and around engine for signs of oil or fuel leaks.
9. Inspect fuel hoses for tightness and fuel seepage.
10. Look for signs of engine damage.
11. Remove excessive debris from muffler area and recoil starter.

### **CAUTION**

Please do not start your tiller until you have read the manual that came with your tiller, and the sections in this manual tiller controls, adjustments and safety. If you have read these, follow the steps below to start your tiller. Always perform this pre-start checklist before starting the engine.

### **WARNING**

Gasoline is highly flammable and must be handled with care. Never fill the tank when the engine is hot or running. Always move outdoors to fill tank.

Wheels must always be locked in the tilling position when engine is running. Do not operate the tiller with the wheel lockouts unlocked. Always set the wheels in tilling position before starting engine.

Always put depth regulator lever in the transport position before starting engine. Tines should clear ground.

### **DANGER**

Always keep hands and feet clear of rotating machine parts.

**IMPORTANT: Engine is shipped from factory without oil. You must add engine oil before starting engine.**

## **B** Start-Up

The controls required to start and run the tiller are located on the engine and are marked with the icon for choke, slow and fast for the throttle, and on/off fuel valve. A more detailed description of engine operation and all related precautions and procedures can be found in the engine manufacturer's manual that accompanies each tiller.

### **Cold Starts**

1. Turn the Engine Switch to the "on" position.
2. Move the Fuel Valve lever to the right for "on" position.
3. Move choke lever to the left for full choke "start" position.
4. Move throttle lever to "start" or "fast" position.
5. Pull starting rope out slowly one time and allow to return normally.
6. Pull starting rope out rapidly, and allow rope to return normally.
7. When engine starts, gradually move choke lever to "run" position and increase throttle speed.

### **Restarting a Warm Engine**

Restarting an engine that is already warm from previous running does not normally require use of the choke.

1. Move throttle lever to "start" position or "fast" position.
2. Pull starting rope out rapidly until engine starts. Allow rope to return normally. Repeat until engine starts.
3. Adjust throttle speed to "fast" for best tiller performance.

# Operation *(Continued)*

• Save all instructions

## **Idle Speed**

Use the “slow” position on the throttle lever to reduce stress on the engine when tilling is not being performed. Lowering the engine speed to “idle” will help extend the life of the engine, as well as conserve fuel and reduce the noise level of the equipment.

## **Operating Speed**

For normal tilling, set the throttle lever to “fast”.

## **Shutting Down**

To stop the engine at any time, turn engine on/off switch to the off position. To stop wheels and tines at any time, release drive safety control levers to neutral position.

## **Tilling**

1. Adjust the depth regulator lever to desired tilling depth.

### **⚠ WARNING**

Raise depth regulator up one hole at a time, testing tiller operation after each raise. Raising depth regulator too high can result in loss of control of tiller!

2. Move the throttle control to fast.

3. Place the tiller in forward by pushing down on the drive safety control lever (**FORWARD**)--this will engage the wheels and tines.

**NOTE:** You can slow the tiller’s forward advance at any time by putting slight downward pressure on the handlebars. You can stop the tiller by releasing the drive safety control levers to the neutral position.

### **NOTICE**

Always press the forward or reverse drive levers down completely onto the handle bar. Failure to do so may result in excessive drive belt wear and premature drive belt failure.

### **⚠ WARNING**

Temperature of muffler and nearby areas may exceed 150°F. Avoid these areas. Do not move choke control to stop engine, backfire or engine damage may occur. To stop wheels and tines at any time, release drive safety control levers to neutral position. Always release drive safety control levers to neutral position AND STOP THE ENGINE before adjusting the depth of the regulator lever.

### **⚠ DANGER**

Engine and surrounding parts become extremely hot during normal use and will cause serious burn injuries if touched before the engine has cooled. Allow engine to cool completely before touching these hot surfaces.

**IMPORTANT: practice operating the controls and tiller with tines out of ground before beginning to till. It is important that you know how to use the tiller properly, keep control at all times, stop the tines and wheels from turning, and stop the engine if necessary. If you do not know how to do these things, read the controls, adjustments and safety sections before proceeding.**

## Operation (Continued)

• Save all instructions

### **G** Drive Safety Control Levers

#### **CAUTION**

Do not operate both “FORWARD” and “REVERSE” drive safety control levers at the same time. This information is provided here only to introduce the controls. Do not start the engine at this time. Starting and operating instructions are given on page 11. Please read this section and all operating and safety instructions before starting your tiller.

As a safety precaution, the drive safety control levers will not lock in the forward or reverse position.

#### **WARNING**

Do not fix the forward or reverse drive levers in the drive position by any other means than manually using your right hand. Do not tie or otherwise secure the levers in the drive position.

To stop the wheels and tines at any time release the drive safety control levers.

#### **Forward Lever** (See Figure 9)

**Engages wheels and tines into forward.** Pushing down the drive safety control lever (**FORWARD**) toward the handlebar engages the wheels and tines. Releasing the lever stops the wheels and tines and brings the tiller to a complete stop.

#### **Reverse Lever** (See Figure 10)

**Engages wheels and tines into reverse.**

Pulling the drive safety control lever (**REVERSE**) toward the handlebar reverses the tiller. Releasing the lever stops the wheels and tines.

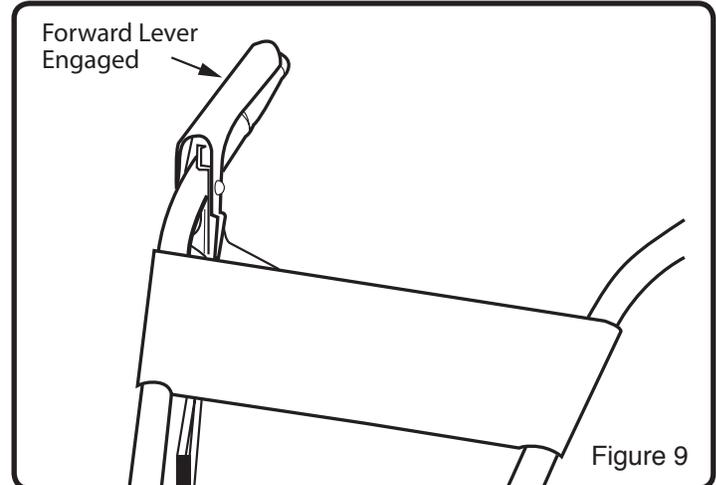


Figure 9

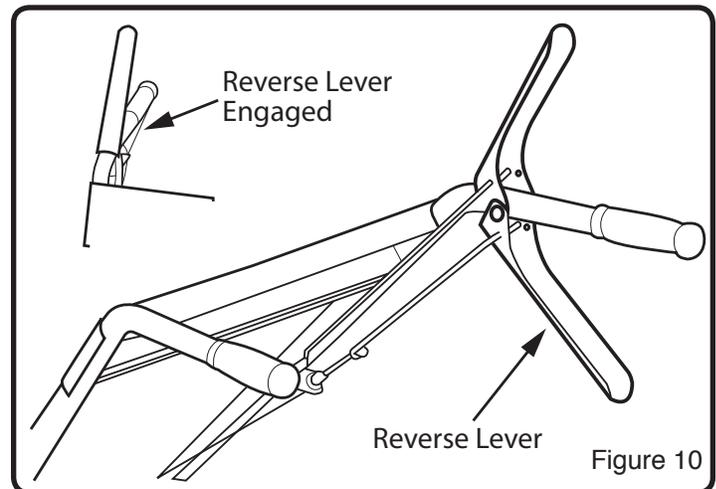


Figure 10

# Operation (Continued)

• Save all instructions

## H Adjustments

### ⚠ WARNING

Engine should be off before adjusting any controls.

Extreme caution should be used when operating tiller in the reverse direction.

**Wheel Lock Pins** (See Figures 2 on pg. 8 and 11)

#### Place wheels in tilling position.

1. Remove lock pin. Align hole in axle with hole in wheel hub.
2. Insert lock pin through holes, fold lock pin ring to secure pin to axle.
3. Firmly lock wheel and axle together before tilling.
4. Repeat for other wheel.

### ⚠ WARNING

Always have both wheel lock pins in or out. Do not operate tiller with only one wheel locked.

#### To place wheels in free-wheel position.

1. Remove lock pin. Slide wheel inward toward machine.
2. Insert pin in axle only, fold lock pin ring to secure pin to axle.
3. Wheel should turn freely on axle.

**Handlebar Height Adjustment** (See Figure 4 on pg. 9)

#### Adjust handlebar height.

The ideal height of the handlebar varies with operator height and the depth of tilling. **To adjust handlebar height:**

1. Unscrew nuts and remove top bolts on each side.
2. Loosen the lower bolts. Do not remove.
3. Align handlebar to desired holes on the lower handlebar mount.
4. Install bolts and nuts. Retighten all four bolts securely.

**Depth Regulator** (See Figure 3 on pg. 8)

#### Tilling depth is controlled by the height of the depth regulator. To adjust tilling depth:

1. Remove pin.
2. Raise the depth regulator to position tines at chosen tilling depth.
3. Align hole in depth regulator with hole in depth regulator bracket and replace pin.

**Depth Regulator Down** = Shallower tilling.

Place the pin in the top hole of the depth regulator for shallowest tilling.

**Depth Regulator Up** = Deeper tilling.

Place the pin in the bottom hole of the depth regulator for deepest tilling.

### ⚠ WARNING

Do not adjust tilling depth unless drive safety control levers are released to neutral position.

Always set the depth regulator in the transport position before starting engine, that is, place the detent pin in the highest hole of the depth regulator.

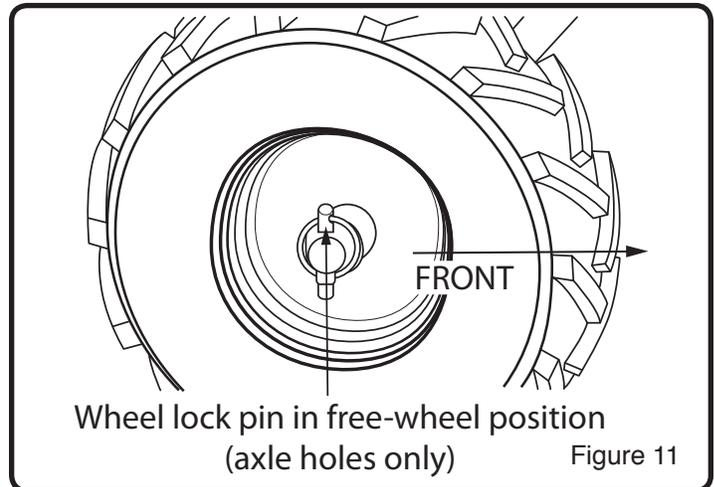


Figure 11

# Operation (Continued)

## • Save all instructions

### **I** Tilling Tips

The key to successful tilling is to begin with a shallow cut on the first pass, and then work an inch or two deeper on each successive pass.

- Tilling depth will vary with ground conditions.
- When beginning to till in unbroken ground or in extremely hard soil, set the pin in the highest hole of the depth regulator (follow instructions under Tilling section). This will allow for shallow tilling. With the depth regulator in this position, make several light passes over the area to be tilled. Reset for deeper depths with successive passes.
- If tiller jumps or skids uncontrollably, lower the depth regulator by placing the pin in a higher hole. This will allow for shallower tilling. Hold firmly to the handlebars to control sudden lurches.
- If weeds, tall grasses, vines, or other materials clog or jam the tines, reverse the tiller to unwind vegetation.

### **⚠ WARNING**

Immediately release the drive control levers if the tines jam or you strike a foreign object. With drive control levers in neutral position, stop the engine. Disengage the spark plug wire. When tines have stopped, remove foreign objects and check for damage.

### **⚠ WARNING**

Extreme caution must be taken in selecting tilling depth. If you attempt to till too deeply for soil conditions (with the depth regulator lever in too high a position) loss of control could result.

If removing material from the tines by hand, stop engine and remove spark plug wire first.

### **J** Cultivating Tips

If you plan to use your tiller for cultivating:

- Plant rows on 20" - 22" centers for ease of turning.
- Set the depth regulator lever with the detent pin in one of the higher holes. This will allow for shallow cultivation necessary to turn over weeds, and break up and aerate the soil.

# Maintenance

• Save all instructions

## **A** Maintenance Schedule

### **⚠ WARNING**

Before performing any maintenance, turn engine off and remove the wire from the spark plug to prevent accidental starting and serious injury.

**IMPORTANT:** The warranty on this tiller does not cover items that have been subjected to operator abuse or negligence. To receive full value from the warranty, the operator must maintain the tiller as instructed in this manual, and only use genuine replacement parts. The following table lists required periodic maintenance.

### PERIODIC MAINTENANCE SCHEDULE TABLE

<b>Service Records- Fill in dates as you complete regular service</b>	<b>Before Each Use</b>	<b>After Every 10 Hours of Use</b>	<b>After Every 25 Hours of Use</b>	<b>After Every 50 Hours of Use</b>	<b>After Every 100 Hour of Use</b>	<b>Before Each Season</b>	<b>Before Storage</b>	<b>See Note Below</b>
Check air pressure in tires.	√							
Check Engine Oil Level, Fill to Proper Level	√					√		
Clean Debris From Unit	√					√	√	
Lubricate All Pivot Points		√				√	√	
Check Fasteners for Tightness		√				√		<b>1</b>
Check Drive Belts Replace if Necessary		√				√		
Check Tines for Wear or Damage Replace if Necessary		√				√		
Check Fuel Line Replace if Necessary			√			√		
Lubricate Wheel Axles			√			√	√	
Check Spark Plug Replace if Necessary			√			√		
Change Engine Oil				√		√	√	<b>2,3</b>
Clean Air Filter Replace if Necessary			√			√		<b>4</b>
Replace Spark Plug					√			
Clean Combustion Deposits from Cylinder, Piston, and Valves					√			
Check Transmission Oil			√			√		

### **⚠ CAUTION** Important notes about maintenance schedule:

1. Re-check tightness of all fasteners after first 2 hours of initial use
2. Change engine oil after first 5-8 hours of initial use
3. Change oil every 25 hours if operating under heavy load or in high temperatures
4. Clean air filter every 10 hours if operating under dusty conditions.

### **⚠ WARNING**

Use only GENUINE replacement parts. Other parts may damage the unit or result in injury.



# Maintenance (Continued)

• Save all instructions

## **B** Servicing the Tiller

The following information will help you make the necessary checks and perform the procedures required to follow the normal care recommendations made for your tiller unit. If you prefer, your local authorized dealer can make these checks and perform the required procedures for you.

### **⚠ WARNING**

To prevent accidental starting:  
Engine must be turned off and cool. The spark plug wire must be removed and secured from spark plug before checking and adjusting engine or equipment.

### **Change Forward/Reverse Belts**

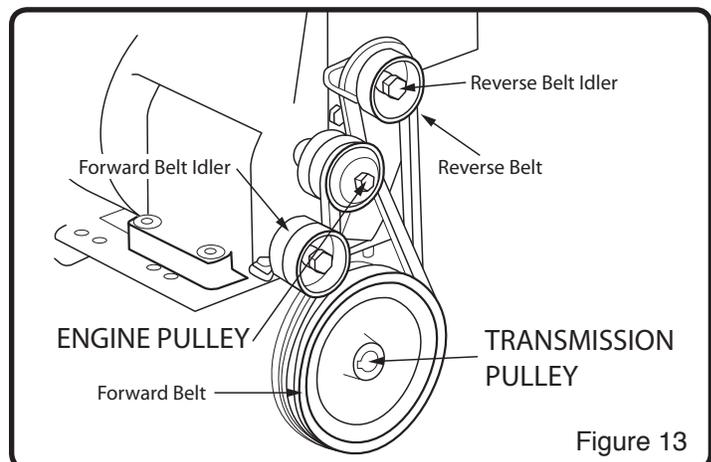
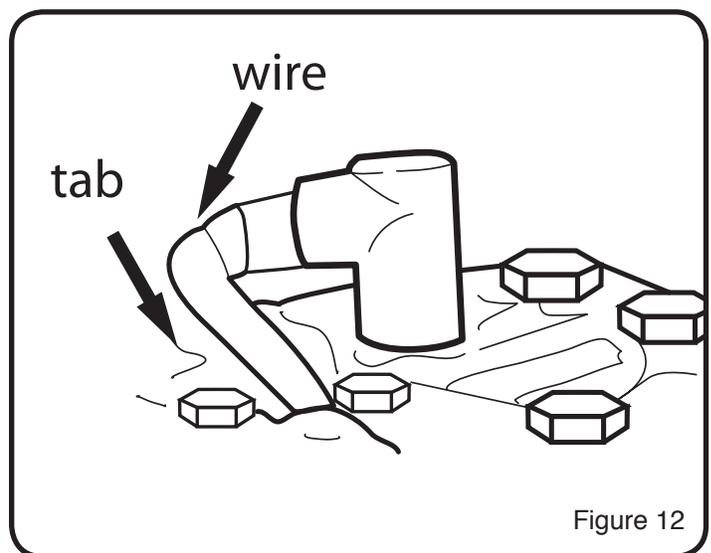
(See Figure 12 and 13)

1. Turn off engine. Engine must cool completely before proceeding.
2. Remove spark plug wire and secure away from spark plug.
3. Reduce the belt tension by loosening the forward and reverse cable lower jam nut.
4. Remove the upper and lower belt guards.
5. To remove the reverse drive belt:
  - a. Remove the reverse belt idler.
  - b. Slide the belt free of the reverse belt guides and engine pulley.
  - c. Pull belt down and away from the transmission pulley.
6. To remove the forward drive belt:
  - a. Remove the two forward belt guide studs and forward belt idler assembly.
  - b. Slide the belt free of the engine pulley.
  - c. Pull the belt down and away from the transmission pulley.
7. To install the forward drive belt:
  - a. Insert the belt from underneath the unit and up around the rearward portion on the engine pulley.
  - b. Place the lower loop of the belt around the rearward portion of the transmission pulley.
  - c. Replace the two forward belt guide studs and forward belt idler assembly.
8. To install the reverse drive belt:
  - a. Insert the belt from underneath the unit and up around the reverse belt idler.
  - b. Place the lower loop of the belt around the forward portion of the transmission pulley.
  - c. Replace the reverse belt idler into the reverse belt idler bracket. The belt should not go around the engine pulley. Be sure the belt is inside of the reverse belt guide studs.
9. Tighten the forward and reverse lower jam nut.
10. Check the belt tension. The belts should be loose with the drive levers disengaged.

11. Replace the upper and lower belt guards.
12. Re-attach the spark plug wire to the spark plug.
13. Follow Operating Instructions – start the engine and operate the forward drive lever to check for proper cable adjustment and belt tension.
14. Start the engine and operate the reverse drive lever to check for proper cable adjustment and belt tension.

### **⚠ WARNING**

The tines or wheels should not rotate with the engine running, the depth regulator set at transport height (lowest height) and the drive lever not engaged.



# Maintenance (Continued)

• Save all instructions

## **C** Engine Maintenance

### Engine Maintenance

Refer to the engine manual included in your parts packet for information on engine maintenance. Your engine manual provides detailed information and a maintenance schedule for performing the following tasks:

1. Check oil level before each use or after every 8 hours of operation.
2. Change oil after first 5-8 hours of operation. Change oil while engine is warm. Refill with new oil of recommended grade.
3. Check spark plug yearly or every 100 hours of operation.
4. Service air cleaner.
5. Keep engine and parts clean.
6. Check engine and equipment often for loose nuts and bolts, keep these items tightened.

### Check or Fill Engine Crankcase

**IMPORTANT:** Engine is shipped from factory without oil. You must add engine oil before starting engine.

1. Add oil according to engine manual. **Do not overfill.** Use a clean, high quality detergent oil. **Do not mix oil with gasoline.** Oil level must be full. Check the oil level by removing oil fill plug.
2. Always check oil level before starting engine. Refer to engine manual for capacity and type of oil to use.

### Check Tiller Transmission Oil

**IMPORTANT:** Tiller transmission is shipped from factory with the proper amount of oil. When replacing oil, the tiller transmission holds 27-30 ounces. Do not overfill.

Check the oil level annually. To check the oil level:

1. Move tiller to level ground.
2. Remove oil level dipstick located between the handlebar mounts on the engine mount. If the oil level is near or below the lower limit, fill the oil to recommended level with SAE 85W-140 / 90W-140.
3. Replace oil level dipstick in the filler hole.
4. Note that the drive wheel transmission and rear tine transmission are one common reservoir. When you add to the front transmission, you must wait a short period of time for the oil to flow rearward and equalize in both front and rear. The dipstick will read correctly on level ground for both gear units.

### Check Tire Pressure

Recommended tire pressure is 25-30 PSI. If tires do not have equal pressure, tiller will pull to one side. Low tire pressure may result in damage to tire tube.

### Lubrication

Proper lubrication of moving mechanical parts is critical for proper care and maintenance. Oil the moving parts shown at 10 hour intervals using a 30 weight oil.

### Clean Tine Axle Shaft

1. Turn off engine. Engine must be cool.
2. Remove spark plug wire and secure from spark plug.
3. Tip the tiller forward. Block the tiller in position so that it rests on the engine mount and the tines are exposed.
4. Remove all vegetation, string, wire, and other material that may have accumulated on the axle between the inside set of tines and the seal cover on the transmission housing.
5. Tip the tiller back to a level position.
6. Replace spark plug wire.

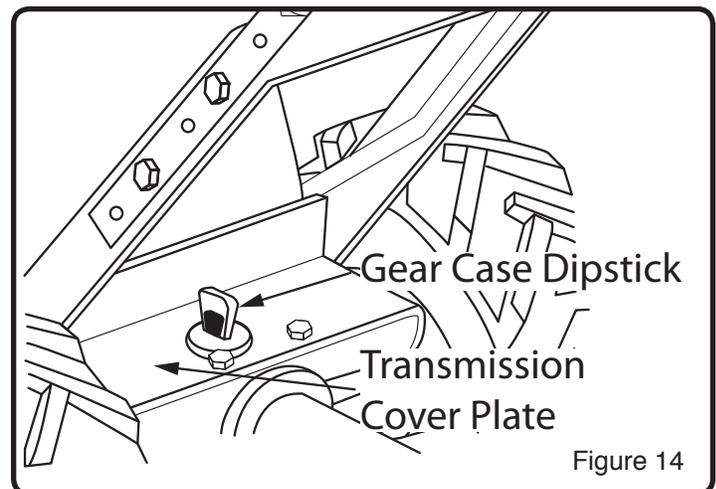


Figure 14

# Maintenance *(Continued)*

• Save all instructions

## **D** How to Prepare for Storage

### **⚠ WARNING**

Never store the tiller indoors with fuel in the fuel tank. Never store in an enclosed, poorly ventilated area where fumes could reach an open flame, a spark or a pilot light as on a furnace, water heater or clothes dryer. Allow engine to cool before storing unit.

### **⚠ WARNING**

Do not remove gasoline while inside a building, near a fire, or while you smoke. Gasoline fumes can cause an explosion or a fire.

**NOTE:** A yearly checkup or tune-up at an authorized service center will make sure that the tiller will provide maximum performance for the next season.

When the tiller is put in storage for thirty days or more, the following steps should be followed to make sure the tiller is in good condition the next season. To prevent fuel gum deposits and corrosion in the unit's carburetor and fuel system, it is highly recommended to use a fuel additive/stabilizer formulated for ethanol fuels. Follow the stabilizer manufacturer's instructions. Run the engine for at least 5 minutes after adding stabilizer.

1. Let the engine run until it is out of gasoline. Remove the carburetor screw from bowl and drain fuel. Tilt unit slightly to remove all fuel. Replace screw.
2. Change the oil by following instructions under "How to Change the Oil."
3. Remove the spark plug from the cylinder. Pour one ounce of oil into the cylinder. Slowly pull the recoil-start handle so that the oil will protect the cylinder. Install a new spark plug in the cylinder. Pull starter handle slowly a few times to distribute oil. Pull recoil slowly until resistance is felt. This will close the cylinder valves.

### **⚠ WARNING**

Do not attach spark plug wire to spark plug when storing unit.

4. Clean tiller. Remove all dirt, leaves, debris, grease, etc. from the tiller - including cylinder cooling fans, recoil starter cover holes, under fuel tank, and under muffler.
5. Check the tiller for worn or damaged parts. Have damaged parts replaced if necessary.
6. Tighten any loose hardware.
7. Apply lubrication as directed in Maintenance section.
8. Put the unit in a building that has good ventilation.
9. Cover the tiller with a breathing material.

## Technical Service

You may have further questions about assembling, operating, or maintaining this TILLER. If so, you can contact our Technical Service Department at 1-800-737-2112 (English only).

You may also write to:

**METL Corporate Office - CORRESPONDENCE ONLY**  
**ATTN: Technical Service – METL**  
**6700 Wildlife Way**  
**Long Grove, IL 60047**

**When contacting the Technical Service Department, have ready:**

- Your Name
- Your Address
- Your Phone Number
- Model Number of Product
- Date of Purchase (include copy of receipt for written requests)
- Date Code on Product



**If you need assistance or have any questions,  
CALL TOLL FREE: 1-800-737-2112.**

# Troubleshooting

• Save all instructions

<b>PROBLEM</b>	<b>POSSIBLE CAUSE(S)</b>	<b>SOLUTION(S)</b>
Engine difficult to start	<ol style="list-style-type: none"> <li>1. Out of fuel</li> <li>2. Engine Switch Off</li> <li>3. Engine is not primed</li> <li>4. Spark plug wire disconnected</li> <li>5. Fouled spark plug</li> <li>6. Dirty Carburetor</li> <li>7. Clogged air filter</li> <li>8. Contaminated Fuel</li> </ol>	<ol style="list-style-type: none"> <li>1. Add fresh fuel</li> <li>2. Turn engine switch on</li> <li>3. Move choke lever to ON position.</li> <li>4. Attach spark plug wire to spark plug</li> <li>5. Remove spark plug. Inspect. Replace if necessary</li> <li>6. Take unit to an authorized service center for Carburetor cleaning</li> <li>7. Remove and clean air filter</li> <li>8. Drain fuel tank. Clean fuel tank. Fill with fresh fuel</li> </ol>
<b>Engine Problems</b> Engine smokes excessively Engine runs very "rough" Engine runs erratically Engine cannot maintain full speed	<ol style="list-style-type: none"> <li>1. No Engine Oil</li> <li>2. Engine oil not at proper level</li> <li>3. Fouled spark plug</li> <li>4. Clogged air filter</li> <li>5. Contaminated Fuel</li> <li>6. Carburetor out of adjustment</li> </ol>	<ol style="list-style-type: none"> <li>1. Add engine oil</li> <li>2. Check engine oil. Add or drain engine oil if necessary</li> <li>3. Remove spark plug. Inspect. Replace if necessary</li> <li>4. Remove and clean air filter</li> <li>5. Drain fuel tank. Clean fuel tank. Fill with fresh fuel</li> <li>6. Take unit to an authorized service center for carburetor adjustment</li> </ol>
Excessive vibration / noise	<ol style="list-style-type: none"> <li>1. Loose parts</li> <li>2. Engine problems (above)</li> <li>3. Abnormal noise or squeal coming from belt drive</li> </ol>	<ol style="list-style-type: none"> <li>1. Tighten all fasteners</li> <li>2. Refer to engine solutions (above)</li> <li>3. Normally due to belt/pulley break in period. Refer to Belt Tension Adjustment section.</li> </ol>
Tines will not rotate	<ol style="list-style-type: none"> <li>1. Debris interfering with tines</li> <li>2. Tines loose</li> <li>3. Improper drive cable adjustment</li> <li>4. Damaged drive belts</li> </ol>	<ol style="list-style-type: none"> <li>1. Remove debris from around tines</li> <li>2. Replace tine bolts and nuts</li> <li>3. Refer to "Belt Tension Adjustment" section to decrease belt tension</li> <li>4. Replace drive belts</li> </ol>
Tines continue to rotate when drive lever is not engaged	<ol style="list-style-type: none"> <li>1. Improper drive cable adjustment</li> <li>2. Damaged drive belts</li> </ol>	<ol style="list-style-type: none"> <li>1. Refer to "Belt Tension Adjustment" Section to decrease belt tension</li> <li>2. Replace drive belts</li> </ol>
Engine will not stop	Check switch	Replace switch
Tines will not cut properly	Tines assembled incorrectly	Refer to "Install the Tines" Section
Frequent engine stalling	<ol style="list-style-type: none"> <li>1. Excessive tilling speed / depth</li> <li>2. Engine problems (above)</li> </ol>	<ol style="list-style-type: none"> <li>1. Till at a moderate pace. Make multiple passes.</li> <li>2. Refer to engine solutions (above)</li> </ol>

# Warranty

• Save all instructions

## **A** Southland® ROTARY TILLER Limited Warranty

Always specify model number when contacting the factory.

We reserve the right to amend these specifications at any time without notice. The only warranty applicable is our standard written warranty. We make no other warranty, expressed or implied. MAT Engine Technologies, LLC warrants this Tiller and any parts thereof, to be free from defects in material and workmanship for two years (90 days for commercial use) from the date of first purchase from an authorized dealer, provided that the product has been properly maintained and operated in accordance with all applicable instructions. This warranty is extended only to the original retail purchaser. The bill of sales or proof of purchase must be presented at the time a claim is made under this warranty. This warranty does not cover industrial, or rental usage, nor does it apply to parts that are not in original condition because of normal wear and tear, or parts that fail or become damaged as a result of misuse, accident, lack of proper maintenance, tampering, or alteration. Exceptions to the standard warranty period would be normal wear items such as cutting blades, string heads, earth auger blades, air filter, and spark plugs which are only covered for 60 days against defects in material or workmanship. Travel, handling, transportation, and incidental costs associated with warranty repairs are not reimbursable under this warranty and are the responsibility of the owner. To the full extent allowed by the law of the jurisdiction that governs the sale of the product, this express warranty excludes any and all other expressed warranties and limits the duration of any and all implied warranties, including warranties of merchantability and fitness for a particular purpose to two years from the date of first purchase, and MAT Engine Technologies, LLC's liability is hereby limited to the purchase price of the product and MAT Engine Technologies, LLC shall not be liable for any other damages whatsoever including indirect, incidental, or consequential damages. Some states do not allow limitation of how long an implied warranty lasts or an exclusion or limitation of incidental or consequential damages, so the above limitation of damages may not apply to you. This warranty provides the original purchaser with specific rights.

For information regarding those rights, please consult the applicable state laws.

**METL Corporate Office - CORRESPONDENCE ONLY**  
**ATTN: Technical Service – METL**  
**6700 Wildlife Way**  
**Long Grove, IL 60047**

The Engine Emissions Control System Warranty is provided by the engine manufacturer, included with this product and administered by MAT Engine Technologies, LLC.

**If you have any questions regarding your warranty coverage,  
you should contact METL customer service:**



**If you need assistance or have any questions,  
CALL TOLL FREE: 1-800-737-2112**



## **Manuel de l'utilisateur MOTOBÈCHE ROTATIVE À DENTS ARRIÈRE**

**No. de modèle SRTT212**

<b>Retrouver à l'intérieur :</b>	<b>Page</b>
Définitions de sécurité .....	27
Importante information de sécurité.....	28-30
Spécifications du produit .....	31
Pièces et caractéristiques .....	31
Décalcomanies de sécurité .....	32
Assemblage .....	33-35
Préparation du moteur .....	36
Fonctionnement .....	37-41
Entretien .....	42-45
Service technique.....	45
Dépannage .....	46
Garantie .....	47-50



**Veillez noter les éléments suivants pour une référence future :**

**Code – Date de fabrication :** \_\_\_\_\_

**Date d'achat :** \_\_\_\_\_ **Joignez une copie de votre reçu de caisse.**

**Numéro sans frais – service à la clientèle : 1-800-737-2112**

**Référez au site Web pour un manuel sous forme électronique et un catalogue des pièces.  
[www.southlandpowerequipment.com](http://www.southlandpowerequipment.com)**

### **IMPORTANT :**

Félicitations pour l'achat de votre motobèche Southland®.

Ce manuel comprend les directives complètes pour assurer un fonctionnement et un entretien sécuritaires de votre motobèche. Veuillez référer à ce manuel avant chaque usage de votre motobèche.

#### **AVERTISSEMENT**

CONTIENT DU PLOMB. Peut être nocif s'il est ingéré ou mâché. Peut générer de la poussière contenant du plomb. Se laver les mains après usage. Garder hors de la portée des enfants.

#### **⚠ AVERTISSEMENT**

Ce produit peut vous exposer à des produits chimiques, y compris le plomb qui est reconnu par l'état de la Californie comme pouvant causer le cancer, des anomalies congénitales ou d'autres dommages aux fonctions reproductrices. Pour obtenir des renseignements supplémentaires, allez sur [www.P65Warnings.ca.gov](http://www.P65Warnings.ca.gov).



**Si vous avez une question ou un problème...**

**APPELEZ SANS FRAIS : 1-800-737-2112**

**CONSERVEZ CE MANUEL POUR RÉFÉRENCE FUTURE**

# Définitions de sécurité

• Conservez ces directives

## Symboles d'alerte de sécurité

Les symboles suivants sont utilisés sur le produit et dans ce manuel pour alerter l'opérateur de potentiels dangers concernant la sécurité. Assurez-vous de les lire attentivement et de comprendre leur signification.

 <b>DANGER</b>	Signale une situation imminente et dangereuse qui, si elle n'est pas évitée, entraînera la mort ou des blessures graves.
 <b>AVERTISSEMENT</b>	Signale une situation potentiellement dangereuse susceptible, si elle n'est pas évitée, d'entraîner la mort ou des blessures graves.
 <b>MISE EN GARDE</b>	Indique une situation potentiellement dangereuse qui, si elle n'est pas évitée, peut entraîner des blessures légères ou modérées.
 <b>AVIS</b>	Indique une pratique non liée à des blessures qui, si elle n'est pas évitée, peuvent entraîner des dommages matériels.

## Symboles d'avertissement de sécurité

	Recherchez ce symbole qui indiquera d'importantes mises en garde de sécurité, relativement aux risques de blessures. Il signifie : <b>“ Attention! Soyez attentifs! Votre sécurité est en jeu.”</b>
	Veuillez lire le manuel de l'utilisateur, avant de faire fonctionner cet appareil. Le défaut de suivre les directives pourrait provoquer de sérieuses blessures.
	Objets projetés. Retirez toutes les roches, cailloux et corps étrangers, pouvant être projetés par l'appareil.
	Ne pas utiliser en présence d'enfants ou de spectateurs.
	Les dents rotatives peuvent causer de sérieuses blessures. Maintenez les mains, les pieds et les vêtements à l'écart.
	Portez une protection oculaire homologuée ANSI Z87.1 et une protection auditive.
	Débranchez le câble de bougie d'allumage lorsqu'il n'est pas utilisé ou avant de procéder à la réparation, au nettoyage ou à l'entretien de cette unité.
	Le gaz d'échappement contient du monoxyde de carbone, un gaz inodore et mortel. Ne JAMAIS faire fonctionner cette unité à l'intérieur ou dans un espace mal ventilé.
	Ne PAS toucher un tuyau d'échappement ou un cylindre chaud. Ces pièces deviennent extrêmement chaudes pendant le fonctionnement et peuvent demeurer ainsi pour une courte période de temps après le fonctionnement.
	Pour réduire le risque d'incendie, nettoyez les déversements d'essence et d'huile et maintenez l'unité libre de résidus. L'essence est extrêmement inflammable. Laissez l'unité refroidir avant de refaire le plein.

## Symboles de contrôle et de fonctionnement

	<b>Emplacement de remplissage d'huile :</b> Éviter un trop-plein
	<b>Levier d'embrayage :</b> En abaissant le levier supérieur, le mouvement des dents et des roues de traction est actionné pour le labourage en marche avant. En abaissant le levier inférieur, le mouvement des dents et des roues de traction est inversé et actionne l'unité en marche arrière.
	<b>Contrôle d'accélération :</b> Déplacez le levier d'accélération vers la gauche pour augmenter la vitesse du moteur. Déplacez le levier d'accélération vers la droite pour diminuer la vitesse du moteur.
	<b>Souape de combustible «ON/OFF» :</b> Déplacez le levier de la soupape de carburant vers la droite en position MARCHÉ (ON) pour utiliser le motoculteur.
	<b>Levier de l'étrangleur :</b> Déplacez le levier de l'étrangleur vers la gauche pour un démarrage de moteur à froid. Déplacez le levier de l'étrangleur vers la droite une fois démarré ou pour un démarrage de moteur à chaud.



# Importante information de sécurité

• Conservez ces directives

## Responsabilité de Propriétaire

1. Veuillez lire et suivre ces directives de sécurité. Le défaut d'y adhérer pourrait provoquer de sérieuses blessures.
2. Apprenez à connaître votre produit. Veuillez lire et comprendre ce manuel avant l'usage. Comparez les illustrations avec l'unité. Apprenez à connaître l'emplacement et le fonctionnement de tous les contrôles. De comprendre complètement l'unité avant l'usage offrira plus de rendement et de sécurité.
3. Veuillez suivre toutes les directives lors de l'assemblage de l'unité. Si vous vous êtes procuré l'unité déjà assemblée, l'opérateur doit vérifier l'unité attentivement pour s'assurer que celle-ci a été assemblée selon les directives du manuel avant l'usage.
4. Inspectez régulièrement la débroussailleuse. Assurez-vous que les pièces ne sont pas tordues, endommagées ou desserrées.
5. N'utilisez cet appareil que pour l'objectif visé.
6. Faites fonctionner l'unité seulement lorsque les protecteurs et autres articles de sécurité sont bien en place et fonctionnent adéquatement.
7. Réparez l'unité seulement avec des pièces autorisées ou approuvées.
8. Complétez tout l'entretien et les réglages de l'unité, selon les directives retrouvées dans ce manuel.

## ⚠ AVERTISSEMENT

Ce produit peut vous exposer à des produits chimiques, y compris le plomb qui est reconnu par l'état de la Californie comme pouvant causer le cancer, des anomalies congénitales ou d'autres dommages aux fonctions reproductrices. Pour obtenir des renseignements supplémentaires, allez sur [www.P65Warnings.ca.gov](http://www.P65Warnings.ca.gov).

## ⚠ AVERTISSEMENT

Pour prévenir les mises en marche involontaires lors de la préparation, du transport, de réglages ou de réparations, assurez-vous de toujours débrancher le câble de la bougie d'allumage et placez ce câble où il ne peut entrer en contact avec la bougie.

## Sécurité Durant la Préparation

### ⚠ AVERTISSEMENT

- Lisez, comprenez et suivez toutes les directives sur cet appareil et dans ce manuel. Familiarisez-vous complètement avec les contrôles et l'usage approprié de la débroussailleuse avant de commencer. Apprenez à arrêter le moteur rapidement.
- Familiarisez-vous avec toutes les décalcomanies de sécurité et de fonctionnement sur cet appareil.

### ⚠ AVERTISSEMENT

- Inspectez minutieusement l'espace où la motobêche sera utilisée et retirez tous les corps étrangers. Votre appareil peut projeter de petits objets à haute vitesse, pouvant provoquer des blessures ou des dommages matériels. Tenez-vous loin d'objets cassants, tels : fenêtres de maison, vitres d'auto, serres, etc.
- Vérifiez que tous les boulons et écrous sont resserrés et que l'appareil est en bonne condition, avant chaque usage.

## Sécurité Durant L'usage

- Ne permettez jamais à des enfants ou à de jeunes adolescents d'utiliser la motobêche.

### ⚠ AVERTISSEMENT

- Maintenez l'espace de travail exempt de spectateurs, surtout de jeunes enfants et d'animaux.
- Ne permettez qu'à des personnes responsables et familières avec les directives de faire fonctionner la débroussailleuse.

### ⚠ AVERTISSEMENT

- N'utilisez pas la débroussailleuse lorsque sous l'influence d'alcool, drogues ou autre médication pouvant provoquer de la somnolence ou affecter votre capacité à opérer cet appareil en toute sécurité.
- N'utilisez pas cet appareil si vous êtes mentalement ou physiquement inapte à opérer cet appareil en toute sécurité.
- En utilisant la débroussailleuse, portez toujours des lunettes de sécurité conformes à ANSI ou des lunettes de sécurité avec protecteurs latéraux, pour protéger vos yeux de corps étrangers pouvant être projetés de l'unité.
- Portez toujours des vêtements appropriés tels, une chemise à manches longues ou un gilet. Ne portez PAS de culottes courtes. Ne portez PAS de vêtements amples, pouvant s'entremêler dans l'appareil.

# Importante information de sécurité (Suite)

• Conservez ces directives

## Sécurité Durant L'usage (Suite)

- Portez toujours des gants de travail et de robustes souliers, tels de bottes de travail en cuir ou des bottes courtes. Ceux-ci protégeront les chevilles et le bas des jambes contre les petits morceaux de branchage, les éclats de bois et autres débris volants et améliorera la traction.
- Il est recommandé de porter un casque protecteur pour protéger contre les petites particules volantes ou d'être heurté par des branches basses ou autres objets passant inaperçus aux yeux de l'opérateur.

### ⚠ AVERTISSEMENT

- Ne placez pas vos mains ni vos pieds près ou sous les pièces rotatives.
- Faites preuve d'extrême précaution durant le fonctionnement ou en traversant des entrées, passages ou chemins de gravillons. Demeurez vigilants pour reconnaître les dangers cachés ou le trafic.

### ⚠ AVERTISSEMENT

- Soyez vigilants pour éviter de glisser ou de tomber. N'utilisez jamais la débroussailleuse en présence de gazon mouillé. Assurez-vous toujours d'avoir un pied sûr; conservez une bonne prise sur la poignée et marchez; ne courez jamais.
- N'utilisez jamais la motobêche sans avoir une bonne visibilité ou une bonne lumière.

### ⚠ DANGER

- Ne faites pas fonctionner le moteur à l'intérieur ou dans un espace fermé. Les gaz d'échappement sont dangereux et contiennent du MONOXYDE DE CARBONE, un GAZ INODORE ET MORTEL.
- Ne laissez jamais la motobêche sans surveillance pendant que le moteur tourne. Arrêtez le moteur et assurez-vous que toutes les pièces mobiles sont arrêtées. Débranchez le câble de la bougie d'allumage.
- Ouvrez l'œil pour la présence de trous, d'ornières, de buttes ou toute autre dénivellation de terrain. Les herbes hautes peuvent cacher des obstacles.
- Regardez toujours derrière et vers le bas et usez de prudence en mode de marche arrière ou lorsque vous tirez la motobêche vers vous.
- N'essayez jamais de démarrer la motobêche, à moins que les deux roues ne soient en position bloquée. Cette méthode agit comme un frein pour la motobêche. Faites toujours démarrer la motobêche sur une surface unie.

### ⚠ AVERTISSEMENT

- Désengagez le levier d'embrayage et arrêtez le moteur, avant de laisser la motobêche en position de marche. Attendez que les dents soient complètement arrêtées, avant de retirer des débris ou de faire quelque réglage à la motobêche.

### ⚠ MISE EN GARDE

- Ne tentez pas de labourer un sol dur, ni de labourer trop profondément, ni de labourer à un rythme trop rapide, pouvant surcharger la motobêche.
- Si la motobêche commence à vibrer de façon anormale, arrêtez le moteur, débranchez le câble de la bougie d'allumage et assurez-vous qu'il n'entre pas en contact avec la bougie. Vérifiez immédiatement la cause. Normalement une vibration représente un avertissement de problème.

## Sécurité de Combustible

### ⚠ AVERTISSEMENT

- L'essence est extrêmement inflammable et les vapeurs d'essence peuvent exploser si allumées. Manipulez avec soin.
- Utilisez un récipient approuvé.
- Vérifiez l'alimentation en combustible avant chaque usage, en laissant de l'espace pour l'expansion, car la chaleur du moteur et /ou du soleil peut provoquer une expansion du combustible.
- Remplissez le réservoir de combustible à l'extérieur avec un soin extrême. Ne jamais remplir le réservoir de combustible à l'intérieur.
- Ne retirez pas le bouchon du réservoir de combustible ; n'ajoutez pas de combustible lorsque le moteur est en marche. Laissez le moteur refroidir avant un ravitaillement.

### ⚠ AVERTISSEMENT

- Ne fumez pas durant un ravitaillement.
- Après un ravitaillement, remplacez fermement en place le bouchon du réservoir de combustible et essuyez tout

# Importante information de sécurité (Suite)

• Conservez ces directives

## Sécurité de Combustible (Suite)

- déversement de combustible.
- Ne rangez jamais de combustible ou le motobêche avec du combustible dans le réservoir dans un édifice où les vapeurs pourraient rejoindre une flamme nue.
- Ne remplissez jamais de conteneurs d'essence ou le réservoir de la motobêche à l'intérieur d'un véhicule ou dans la boîte d'un camion. Une décharge accidentelle d'électricité statique peut enflammer les vapeurs de combustible pouvant causer de sérieuses blessures ou la mort.

## Sécurité de Rangement

- Référez toujours aux directives du manuel de l'utilisateur relativement aux détails importants, si le motobêche est rangée pour une période de temps prolongée.
- Ne rangez jamais le motobêche avec du combustible dans le réservoir dans un édifice où se trouvent des sources possibles d'ignition, telles des chauffe-eau, radiateurs, sècheuses à linge, etc.
- Pour réduire les dangers d'incendie, maintenez la débroussailleuse libre d'une accumulation de gazon, feuilles ou autres débris.
- Laissez le moteur refroidir avant de ranger l'unité dans tout espace fermé.

## Sécurité Pour Réparations, Entretien et Réglages

- Après avoir frappé un objet, arrêtez le moteur. Débranchez le câble de la bougie d'allumage et placez-le où il ne peut entrer en contact avec la bougie, pour prévenir les mises en marche involontaires. Vérifiez soigneusement la débroussailleuse, pour détecter tout dommage. En présence de dommages, assurez-vous de faire réparer l'unité par un technicien formé, avant de redémarrer et de réutiliser l'unité.

## ⚠ AVERTISSEMENT

- Arrêtez le moteur avant de procéder au nettoyage, à l'inspection ou à des réparations de l'unité. Assurez-vous que toutes les pièces sont immobiles. Laissez refroidir le moteur, débranchez le câble de la bougie d'allumage et placez-le où il ne peut entrer en contact avec la bougie.
- Ne tentez jamais de procéder à des réglages, lorsque l'unité fonctionne, sauf lorsque spécifiquement recommandé par le fabricant.
- Maintenez la motobêche en condition sécuritaire de fonctionnement. Vérifiez toutes les attaches à intervalles fréquentes pour assurer un serrage approprié.
- Lors de réparations ou d'entretien à la motobêche, ne basculez pas l'unité, à moins d'être spécifiquement instruit de le faire dans le manuel. Les procédures de réparations ou d'entretien peuvent être exécutées lorsque la motobêche est positionnée usuelle. Certaines procédures seront plus faciles à exécuter, lorsque l'unité est soulevée sur une plate-forme ou une surface de travail surélevée.
- Utilisez uniquement de l'équipement original ou des pièces de remplacement autorisées.

## ⚠ AVERTISSEMENT

- Ne trafiquez jamais des dispositifs de sécurité. Vérifiez leur fonctionnement approprié de façon régulière.
- Ne changez pas la configuration du moteur; ne procédez pas à un réglage de surrégime de moteur.
- Nettoyez et remplacez les décalcomanies de sécurité et de directives, selon le besoin.
- Pour protéger contre la surchauffe du moteur, assurez-vous que le filtre à débris est propre et en place.

## Sécurité des Enfants

## ⚠ AVERTISSEMENT

- Des accidents tragiques peuvent survenir si l'opérateur n'est pas vigilant à la présence d'enfants. Les enfants sont souvent attirés par le motobêche et le travail accompli.
- Maintenez les enfants à l'écart de la zone de travail et sous la surveillance d'un adulte responsable.
- Ne présumez jamais que les enfants demeureront à l'endroit où vous les avez vus la dernière fois.
- Soyez vigilant et arrêtez la motobêche à l'approche d'enfants dans la zone de travail.
- Avant et pendant que vous reculez, regardez derrière et vers le sol pour détecter la présence d'enfants.
- Ne permettez jamais à des enfants d'utiliser la motobêche.
- Soyez particulièrement prudent en utilisant l'unité près d'angles morts, arbustes, arbres ou autres objets pouvant bloquer votre vision.

# Spécifications du produit

• Conservez ces directives

Poids de l'unité . . . . .	70 kg (154 lb)	Type de moteur . . . . .	4 temps, à soupapes en tête
Largeur de labourage . . . . .	45,7 cm (18 po)	Cylindrée du moteur . . . . .	212cc
Profondeurs de labourage . . . . .	Jusqu'à 20,3 cm (8 po)	Vitesse de moteur (à plein régime) . . . . .	3600 tours / minute
Diamètre de dent . . . . .	27,9 cm (11 po)	Vitesse de moteur (au ralenti) . . . . .	2100 tours / minute
Type d'essence . . . . .	Régulière sans plomb – indice d'octane 87 (min.)	Couple nominal . . . . .	10,3 pi-lb, selon SAE J1940
Capacité d'essence . . . . .	3.6 litre (3.8 qt US)	Diamètre d'alésage x Course de piston . . . . .	70 x 55 mm (2.76 x 2.17 po)
Type d'huile moteur (API SG-SL) . . . . .	10W-30 is recommended for all service temperatures. See page (36) for additional information.	Jeu – Soupape d'admission . . . . .	0.08 - 0.12 mm (0.003 - 0.005 po)
Capacité d'huile moteur . . . . .	550 mL (19 oz US)	Jeu – Soupape d'échappement . . . . .	0.16- 0.20 mm (0.006 - 0.008 po)
Type d'huile à transmission . . . . .	SAE 85W-140 / 90W-140	Angle d'allumage . . . . .	25 Degrés
Capacité d'huile à transmission . . . . .	900 ml (30 oz US)	Dimension de pneu . . . . .	13x5.00-6 Bande de roulement directionnelle de tracteur
Bougie d'allumage . . . . .	Torch F7RTC	Pression de pneu . . . . .	25 psi min/30 psi max
Écartement d'électrode – Bougie d'allumage . . . . .	0.5-0.8 mm (0.020-0.028 po)		

## Pièces et caractéristiques

1. Dents
2. Protecteur de dents
3. Roues
4. Goupilles de sécurité pour roués
5. Silencieux
6. Filtre à air
7. Poignée du lanceur à rappel
8. Bougie d'allumage / Câble de bougie d'allumage
9. Barre de réglage de profondeur
10. Contrôle d'accélérateur
11. Soupape de combustible «ON/OFF»
12. Contrôle de l'étrangleur
13. Interrupteur «ON/OFF»
14. Bouchon du réservoir de combustible
15. Jauge d'huile graduée
16. Levier avant
17. Levier arrière
18. Avant garde

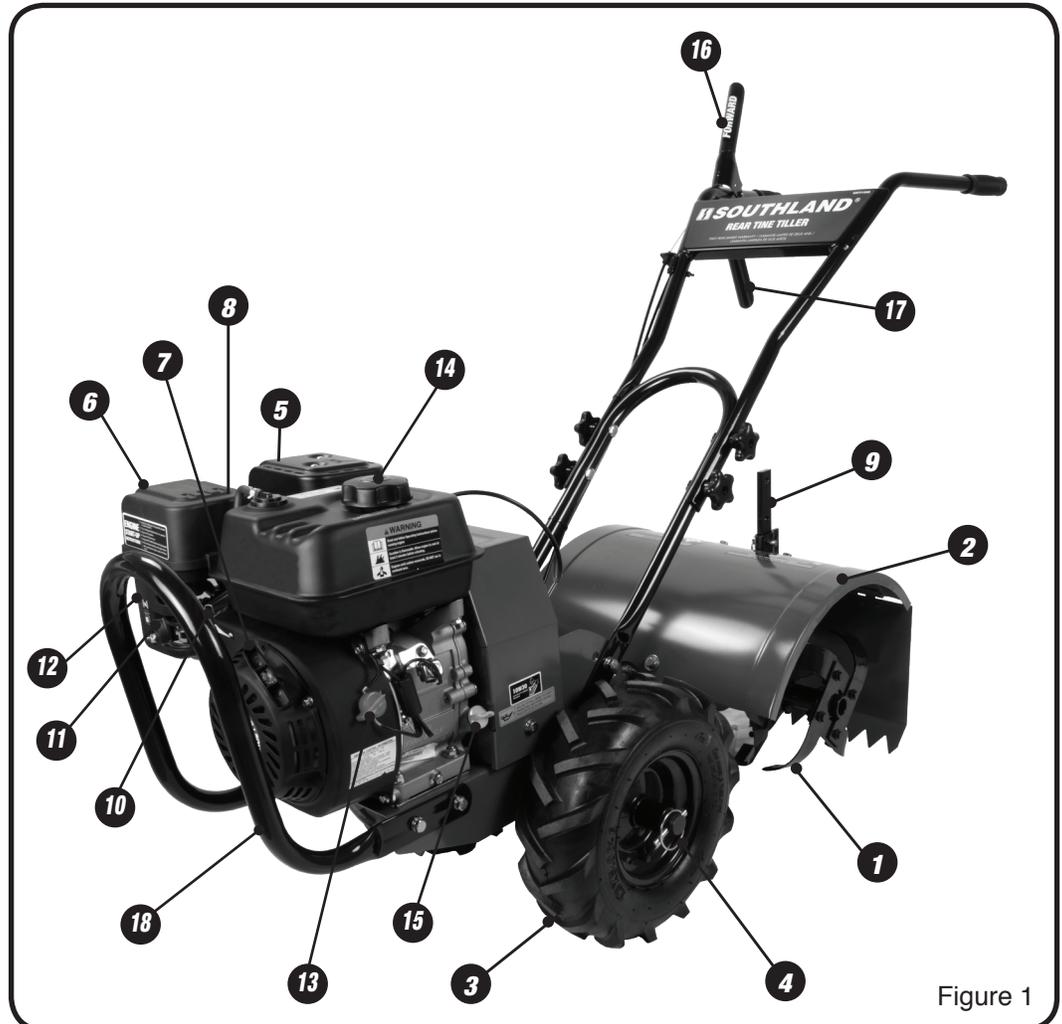


Figure 1

# Décalcomanies de sécurité

• Conservez ces directives

Cette motobèche a été conçue et fabriquée pour vous offrir la sécurité et la fiabilité à laquelle vous attendez, de la part d'un chef de file industriel dans le domaine de la fabrication d'équipement extérieur motorisé.

Même si la lecture de ce manuel et les directives de sécurité qu'il contient vous procurera les connaissances de base pour assurer le fonctionnement sécuritaire et efficace de cet appareil, nous avons disposé plusieurs étiquettes de sécurité sur la motobèche, pour rappeler ces renseignements importants à l'usage de cet appareil.

Ces importantes étiquettes de sécurité sont illustrées plus bas pour vous familiariser avec l'emplacement et le contenu des messages de sécurité que vous verrez, lorsque vous procéderez à des travaux normaux de labourage. Veuillez consulter ces étiquettes maintenant. Si vous avez des questions quant à leur signification ou à la façon de respecter des directives, lisez à nouveau le texte complet des directives

de sécurité des pages précédentes ou contactez votre détaillant local.

Si jamais ces étiquettes devenaient illisibles parce qu'elles sont usées, décolorées ou endommagées de quelque façon, contactez votre détaillant autorisé local pour commander des étiquettes de remplacement.

Il est facile d'appliquer ces étiquettes de sécurité et elles sauront agir comme constants rappels visuels pour vous et tous les autres usagers de cet appareil. Suivre ces directives de sécurité est nécessaire pour assurer un fonctionnement sécuritaire et efficace de votre motobèche.

<b>⚠ WARNING</b>	
<b>AVOID SERIOUS INJURY OR DEATH.</b>	
 <ul style="list-style-type: none"> <li>• Read and follow operator's manual.</li> <li>• Know location and functions of all controls.</li> <li>• Keep all safety devices and shields in place and working.</li> </ul>	 <ul style="list-style-type: none"> <li>• Keep away from rotating parts.</li> <li>• Use extreme caution when reversing / pulling the machine towards you.</li> </ul>
 <ul style="list-style-type: none"> <li>• Never allow children or uninstructed adults to operate machine.</li> <li>• Keep bystanders away from machine.</li> </ul>	 <ul style="list-style-type: none"> <li>• Shut off engine before manually unclogging tines or making repairs.</li> </ul>

<b>⚠ WARNING</b>	
	<ul style="list-style-type: none"> <li>• Keep away from rotating tines.</li> <li>• Contact will result in injury.</li> </ul>

<b>FORWARD</b>	<b>REVERSE</b>
----------------	----------------

<b>⚠ WARNING</b>	
	<p><b>Read and follow Operating Instructions before running engine.</b></p>
	<p><b>Gasoline is flammable. Allow engine to cool at least 2 minutes before refueling.</b></p>
	<p><b>Engines emit carbon monoxide, DO NOT run in enclosed area.</b></p>

<b>⚠ WARNING</b> 	
<ul style="list-style-type: none"> <li>• Gasoline is flammable. Allow engine to cool at least 2 minutes before refueling.</li> <li>• Operation of this equipment may create sparks that can start fires around dry vegetation. A spark arrestor may be required. The operator should contact local fire agencies for laws or regulations relating to fire prevention requirements.</li> </ul>	

<b>TO ENGAGE TRANSPORT MODE</b>	
<ol style="list-style-type: none"> <li>1. Remove pin</li> <li>2. Slide wheel <i>towards</i> frame</li> <li>3. Insert pin through the hole on the wheel axle and rotate ring to secure</li> </ol>	

<b>ENGINE START-UP INSTRUCTIONS</b>	<ol style="list-style-type: none"> <li>1. Insert the locking pin to secure the wheels in locked position.</li> <li>2. Turn the Engine Switch to the "ON" position.</li> <li>3. Move the Fuel Valve lever to the "ON" position.</li> <li>4. Move the Choke lever to the "START" position.</li> <li>5. Adjust the Throttle Control to the high speed.</li> <li>6. Pull the Starter Handle until engine starts</li> <li>7. After starting the engine, move the Choke lever to the "RUN" position.</li> </ol>
-------------------------------------	---

# Assemblage

• Conservez ces directives

Veuillez lire et suivre les directives d'assemblage. Ne jetez aucune pièce ou matériaux jusqu'à ce que l'assemblage ne soit complété. Les références faites à la droite ou à la gauche de la motobêche représentent le point de vue de la position de l'opérateur, lorsqu'il est placé derrière la motobêche.

## ⚠ AVERTISSEMENT

N'utilisez pas la motobêche si celle-ci est endommagée ou n'est pas complètement ou correctement assemblée.

## ⚠ AVERTISSEMENT

Avant de procéder à l'assemblage ou à l'entretien de l'unité, retirez le câble de la bougie d'allumage.

## ⚠ AVERTISSEMENT

Lors de l'assemblage de la motobêche, portez toujours des lunettes de sécurité conformes à ANSI avec protecteurs latéraux.

Vous trouverez les composants suivants dans la boîte. Les quantités sont indiquées dans les ( )

1. (1) Motobêche
2. (1) Ensemble de guidons
3. (1) Barre de réglage de profondeur
4. (1) Mode d'emploi de la motobêche
5. (1) Manuel du moteur
6. (1) Bouteille d'huile à moteur
7. (1) Sac de pièces contenant les articles suivants :
  - a. (2) Boulons à embase M10 x 25 mm, rondelles plates, contre-écrous et écrous, pour l'assemblage du guidon inférieur
  - b. (4) Boulons de selle M8 x 50 mm et rondelles pour l'assemblage du guidon supérieur
  - c. (4) Boutons de guidons pour l'assemblage du guidon supérieur
  - d. (2) Chevilles de sécurité pour roues
  - e. (1) Cheville
8. (2) Ensembles de roues et pneus
9. (1) Garde avant

## **A** Comment retirer la motobêche de la boîte

1. Retirez toutes les pièces et les composants d'emballage.
2. Utilisez un couteau universel pour couper les 4 rebords verticaux et de déposer les panneaux latéraux à plat autour de la motobêche.
3. Retirez tout l'excédent d'emballage.

## **B** Directives d'assemblage

La motobêche est livrée complètement préassemblée, sauf pour quelques pièces. Les directives suivantes vous aideront à compléter l'assemblage de la motobêche.



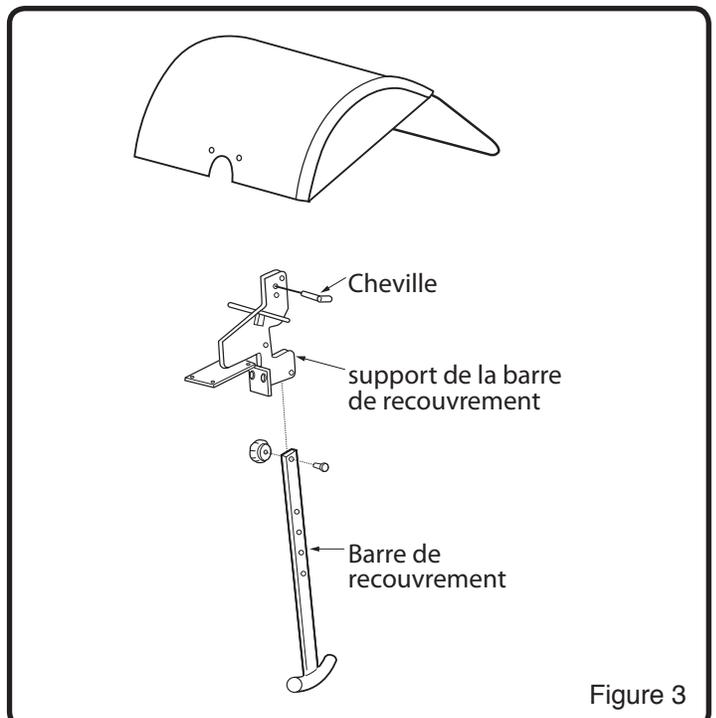
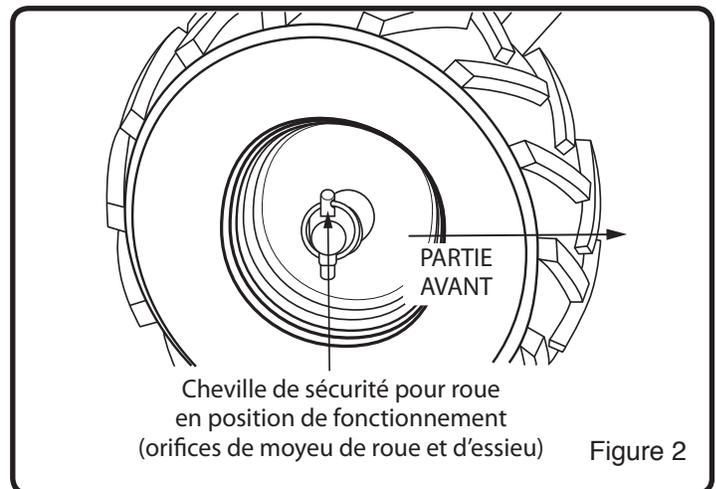
Si vous avez besoin d'assistance ou devez trouver des pièces manquantes, **APPELÉZ SANS FRAIS : 1-800-737-2112.**

## Installer les Roues (Voir Illust. 2)

1. Laveuse assureur creuse est installé sur l'axe de roue.
2. Les roues de la motobêche sont directionnelles. Pour obtenir un rendement optimal, installez les roues en dirigeant la bande de roulement, tel qu'illustré.
3. Faites glisser le moyeu de roue sur l'essieu de roue.
4. Alignez l'orifice du moyeu de roue à l'orifice dans l'essieu et insérez la cheville de sécurité.
5. Tournez l'anneau de la cheville de sécurité, pour bloquer la cheville en position.

## Installez la Barre de Recouvrement (Voir Illust. 3)

1. Insérez la barre de recouvrement dans la partie inférieure du support de la barre de recouvrement.
2. Insérez la cheville à travers le support et le levier.



# Assemblage (Suite)

• Conservez ces directives



Si vous avez besoin d'assistance ou devez trouver des pièces manquantes, **APPELEZ SANS FRAIS : 1-800-737-2112.**

## Fixez le Guidon Inférieur (Voir Illust. 4)

1. Desserrez les boulons du guidon inférieur.
2. Alignez les orifices du guidon inférieur aux orifices de réglage de hauteur moyenne du couvercle de transmission et installez des boulons à embase M10 x 25 mm, contre-écrous et écrous. Resserrez les quatre boulons à ce moment-ci.

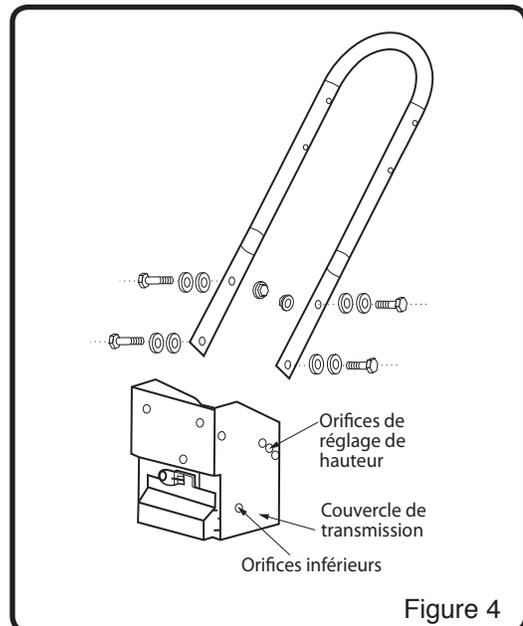


Figure 4

## Fixer le Guidon Supérieur (Voir Illust. 5)

1. Glissez le guidon supérieur vers le bas, par-dessus le guidon inférieur et alignez les orifices.
2. Insérez les boulons de selle dans les orifices tel qu'illustré et fixez-les en place à l'aide des boutons de guidons.
3. Resserrez fermement les boutons de guidons.
4. Fixez les câbles de contrôle pour gérer l'aide de colliers de serrage.

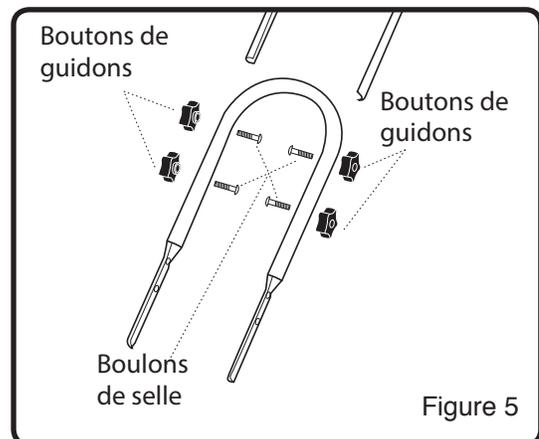


Figure 5

## Installation du Protecteur Avant (Voir Illust. 6)

1. Installez le protecteur, à l'aide de quatre boulons à tête hexagonale M8 x 20 mm, rondelles frein fendues, rondelles plates et écrous.

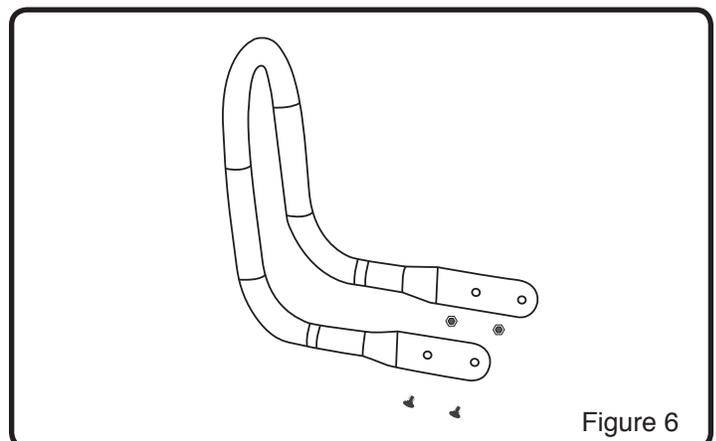


Figure 6

# Préparation du moteur (Suite)

• Conservez ces directives

## A Huile à moteur

### AVIS

Le moteur est expédié sans huile. Le défaut d'ajouter de l'huile causera de sérieux dommages au moteur.

Une bouteille d'huile à moteur est incluse avec votre motobêche. Veuillez référer au tableau à droite pour connaître les types alternatifs d'huile à utiliser selon les différentes températures. Utilisez toujours une huile détergente classifiée «Pour Service, SG, SH, SJ» ou plus élevé. N'utilisez pas d'additifs spéciaux.

### AVIS

Utilisez toujours le type d'huile recommandé. L'usage d'huile souillée ou un type d'huile inapproprié telle l'huile à moteur 2 temps, raccourcira la vie du moteur.

**REMARQUE :** La capacité d'huile à moteur est de 550 mL (19 oz US).

## Comment Vérifier le Niveau D'huile et Remplir au Niveau Approprié

### ⚠ AVERTISSEMENT

Avant de vérifier l'huile, assurez-vous que le moteur est arrêté et que le câble de la bougie d'allumage est bien débranché de la bougie d'allumage.

1. Placez la motobêche sur une surface unie et assurez-vous que le levier de la barre de recouvrement est installé de façon à ce que la structure de la motobêche soit de niveau. (Voir Illust. 6).
2. Retirez la jauge graduée et essuyez-la à l'aide d'un chiffon propre. (Voir Figure 6)
3. Insérez la jauge dans l'ouverture de remplissage mais ne la vissez PAS. Retirez la jauge et vérifiez le niveau d'huile.
4. Lorsque le niveau d'huile est plein, l'huile sera située à la limite supérieure de la jauge graduée. Si le niveau d'huile est situé près ou sous la limite inférieure, il faut ajouter de l'huile. (Voir Figure 7)
5. Ajoutez lentement de l'huile, jusqu'à ce que le niveau d'huile atteigne la limite supérieure de la jauge graduée. Utilisez un entonnoir ou une buse pour réduire les déversements.

### AVIS

Vérifiez fréquemment le niveau d'huile durant le remplissage. FAITES ATTENTION DE NE PAS TROP REMPLIR / OU DE REMPLIR INSUFFISAMMENT. Faire fonctionner le moteur à un niveau d'huile inapproprié peut sérieusement endommager le moteur.

6. Remplacez et resserrez la jauge graduée.
7. Nettoyez tout déversement d'huile.

**REMARQUE :** La transmission est livrée de l'usine, équipée l'huile à engrenage de type et de quantité appropriés.

Questions? Appelez sans frais à : 1-800-737-2112

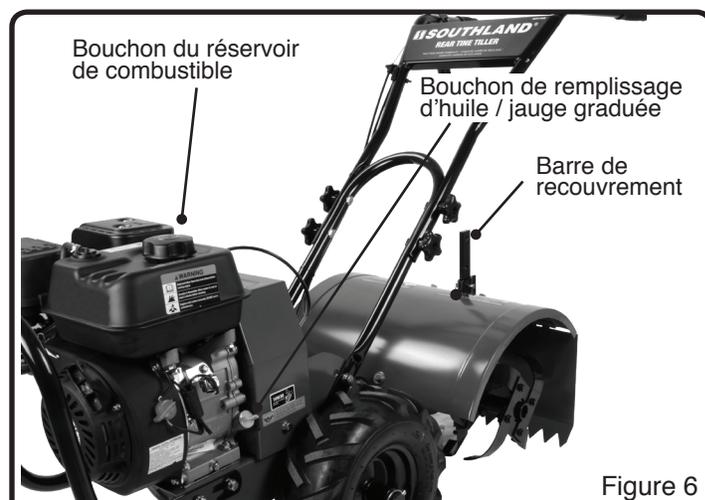
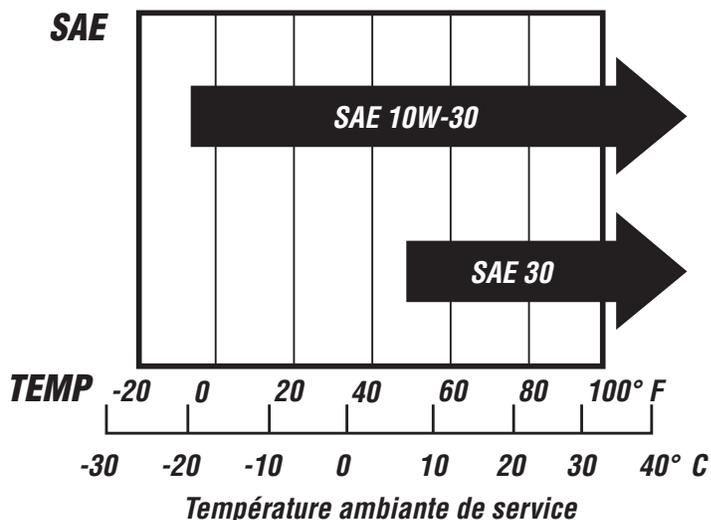


Figure 6

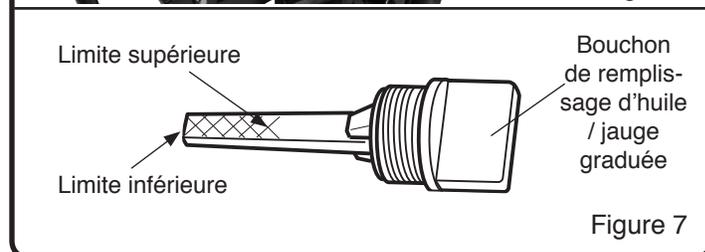


Figure 7



# Fonctionnement

• Conservez ces directives

## **A** Inspection avant le démarrage

1. Assurez-vous que tous les éléments de sécurité sont en place et que tous les boulons et écrous sont fermement resserrés.
  - a. Vérifiez que la pression d'air des deux pneus est de 1,72 à 2 bars (25 à 30 psi) avant chaque utilisation.
2. Vérifiez le niveau d'huile du carter de moteur. Consultez le manuel du moteur pour la procédure et les spécifications.
3. Vérifiez la propreté du filtre à air. Consultez le manuel du moteur pour la procédure
4. Vérifiez le niveau de combustible. Utilisez de l'essence fraîche sans plomb à indice d'octane de 87 ou plus. N'utilisez pas d'essence à teneur en éthanol supérieure à 10 %. Il est préférable d'utiliser un carburant sans éthanol. Nous recommandons l'utilisation continue d'un additif/stabilisateur de carburant pour contrebalancer les effets de l'éthanol. Ces additifs prolongent également la durée de vie de l'essence. Remplissez le réservoir de combustible au maximum, jusqu'à 2.5 cm / 1 po de la partie supérieure du réservoir pour laisser de l'espace pour l'expansion. Consultez le manuel du moteur pour les recommandations relatives au combustible.
5. Assurez-vous que le câble de la bougie d'allumage est bien fixé et que la bougie est fermement resserrée.
6. Vérifiez la position des roues et des dispositifs de sécurité des roues.
7. Vérifiez la position de la barre de recouvrement.
8. Examinez en-dessous et autour du moteur pour y détecter des signes de fuites d'huile ou de combustible.
9. Vérifiez les tuyaux de combustible pour vous assurer de leur étanchéité et détecter un suintement de combustible.
10. Vérifiez pour détecter des signes de dommages au moteur.
11. Retirez des débris excessifs autour du silencieux et du lanceur à rappel.

## **B** Démarrage

Les contrôles requis pour faire démarrer et fonctionner la motobèche sont situés sur le moteur et marqués d'une icône pour l'étrangleur, lent (slow) et rapide (fast) pour l'accélérateur et l'interrupteur «ON/OFF» de la soupape de combustible. Une description plus détaillée du fonctionnement du moteur et de toutes les mises en garde et procédures se retrouvent dans le manuel du fabricant de moteur, accompagnant chaque motobèche.

### **Démarrages à Froid**

1. Tournez l'interrupteur ON/OFF en position "ON".
2. Déplacez le levier de la soupape de carburant vers la droite en position « marche (on) ».
3. Déplacez le levier du volet de départ vers la gauche, en position « démarrage (start) ».
4. Déplacez le levier de l'accélérateur en position "start" (départ) ou "fast" (rapide).
5. Tirez lentement la corde de démarrage une seule fois et

**IMPORTANT : le moteur est expédié de l'usine sans huile. Vous devez ajouter de l'huile avant de faire démarrer le moteur.**

### **MISE EN GARDE**

Veillez ne pas faire démarrer votre motobèche avant d'avoir lu le manuel fourni avec la motobèche, ainsi que les sections du manuel relatives aux contrôles, réglages et sécurité. Si vous les avez lues, suivez les étapes ci-dessous pour faire démarrer la motobèche. Procédez toujours à une liste de vérification, avant de faire démarrer le moteur.

### **AVERTISSEMENT**

L'essence est hautement inflammable et doit être manipulée avec soin. Ne remplissez jamais le réservoir lorsque le moteur est chaud ou en marche. Déplacez-vous toujours vers l'extérieur pour remplir le réservoir.

Les roues doivent être bloquées en position de labourage, lorsque le moteur est en marche. N'opérez pas la motobèche lorsque les dispositifs de sécurité des roues ne sont pas bloqués. Placez toujours les roues en position de labourage, avant de faire démarrer le moteur.

Placez toujours le levier de la barre de recouvrement en position de transport, avant de faire démarrer le moteur. Les dents ne doivent pas toucher le sol.

### **DANGER**

Maintenez toujours les mains et les pieds, à l'écart de toute pièce rotative de l'appareil.

- laissez-la se rembobiner normalement.
6. Tirez rapidement la corde de démarrage et laissez-la se rembobiner normalement.
  7. Une fois que le moteur démarre, déplacez progressivement le levier du volet de départ en position « run (fonctionnement) » et augmentez la vitesse des gaz.

### **Redémarrer un Moteur Chaud**

Redémarrer un moteur déjà chaud suite à un fonctionnement préalable, ne requiert pas normalement l'usage de l'étrangleur.

1. Déplacez le levier de l'accélérateur en position "start" (départ) ou "fast" (rapide).
2. Tirez rapidement la corde de démarrage, jusqu'à ce que le moteur démarre. Laissez-la se rembobiner normalement. Répétez jusqu'à ce que le moteur démarre.
3. Réglez la vitesse de l'accélérateur à "fast" (rapide), pour obtenir un meilleur rendement de la motobèche.

# Fonctionnement (Suite)

• Conservez ces directives

## Vitesse au Ralenti

Utilisez la position "slow" (lent) sur le levier d'accélérateur pour réduire le stress sur le moteur, lorsque l'unité ne laboure pas. Une réduction de la vitesse du moteur au ralenti aidera à prolonger la vie du moteur, ainsi que de réduire la consommation de combustible et du niveau de bruit de l'appareil.

## Vitesse de Fonctionnement

Pour un labourage normal, réglez le levier de l'accélérateur à "fast" (rapide).

## Fermeture de l'unité

Pour fermer le moteur à tout moment, appuyez sur l'interrupteur ON/OFF vers la position OFF. Pour arrêter à la fois les roues et les dents à tout moment, relâchez les leviers d'embrayage vers la position neutre.

## Labourage

1. Réglez le levier de la barre de recouvrement à la profondeur désirée de labourage.

### ⚠ AVERTISSEMENT

Élevez le levier de la barre de réglage de profondeur un seul orifice à la fois, en mettant à l'épreuve le fonctionnement de la motobêche, après chaque augmentation. Élever la barre de réglage de profondeur trop haut, pourrait causer une perte de contrôle de la motobêche!

2. Déplacez le contrôle de l'accélérateur à "fast" (rapide).
3. La mise en marche vers l'avant de la motobêche s'exécute en appuyant vers le bas, le levier d'embrayage VERS L'AVANT / FORWARD) – cette procédure engagera les roues et les dents.

**REMARQUE :** Il est possible de ralentir la marche avant de la motobêche à tout moment, en appliquant une légère pression vers le bas sur les prises de guidons. Il est possible d'arrêter la motobêche, en relâchant les leviers d'embrayage vers la position neutre.

### AVIS

Pressez toujours complètement vers le bas les leviers d'embrayage de marche avant et marche arrière vers les prises de guidons. Un abaissement incomplet pourrait provoquer une usure excessive de la courroie d'entraînement et un bris prématuré de la courroie.

### ⚠ AVERTISSEMENT

La température du silencieux et des zones avoisinantes peut excéder 65°C / 150°F. Évitez ces zones. Ne déplacez pas le contrôle de l'étrangleur, pour arrêter le moteur; un retour de flammes ou un dommage au moteur pourrait survenir. Pour arrêter les dents à tout moment, relâchez les leviers d'embrayage vers la position neutre. Relâchez toujours les leviers d'embrayage en position neutre ET ARRÊTEZ LE

MOTEUR, avant de régler le levier de la barre de recouvrement.

### ⚠ DANGER

Le moteur et les zones avoisinantes deviennent extrêmement chauds durant l'usage normal et si elles sont touchées avant de refroidir, elles peuvent causer de graves brûlures. Laissez le moteur refroidir complètement, avant de toucher à ces surfaces chaudes.

**IMPORTANT :** pratiquez l'utilisation des contrôles et de la Motobêche avec les dents hors du sol, avant de commencer à labourer. Il est important de bien connaître le fonctionnement approprié de l'unité, afin d'en garder le contrôle en tout temps et d'être en mesure d'arrêter les dents et le moteur au besoin. Si vous ne savez pas comment exécuter ces fonctions, lisez la section sur les contrôles, les réglages et la sécurité avant d'utiliser l'appareil.

# Fonctionnement (Suite)

• Conservez ces directives

## **G** Leviers d'embrayage

### **▲ MISE EN GARDE**

N'opérez pas les deux leviers d'embrayage (VERS L'AVANT / FORWARD) et (VERS L'ARRIÈRE / REVERSE) en même temps. L'information est fournie ici strictement pour introduire les contrôles. Ne faites pas démarrer le moteur à ce moment-ci. Les directives de démarrage et de fonctionnement apparaissent à la page 37. Veuillez lire cette section et toutes les directives de démarrage et de fonctionnement, avant de faire démarrer le motobêche.

• À titre de précaution de sécurité, les leviers d'embrayage ne se bloqueront pas en position de marche avant ou arrière.

### **▲ AVERTISSEMENT**

Ne placez pas les leviers d'embrayage en position de marche vers l'avant ou l'arrière, de quelque autre façon qu'à l'aide de votre main droite. N'attachez pas, ni ne bloquez de quelque façon ces leviers en position de marche.

• Pour arrêter les roues et les dents à tout moment, relâchez les leviers d'embrayage.

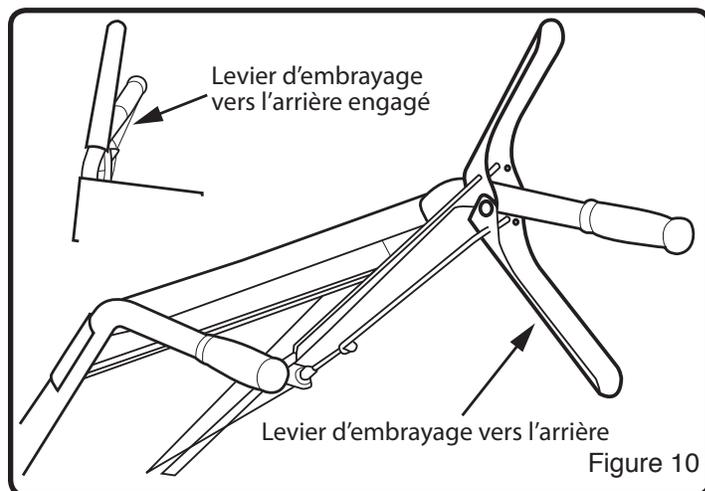
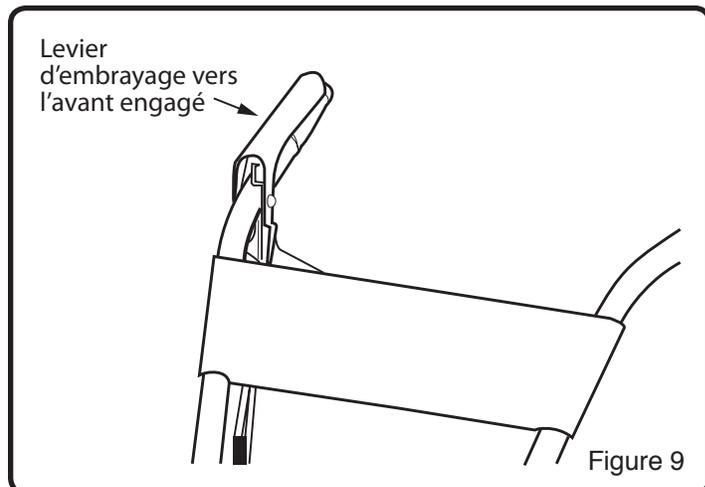
#### **Levier de Marche Avant** (Voir Illust. 9)

**Engage les roues et les dents vers l'avant.** Appuyer sur le levier d'embrayage (VERS L'AVANT / FORWARD) vers la prise du guidon engage le mouvement des roues et des dents. Le fait de relâcher le levier arrête le mouvement des roues et des dents et arrête complètement la motobêche.

#### **Levier de Marche Arrière** (Voir Illust. 10)

**Engage les roues et les dents vers l'arrière.**

Pousser sur le levier d'embrayage (VERS L'ARRIÈRE / REVERSE) vers la prise du guidon engage la motobêche dans le sens contraire. Le fait de relâcher le levier arrête le mouvement des roues et des dents.



# Fonctionnement (Suite)

• Conservez ces directives

## H Réglages

### ⚠ AVERTISSEMENT

Le moteur devrait être fermé avant de régler quelque contrôle.

Une précaution extrême devrait être observée, lors du fonctionnement de la motobêche en direction arrière.

### **Chevilles de Blocage Pour Roues**

(Voir Illust. 2 à la page 8 et 11)

#### **Placez les roues en position de labourage.**

1. Retirez la cheville. Alignez l'orifice de l'essieu à l'orifice du moyeu de la roue.
2. Insérez la cheville de blocage à travers les orifices, pliez l'anneau de la cheville de blocage, pour fixer la cheville à l'essieu.
3. Bloquez fermement la roue et l'essieu ensemble avant de labourer.
4. Répétez pour l'autre roue.

### ⚠ AVERTISSEMENT

Assurez-vous que les deux chevilles sont insérées ou non. N'opérez pas la motobêche avec une seule roue bloquée.

#### **Pour placer les roues en position de roues libres.**

1. Retirez la cheville de blocage. Glissez la roue à l'intérieur vers l'appareil.
2. Insérez la cheville dans l'essieu seulement et pliez l'anneau de la cheville, pour fixer la cheville à l'essieu.
3. La roue devrait tourner librement sur l'essieu.

### **Rég Lage de Hauteur de la Prise des Guidons**

(Voir Illust. 4 à la page 9)

#### **Réglez la hauteur de la prise des guidons.**

The ideal height of the handlebar varies with operator height and the depth of tilling. To adjust handlebar height:

La hauteur idéale de la prise varie selon la hauteur de l'utilisateur et la profondeur de labourage. Pour régler la hauteur de la prise :

1. Desserrez les écrous et retirez les boulons supérieurs de chaque côté.
2. Desserrez les boulons inférieurs. Ne les retirez pas.
3. Alignez les orifices du guidon supérieur aux orifices désirés sur la structure de montage du guidon inférieur.
4. Installez les boulons et écrous. Resserrez les quatre boulons fermement.

### **Barre de Réglage de Profondeur**

(Voir Illust. 3 à la page 8)

#### **La profondeur de labourage est contrôlée par la hauteur du levier de la barre de réglage de profondeur.**

Pour régler la profondeur de labourage :

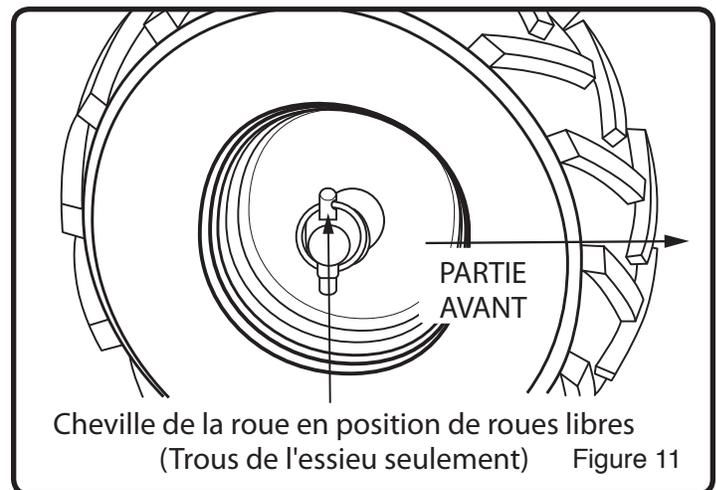
1. Retirez la cheville.
2. Réglez le levier de la barre de réglage de profondeur pour placer les dents à la profondeur de labourage désirée.
3. Alignez l'orifice du levier de la barre de réglage de profondeur à l'orifice du support de la barre de recouvrement et replacez la cheville.

#### **Levier de la barre de réglage de profondeur vers le bas = Labourage peu profond.**

Placez la cheville dans l'orifice supérieur du levier de la barre de réglage de profondeur pour obtenir le labourage le moins profond.

#### **Levier de la barre de réglage de profondeur vers le haut = Labourage plus profond.**

Placez la cheville dans l'orifice inférieur du levier de la barre de réglage de profondeur pour obtenir le labourage le plus profond.



### ⚠ AVERTISSEMENT

Ne procédez pas au réglage de la profondeur de labourage, à moins que les leviers d'embrayage ne soient relâchés en position neutre.

Placez toujours le levier de la barre de recouvrement en mode de transport, avant de faire démarrer le moteur, c'est à dire, placez la cheville d'arrêt dans l'orifice le plus élevé du levier de la barre de recouvrement.

# Fonctionnement (Suite)

## • Conservez ces directives

### **I** Conseils de labourage

La clé d'un labourage couronné de succès est de commencer par un premier passage léger en surface et augmenter un peu de profondeur de 2,5 à 5,0 cm / 1 à 2 po à chaque nouveau passage.

- La profondeur du labourage variera selon le type et la condition du sol.
- Lorsque vous commencez à travailler un terrain non-labouré ou extrêmement dur, installez la cheville dans l'orifice le plus élevé du levier de la barre de réglage de profondeur (suivez les directives de la section «Labourage »), Cette procédure vous permettra de labourer en surface. Avec la barre de réglage de profondeur dans cette position, exécutez plusieurs passages dans la zone à labourer. Ajustez la hauteur pour de nouvelles passes successives plus profondes.
- Si la motobêche saute ou glisse de façon incontrôlable, baissez la barre de réglage de profondeur en modifiant la position de la cheville dans un orifice plus élevé. Cette procédure vous permettra de labourer en surface. Tenez les guidons fermement pour éviter les faux bonds.
- Si des mauvaises herbes, des herbes hautes, vignes ou autres matériaux provoquent un bourrage des dents, reculez l'appareil pour en dérouler la végétation.

### **⚠** AVERTISSEMENT

Relâchez immédiatement les leviers d'embrayage si les dents bloquent ou si vous frappez un corps étranger. Avec les leviers de contrôle en position neutre, arrêtez le moteur. Déconnectez le câble de la bougie d'allumage. Lorsque le fonctionnement des dents est arrêté, retirez les débris et vérifiez pour détecter les dommages.

### **⚠** AVERTISSEMENT

Une précaution extrême est requise en choisissant la profondeur de labourage. Si vous tentez un labourage trop profond dans un sol difficile, c'est-à-dire avec le levier de la barre de recouvrement en position trop élevée, une perte de contrôle de l'appareil pourrait survenir.

Si vous retirez du matériel bloqué entre les dents avec vos mains, arrêtez le moteur et débranchez d'abord le câble de la bougie d'allumage.

### **J** Conseils de labourage

Si vous planifiez utiliser votre motobêche pour travailler la terre :

- Planifiez des rangées centrées à 51-56 cm / 20-22 po, pour tourner facilement.
- Placez le levier de la barre de recouvrement avec la cheville d'arrêt dans un des orifices supérieurs. Ceci permettra de travailler la terre en surface, nécessaire pour retourner les mauvaises herbes et briser et aérer le sol.

# Entretien

• Conservez ces directives

## A Maintenance Schedule

### ⚠ AVERTISSEMENT

Avant de procéder à tout entretien arrêtez le moteur et débranchez le câble de la bougie d'allumage, pour prévenir les mises en marche involontaires et les blessures sérieuses.

**IMPORTANT : La garantie touchant cette débroussailleuse ne couvre pas les articles soumis à un abus ou négligence de l'opérateur. Pour recevoir la pleine valeur de la garantie, l'opérateur doit maintenir la débroussailleuse tel que recommandé dans le manuel et n'utiliser que des pièces originales. Le tableau suivant établit l'entretien périodique requis.**

### HORAIRE D'ENTRETIEN PÉRIODIQUE

<b>Enregistrement – Service</b> <b>Consignez les dates à mesure que le service est complété</b>	<b>Avant chaque usage</b>	<b>Après chaque période d'usage de 10 heures</b>	<b>Après chaque période d'usage de 25 heures</b>	<b>Après chaque période d'usage de 50 heures</b>	<b>Après chaque période d'usage de 100 heures</b>	<b>Avant chaque saison</b>	<b>Avant le rangement</b>	<b>Consultez les remarques plus bas</b>
Vérifiez la pression d'air des pneus.	✓							
Vérifier le niveau d'huile du moteur Remplir au niveau approprié	✓					✓		
Nettoyer les débris de l'unité	✓					✓	✓	
Lubrifiez tous les points de pivotement		✓				✓	✓	
Vérifier le serrage des attaches		✓				✓		<b>1</b>
Vérifier la courroie d'entraînement Remplacer au besoin		✓				✓		
Vérifiez les dents pour usure et dommages Remplacer au besoin		✓				✓		
Vérifier le conduit de combustible Remplacer au besoin			✓			✓		
Lubrifiez les essieux de roues			✓			✓	✓	
Vérifier la bougie d'allumage Remplacer au besoin			✓			✓		
Changer l'huile du moteur				✓		✓	✓	<b>2,3</b>
Nettoyer le filtre à air Remplacer au besoin			✓			✓		<b>4</b>
Remplacer la bougie d'allumage					✓			
Nettoyer les dépôts de combustion du cylindre, piston et soupape					✓			
Vérifiez l'huile à transmission			✓			✓		

### ⚠ MISE EN GARDE

#### REMARQUES IMPORTANTES au sujet de l'horaire d'entretien

1. Revérifiez le serrage des attaches, après les 2 premières heures de l'usage initial
2. Changez l'huile du moteur après les 5-8 premières heures de l'usage initial
3. Changez l'huile à chaque 25 heures, si le travail s'effectue dans des conditions de travail intense ou sous de hautes températures
4. Nettoyez le filtre à air à chaque période de 10 heures. Nettoyez plus souvent si le travail s'effectue dans des conditions plus poussiéreuses

### ⚠ AVERTISSEMENT

N'utilisez que des pièces de remplacement ORIGINALES. D'autres pièces pourraient endommager l'unité et causer des blessures.

# Entretien (Suite)

• Conservez ces directives

## **B** Entretien de la motobèche

L'information suivante vous aidera à faire les vérifications nécessaires et procéder aux procédures requises, pour suivre les recommandations normales d'entretien pour votre motobèche. Si vous préférez, votre détaillant local autorisé peut exécuter ces vérifications et procéder aux procédures requises pour vous.

### **AVERTISSEMENT**

Pour prévenir tout démarrage accidentel :  
Le moteur doit être arrêté et froid et le câble de la bougie d'allumage doit être retiré et à l'écart de la bougie, avant de vérifier et régler le moteur ou l'appareil.

### **Changer les Courroies de Marche Avant/Arrière**

(Voir Illust. 12 et 13)

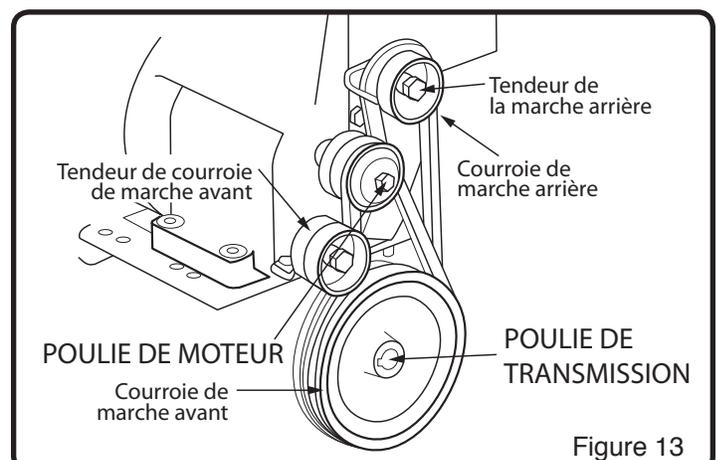
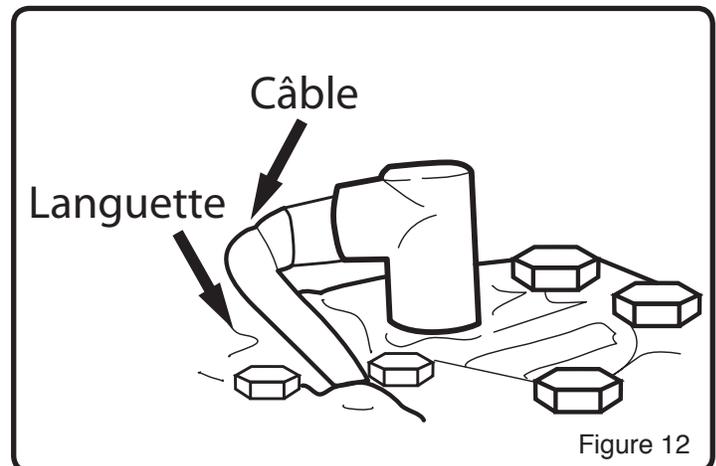
1. Arrêtez le moteur. Le moteur doit être complètement refroidi, avant de procéder.
2. Retirez le câble de la bougie d'allumage et placez-le à l'écart de la bougie.
3. Réduisez la tension de la courroie, en desserrant le contre-écrou inférieur du câble de marche avant et celui de la marche arrière.
4. Retirez les protecteurs de courroie supérieure et inférieure.
5. Pour retirer la courroie d'entraînement de la marche arrière :
  - a. Retirez la courroie du tendeur de la marche arrière.
  - b. Glissez la courroie hors des guides de courroie de marche arrière et de la poulie de moteur.
  - c. Tirez la courroie vers le bas et à l'écart de la poulie de transmission.
6. Pour retirer la courroie d'entraînement de la marche avant :
  - a. Retirez les deux goujons de guidage de la courroie de marche avant et l'ensemble du tendeur de courroie de marche avant.
  - b. Glissez la courroie à l'écart de la poulie de moteur.
  - c. Tirez la courroie vers le bas et à l'écart de la poulie de transmission.
7. Pour installer la courroie d'entraînement de la marche avant :
  - a. Insérez la courroie à partir de la partie inférieure de l'unité et vers le haut et autour de la portion arrière de la poulie de moteur.
  - b. Placez la boucle inférieure de la courroie autour la portion de marche arrière de la poulie de transmission.
  - c. Remplacez les deux goujons de guidage de la courroie de marche avant et l'ensemble du tendeur de courroie de marche avant.
8. Pour installer la courroie d'entraînement de la marche arrière :
  - a. Insérez la courroie à partir de la partie inférieure de l'unité et vers le haut et autour du tendeur de courroie de marche arrière.
  - b. Placez la boucle inférieure de la courroie autour la portion de marche avant de la poulie de transmission.
  - c. Remplacez le tendeur de courroie de marche arrière dans le support du tendeur de courroie de marche arrière. La courroie ne devrait pas aller autour de la poulie de moteur. Assurez-vous que la courroie est située à l'intérieur des goujons de guidage de la

courroie de marche arrière.

9. Resserrez les contre-écrous de marche avant et de marche arrière.
10. Vérifiez la tension de la courroie. Les courroies devraient être desserrées avec les leviers d'embrayage désengagés.
11. Remplacez les protecteurs supérieur et inférieur de courroie.
12. Rebranchez le câble à la bougie d'allumage.
13. Suivez les directives de fonctionnement – faites démarrer le moteur et utilisez le levier d'embrayage de marche avant, pour vérifier le réglage approprié du câble et la tension de la courroie. Voir la section de réglage de tension pour courroie, si un réglage de tension de câble est requis.
14. Faites démarrer le moteur et utilisez le levier d'embrayage de marche arrière, pour vérifier le réglage approprié du câble et la tension de la courroie. Voir la section de réglage de tension pour courroie, si un réglage de tension de câble est requis.

### **AVERTISSEMENT**

Les dents ni les roues ne devraient pas tourner, lorsque le moteur tourne, si la barre de recouvrement est en mode transport (hauteur la plus basse) et que le levier d'embrayage n'est pas engagé.



# Entretien (Suite)

• Conservez ces directives

## **G** Entretien de moteur

### Entretien de Moteur

Référez au manuel du moteur ci-inclus dans votre paquet de pièces, pour obtenir l'information relative à l'entretien de moteur. L'entretien de moteur vous procure une information détaillée et un horaire pour l'exécution des tâches suivantes :

1. Vérifiez le niveau d'huile avant chaque usage ou après chaque période de 8 heures d'usage.
2. Changez l'huile après les premières 5 à 8 heures d'usage. Changez l'huile lorsque le moteur est chaud. Remplissez à l'aide d'une nouvelle huile de type recommandé.
3. Vérifiez la bougie d'allumage une fois l'an ou à chaque période de 100 heures d'usage.
4. Nettoyez votre filtre à air.
5. Maintenez propres le moteur et les pièces.
6. Vérifiez souvent le moteur et l'appareil, pour détecter la présence de boulons et d'écrous desserrés. Maintenez ces articles bien resserrés.

### Vérifier ou Remplir le Carter de Moteur

**IMPORTANT: le moteur est expédié de l'usine sans huile. Vous devez ajouter de l'huile avant de faire démarrer le moteur.**

1. Ajoutez de l'huile selon les directives du manuel de moteur. Évitez un trop-plein. Utilisez une huile détergente de haute qualité. Ne mélangez pas d'essence à l'huile. Le niveau d'huile doit être à son maximum. Vérifiez le niveau d'huile, en retirant le bouchon de remplissage d'huile.
2. Vérifiez toujours le niveau d'huile, avant de faire démarrer le moteur. Référez au manuel de moteur pour la capacité et le type d'huile à utiliser.

### Vérifier L'huile À Transmission de la Motobèche

**IMPORTANT : La transmission de la motobèche est expédiée de l'usine avec la quantité appropriée d'huile. Au moment de remplacer l'huile, la transmission de la motobèche contient de 800 à 900 ml (27 à 30 oz US). Évitez le trop-plein.**

**Vérifiez le niveau d'huile une fois l'an. Pour vérifier le niveau d'huile :**

1. Déplacez la motobèche vers une surface plane.
2. Retirez la jauge graduée située entre le montage des guidons sur la structure du moteur. Si le niveau d'huile est près ou sous la limite inférieure, remplissez d'huile jusqu'au niveau recommandé.
3. Remplacez la jauge graduée dans le tube de remplissage.
4. Notez que la transmission des roues motrices et la transmission du dispositif de dents arrière possèdent un réservoir commun. Lorsque vous ajoutez à la transmission avant, vous devez attendre une courte période de temps pour que l'huile se rende à la partie arrière et s'égalise à la fois à l'avant et à l'arrière. La jauge graduée offrira une lecture correcte, sur une surface plane pour les deux unités d'engrenages.

### Vérifier la Pression des Pneus

La pression recommandée des pneus est de 25-30 PSI. Si les pneus ne possèdent pas une pression égale, la motobèche subira un effet de traction d'un côté. Une basse pression des

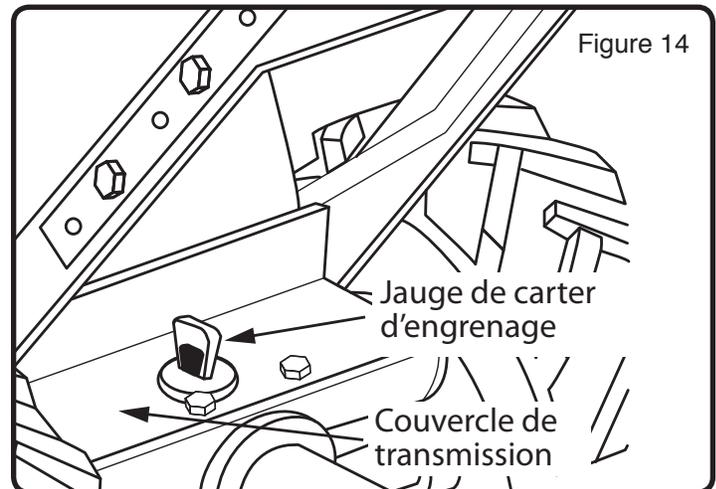
pneus pourrait endommager le tube de pneus.

### Lubrification

Une lubrification appropriée des pièces mécaniques mobiles est un élément critique, relativement au soin et à l'entretien. Lubrifiez les pièces mobiles illustrées à des intervalles de 10 heures, à l'aide d'une huile de grade SAE 30.

### Nettoyer L'arbre de L'essieu des Dents

1. Arrêtez le moteur. Le moteur doit être refroidi.
2. Retirez le câble de la bougie d'allumage et maintenez-le à l'écart de la bougie.
3. Renversez la motobèche vers l'avant. Bloquez la motobèche en position, de façon à ce qu'elle repose sur la structure du moteur et que les dents soient exposées.
4. Retirez toute végétation, corde, fil et quelque autre matériel ayant pu s'accumuler sur l'essieu entre le jeu de dents intérieures et le couvercle scellant, situé sur le boîtier de la transmission.
5. Ramenez la motobèche en position originale de niveau.
6. Remplacez le câble de la bougie d'allumage.





## Entretien (Suite)

• Conservez ces directives

### **D** Comment se préparer pour le rangement

#### **⚠ AVERTISSEMENT**

Ne rangez jamais la motobèche à l'intérieur avec du combustible dans le réservoir. Ne la rangez jamais dans un espace fermé et mal ventilé, où les vapeurs pourraient rejoindre une flamme nue, une étincelle ou une flamme pilote d'une fournaise, chauffe-eau ou sècheuse. Laissez le moteur refroidir avant de ranger l'unité.

#### **⚠ AVERTISSEMENT**

Ne retirez pas d'essence lorsque vous êtes dans un édifice, près d'un feu ou pendant que vous fumez. Les vapeurs d'essence peuvent causer une explosion ou un incendie.

**REMARQUE :** Une vérification ou une mise au point annuelle auprès d'un centre de service autorisé vous assurera que la débroussailleuse vous offrira un rendement maximum pour la saison prochaine.

Lorsque la motobèche est rangée pour trente jours ou plus, les étapes suivantes devraient être suivies, pour vous assurer que la motobèche est en bonne condition pour la saison suivante. Pour empêcher les dépôts de gomme d'essence et la corrosion dans le carburateur et le circuit de carburant de l'appareil, il est fortement recommandé d'utiliser un additif/stabilisateur de carburant conçu pour les carburants à l'éthanol. Suivez les instructions du fabricant du stabilisateur. Laissez tourner le moteur pendant au moins 5 minutes après avoir ajouté le stabilisateur.

1. Laissez le moteur rouler jusqu'à ce qu'il soit à bout d'essence. Retirez la vis du carburateur de la cuve et videz le carburant. Inclinez légèrement l'appareil pour vidanger tout le carburant. Remettez la vis en place.
2. Changez l'huile en suivant les directives dans la section «Comment changer l'huile à moteur».
3. Retirez la bougie d'allumage du cylindre. Versez 30 ml (1 oz liq. US) d'huile dans le cylindre. Lentement, tirez la poignée du lanceur à rappel, de façon à ce que l'huile protège le cylindre. Installez une nouvelle bougie d'allumage dans le cylindre. Lentement, tirez la poignée du lanceur à rappel à quelques reprises pour distribuer l'huile. Lentement, tirez la poignée du lanceur à rappel, jusqu'à ce qu'une pression soit ressentie. Cette procédure fermera les soupapes du cylindre.

#### **⚠ AVERTISSEMENT**

Ne fixez PAS le câble de la bougie d'allumage, lorsque vous rangez l'unité.

4. Nettoyez la motobèche. Retirez toute trace de saleté, feuilles, débris, graisse, etc. de la motobèche - incluant les ventilateurs de cylindre, orifices du couvercle de lanceur à rappel, sous le réservoir de combustible et sous le silencieux.
5. Vérifiez la motobèche pour détecter la présence de pièces usées ou endommagées. Selon le besoin, faites remplacer les pièces endommagées.
6. Resserrez toute fixation desserrée.
7. Appliquez la lubrification, tel que recommandé dans la section d'entretien.
8. Placez l'unité dans un édifice possédant une ventilation adéquate.
9. Recouvrez la motobèche d'un matériel non hermétique.

## Service technique

Il est possible que vous ayez d'autres questions au sujet de l'assemblage, du fonctionnement ou de l'entretien de cette MOTOBECHE. Dans ce cas, vous pouvez contacter notre département de service technique au 1-800-737-2112 (Anglais seulement). Vous pouvez également nous écrire :

#### **METL - CORRESPONDANCE SEULEMENT**

**ATT'N: Service technique- METL**

**6700 Wildlife Way**

**Long Grove, IL 60047**

**En contactant le département de service technique, ayez en main :**

- Votre nom
- Votre adresse
- Votre numéro de téléphone



**Si vous avez besoin d'assistance ou devez trouver des pièces manquantes, APPELEZ SANS FRAIS : 1-800-737-2112.**

- Numéro de modèle du produit
- Date de l'achat  
(inclure une copie de votre reçu pour les demandes écrites)
- Code de date sur l'unité

# Dépannage

• Conservez ces directives

PROBLÈME	CAUSE(S) POSSIBLE(S)	SOLUTION(S)
Moteur difficile à démarrer	<ol style="list-style-type: none"> <li>1. À court de combustible</li> <li>2. Interrupteur de moteur fermé (OFF)</li> <li>3. Moteur non amorcé</li> <li>4. Câble de bougie d'allumage débranché</li> <li>5. Bougie d'allumage encrassée</li> <li>6. Carburateur souillé</li> <li>7. Filtre à air bloqué</li> <li>8. Combustible contaminé</li> </ol>	<ol style="list-style-type: none"> <li>1. Ajoutez combustible frais</li> <li>2. Placez l'interrupteur du moteur en position «ON»</li> <li>3. Déplacez le levier de l'étrangleur en position «ON»</li> <li>4. Branchez le câble de bougie d'allumage à la bougie d'allumage</li> <li>5. Retirez la bougie d'allumage. Inspectez-la. Remplacez-la au besoin</li> <li>6. Apportez l'unité à un centre de service autorisé pour un nettoyage du carburateur</li> <li>7. Retirez et nettoyez le filtre à air</li> <li>8. Drainez le réservoir de combustible. Nettoyez le réservoir de combustible. Remplissez de combustible frais</li> </ol>
<u>Problèmes de moteur</u> Moteur émet une fumée excessive Moteur roule de façon très irrégulière Moteur a des ratés Moteur ne peut maintenir sa pleine vitesse	<ol style="list-style-type: none"> <li>1. Sand huile de moteur</li> <li>2. Huile de moteur – niveau inapproprié</li> <li>3. Bougie d'allumage encrassée</li> <li>4. Filtre à air bloqué</li> <li>5. Combustible contaminé</li> <li>6. Carburateur en besoin de réglage</li> </ol>	<ol style="list-style-type: none"> <li>1. Ajoutez de l'huile à moteur</li> <li>2. Vérifiez l'huile à moteur. Ajoutez ou drainez l'huile à moteur au besoin</li> <li>3. Retirez la bougie d'allumage. Inspectez-la. Remplacez-la au besoin</li> <li>4. Retirez et nettoyez le filtre à air</li> <li>5. Drainez le réservoir de combustible. Nettoyez le réservoir de combustible. Remplissez de combustible frais</li> <li>6. Apportez l'unité à un centre de service autorisé pour un nettoyage du carburateur</li> </ol>
Vibration / bruit excessif	<ol style="list-style-type: none"> <li>1. Pièces desserrées</li> <li>2. Problèmes de moteur (haut)</li> <li>3. Bruit anormal ou grincement provenant de l'entraînement par courroie</li> </ol>	<ol style="list-style-type: none"> <li>1. Resserrez toutes les attaches</li> <li>2. Référez aux problèmes de moteur (haut)</li> <li>3. Normalement, en raison de la courroie et la poulie dans la période de rodage. Référez à la section de réglage de tension pour courroie</li> </ol>
Les dents ne tournent pas	<ol style="list-style-type: none"> <li>1. Débris interférant avec les dents</li> <li>2. Dents desserrées</li> <li>3. Réglage inapproprié du câble d'entraînement</li> <li>4. Courroies d'entraînement endommagées</li> </ol>	<ol style="list-style-type: none"> <li>1. Retirez les débris enchevêtrés autour des dents</li> <li>2. Replace tins bolts and nuts</li> <li>3. Référez à la section de "réglage de tension pour courroie" pour réduire la tension de la courroie</li> <li>4. Remplacez les courroies d'entraînement</li> </ol>
Tines continue to rotate when drive lever is not engaged	<ol style="list-style-type: none"> <li>1. Réglage inapproprié du câble d'entraînement</li> <li>2. Courroies d'entraînement endommagées</li> </ol>	<ol style="list-style-type: none"> <li>1. Référez à la section de "réglage de tension pour courroie" pour réduire la tension de la courroie</li> <li>2. Remplacez les courroies d'entraînement</li> </ol>
Moteur ne s'arrête pas	Vérifiez l'interrupteur	Remplacez l'interrupteur.
Les dents ne coupent pas correctement	Les dents sont assemblées incorrectement	Référez à la section "Installez les dents"
Le moteur cale fréquemment	<ol style="list-style-type: none"> <li>1. Vitesse / profondeur excessive de labourage</li> <li>2. Problèmes de moteur (haut)</li> </ol>	<ol style="list-style-type: none"> <li>1. Labourez à vitesse modérée. Assurez-vous de faire plusieurs passes.</li> <li>2. Référez aux problèmes de moteur (haut)</li> </ol>

# Garantie

• Conservez ces directives

## **A** Garantie limitée **MOTOBÈCHE ROTATIVE Southland®**

Spécifiez toujours le numéro de modèle en contactant l'usine.

Nous nous réservons le droit de modifier ces spécifications en tout temps sans préavis. La seule garantie applicable est notre garantie régulière écrite. Nous n'offrons aucune autre garantie, expresse ou implicite. MAT Engine Technologies, LLC garantit que cette débroussailleuse et toute autre pièce constituante sera libre de tout défaut relatif aux matériaux et à la main-d'œuvre, pendant une période de deux ans (90 jours pour un usage commercial), à partir de la date du premier achat auprès d'un concessionnaire autorisé, à condition que le produit ait été entretenu et opéré adéquatement, selon les directives applicables. Cette garantie est accordée seulement à l'acheteur original au détail. Le contrat de vente ou la preuve d'achat doit être présentée au moment où une réclamation est faite au titre de la garantie. Cette garantie ne couvre pas un usage industriel ou de location; elle ne couvre pas non plus les pièces qui ne sont pas dans leur condition originale, due à l'usure normale ou des pièces qui sont défectueuses ou qui deviennent endommagées, suite à un mauvais usage, accident, manque d'entretien approprié, modification ou altération. Des exceptions en regard de la période régulière de garantie touchent l'usure normale de certains articles, tels : lames de coupe, têtes équipées de fils de coupe, lames de tarières, filtres à air et bougies d'allumage ; ces articles ne sont couverts que pour une période de 60 jours contre tout défaut relatif aux matériaux et à la main-d'œuvre. Les frais de déplacement, manutention, transport et autres frais additionnels associés aux réparations sous garantie ne sont pas remboursables sous cette garantie et demeurent la responsabilité du propriétaire. Dans la mesure autorisée par la loi de la juridiction régissant la vente de ce produit, cette garantie expresse exclut toutes les autres garanties expresses et limite la durée de toutes les garanties implicites, incluant les garanties de qualité marchande ou d'adaptation à un usage particulier à une période de deux ans, à partir de la date du premier achat et MAT Engine Technologies, LLC ne sera en aucun cas tenu responsable de quelque dommage que ce soit, incluant les dommages indirects, accessoires ou consécutifs. Certains états / provinces ne permettent la limitation de la durée d'une garantie implicite ou l'exclusion des dommages accessoires ou consécutifs; ainsi les limitations ci-haut mentionnées pourraient ne pas s'appliquer envers vous. Cette garantie confère à l'acheteur original des droits juridiques spécifiques.

Pour obtenir plus d'information au sujet de ces droits, veuillez consulter les lois applicables selon l'état / province.

**METL - CORRESPONDANCE SEULEMENT**  
**ATT'N: Service technique- METL**  
**6700 Wildlife Way**  
**Long Grove, IL 60047**

La garantie du système de contrôle des émissions est fournie par le fabricant du moteur et est incluse avec ce produit et administrée par MAT Engine Technologies, LLC.

**Si vous avez des questions au sujet de la couverture de votre garantie, vous devriez contacter le service à la clientèle de METL**



**Si vous avez besoin d'assistance ou si vous avez des questions, APPELER SANS FRAIS : 1-800-737-2112.**



## **Manual de operación MOTOCULTIVADORA ROTATIVA CON TREN DE AZADA POSTERIOR**

**Modelo N.º SRTT212**

### **Contenido:**

	Página
Definiciones de seguridad . . . . .	53
Información importante sobre seguridad . . . . .	54-56
Especificaciones del producto . . . . .	57
Piezas y características . . . . .	57
Marbetes de seguridad. . . . .	58
Montaje. . . . .	59-61
Preparación del motor . . . . .	62
Operación. . . . .	63-67
Mantenimiento . . . . .	68-71
Servicio técnico . . . . .	71
Diagnóstico y resolución de problemas . . . . .	72
Garantía . . . . .	73-76



**Anotar lo siguiente para referencia futura:**

**Código de fecha de fabricación:** \_\_\_\_\_

**Fecha de compra:** \_\_\_\_\_ **adjuntar una copia del recibo de venta.**

**Número gratuito para el consumidor: 1-800-737-2112**

**Consúltese el sitio web para obtener una copia electrónica del manual y el catálogo de piezas.  
[www.southlandpowerequipment.com](http://www.southlandpowerequipment.com)**

### **IMPORTANTE:**

Gracias por comprar esta motocultivadora Southland®

Este manual brinda instrucciones completas para la operación y mantenimiento seguros de la motocultivadora. Leer y guardar estas instrucciones. Siempre consultar este manual antes de utilizar la motocultivadora.

#### **ADVERTENCIA**

CONTIENE PLOMO. Puede ser dañino si se ingiere o se mastica. Puede generar polvo que contenga plomo. Lávese las manos después del uso. Manténgalo fuera del alcance de los niños.

#### **⚠ ADVERTENCIA**

Ce produit peut vous exposer à des produits chimiques, y compris le plomb qui est reconnu par l'état de la Californie. Este producto puede exponerte a elementos químicos, incluso plomo, que el Estado de California reconoce como causante de cáncer, malformaciones congénitas u otros daños al sistema reproductivo. Para más información, visita [www.P65Warnings.ca.gov](http://www.P65Warnings.ca.gov).



**Si se tienen preguntas o problemas...**

**Número gratuito para el consumidor: 1-800-737-2112**

**GUÁRDESE ESTE MANUAL PARA REFERENCIA FUTURA**

# Definiciones de seguridad

• Guardar estas instrucciones

## Símbolos de alerta sobre seguridad

Los símbolos siguientes se utilizan en el producto y en este manual para alertar al operador sobre riesgos potenciales de seguridad. Leerlos detenidamente y entender su significado.

 <b>PELIGRO</b>	Indica una situación inminentemente peligrosa que, si no se evita, resultará en muerte o lesiones graves.
 <b>ADVERTENCIA</b>	Indica una situación potencialmente peligrosa que, si no se evita, podría resultar en lesiones graves o la muerte.
 <b>CUIDADO</b>	Indica una situación potencialmente peligrosa que, si no se evita, podría resultar en lesiones menores o moderadas.
<b>AVISO</b>	Indica una práctica no relacionados con lesiones personales que si no se evita, podrán resultar en daños a la propiedad.

Los símbolos siguientes pueden referirse a la seguridad y pueden encontrarse sobre la segadora de hilo. Leerlos cuidadosamente y comprender su significado.

## Símbolos de advertencia sobre seguridad

	Busque este símbolo que indica precauciones de seguridad importantes, respecto a riesgos de lesiones. <b>Significa: ¡Atención! ¡Esté alerta! Su seguridad está en juego.</b>
	Leer el manual de operación antes de utilizar esta máquina. El no seguir las directrices podría conducir a lesiones graves.
	Objetos lanzados. Retirar toda roca, piedra u objetos extraños que pudieran ser lanzados por la máquina.
	No utilizar la motocultivadora ante la presencia de niños o circunstancias.
	Rotating tines can cause serious injury. Keep hands, feet, and clothing away.
	Usar protección ocular que cumpla con la norma ANSI Z87.1 y protección auditiva.
	Desconectar el cable de la bujía cuando la motocultivadora no esté en uso o antes de dar servicio técnico, limpiar o dar mantenimiento a la unidad.
	Los gases de escape del motor contienen monóxido de carbono, un gas inodoro y letal. JAMÁS hacer funcionar la unidad en espacios interiores o en áreas con ventilación deficiente.
	NO tocar el silenciador ni el cilindro calientes. Estas piezas están sumamente calientes debido al funcionamiento y podrían permanecer calientes durante un período de tiempo corto después del funcionamiento.
	Para reducir el riesgo de incendio, limpiar el combustible y aceite derramados y mantener la unidad libre de residuos. La gasolina es sumamente inflamable. Dejar que la máquina enfríe antes de reabastecerla de combustible.

## Símbolos de control y operación

	<b>Admisión para llenado de aceite:</b> No sobrellenar
	<b>Palanca del embrague:</b> El abatimiento de la palanca superior engrana las azadas e impulsa las ruedas para la operación de labranza. El abatimiento de la palanca inferior engrana las azadas e impulsa las ruedas para invertir el sentido de la motocultivadora.
	<b>Control del regulador:</b> Mover la barra de arrastre hacia la izquierda para aumentar la velocidad del motor; moverla hacia la derecha para disminuirla.
	<b>Válvula de ALIMENTACIÓN/CORTE de combustible:</b> Mover la palanca de la válvula de combustible hacia la derecha hasta la posición ON para operar el rotocultivador.
	<b>Palanca del estrangulador:</b> Mover la palanca del estrangulador hacia la izquierda para arrancar el motor en frío. Mover la palanca del estrangulador hacia la derecha una vez el motor está en marcha o para arrancar el motor en caliente.

Información importante sobre seguridad

# Información importante sobre seguridad

• **Conserve todas las instrucciones**

## Responsabilidad del Operador

1. Leer detenidamente y seguir estas instrucciones de seguridad. El hacer caso omiso de éstas puede conducir a lesiones graves.
2. Conózcase el producto. Leer y entender este manual antes de utilizar la unidad. Comparar las ilustraciones con la unidad. Aprenderse la ubicación y función de todos los controles. Un entendimiento exhaustivo de la unidad antes de utilizarla redundará en rendimiento y seguridad óptimos.
3. Seguir todas las instrucciones al montar la unidad. Si se compró la unidad ya montada, el operador ha de revisar la unidad cuidadosamente para asegurarse que se montó de conformidad con las instrucciones en el manual antes de utilizarla.
4. Inspeccionar la motocultivadora periódicamente. Verificar que no hayan piezas dobladas, dañadas o flojas.
5. Utilizar este equipo únicamente para su uso previsto.
6. Utilizar la unidad sólo con protectores, cubiertas y otros elementos de seguridad instalados y en buenas condiciones.
7. Utilizar sólo con piezas de repuesto autorizadas o aprobadas para dar mantenimiento a la unidad.
8. Completar todo mantenimiento y ajuste de la unidad conforme a las instrucciones en este manual.

## ⚠ ADVERTENCIA

Este producto puede exponerte a elementos químicos, incluso plomo, que el Estado de California reconoce como causante de cáncer, malformaciones congénitas u otros daños al sistema reproductivo. Para más información, visita [www.P65Warnings.ca.gov](http://www.P65Warnings.ca.gov).

## ⚠ ADVERTENCIA

Para evitar el arranque accidental al montar, transportar, ajustar o efectuar reparaciones, siempre desconectar el cable de la bujía y colocarlo donde no pueda entrar en contacto con ésta.

## Seguridad Durante la Preparación

### ⚠ ADVERTENCIA

- Leer, entender y seguir todas las instrucciones en la máquina y en este manual. Familiarizarse completamente con los controles y el uso apropiado de la motocultivadora antes del arranque. Sépase cómo parar el motor rápidamente.
- Familiarizarse con todos los marbetes de seguridad y funcionamiento en este equipo.

### ⚠ ADVERTENCIA

- Inspeccionar completamente el área en que se va a utilizar la motocultivadora y retirar todo objeto extraño. La motocultivadora puede lanzar objetos pequeños a gran velocidad y causar lesiones personales o daños materiales. Mantenerse alejado de objetos frágiles, tales como ventanas de viviendas, vidrios de automóviles, invernaderos, etc.
- Verificar, antes de cada uso, que todas las tuercas y pernos estén apretados y que el equipo esté en buenas condiciones.

## Seguridad Durante la Operación

- Jamás permitir que niños o adolescentes jóvenes operen la motocultivadora.

### ⚠ ADVERTENCIA

- Mantener el área de trabajo libre de circunstancias, particularmente niños pequeños y mascotas.
- Permitir solo a individuos responsables, familiarizados con las instrucciones, operar la motocultivadora.

### ⚠ ADVERTENCIA

- No operar la motocultivadora bajo la influencia de alcohol, fármacos u otro medicamento que pudiera causar somnolencia o afectar la capacidad de operar la máquina de manera segura.
- No utilizar esta máquina si se es mental o físicamente incapaz de operarla de manera segura.
- Al operar la motocultivadora, siempre usar gafas de seguridad con resguardos laterales, homologadas por ANSI, para protegerse los ojos contra objetos extraños que pudieran ser lanzados por la unidad.
- Vestir indumentaria apropiada tal como una camisa o chaqueta de manga larga. También, vestir pantalones largos. NO vestir pantalones cortos. NO vestir indumentaria holgada que pudiera atorarse en este equipo.
- Siempre usar guantes de trabajo y calzado robusto tal como zapatos de cuero para trabajo o botas cortas. Éstos protegen los tobillos y la tibia contra palos pequeños, astillas y otros despojos lanzados. Asimismo, éstos mejoran la tracción.

# Información importante sobre seguridad (Continuación)

## • Conserve todas las instrucciones

### Seguridad Durante la Operación (Continuación)

- Es aconsejable usar equipo para protegerse la cabeza contra golpes de partículas pequeñas lanzadas, o contra golpes de ramas bajas, ramitas u otros objetos que pudieran pasar desapercibidos por el operador.

#### **⚠ ADVERTENCIA**

- No colocar ni las manos ni los pies cerca de piezas rotativas o debajo de las mismas.
- Tener sumo cuidado al operar la motocultivadora sobre accesos, andenes o caminos con grava; o bien, al cruzarlos. Mantenerse alerta por peligros ocultos o tránsito.

#### **⚠ ADVERTENCIA**

- Tener cuidado para no deslizarse o caerse. Siempre asegurar el apoyo de los pies; mantener una sujeción firme del asidero y caminar; jamás correr. Jamás operar la motocultivadora a velocidades altas de transporte sobre superficies lisas.
- Jamás operar la motocultivadora sin buena visibilidad o luz.

#### **⚠ PELIGRO**

- No poner en marcha el motor en espacios interiores o dentro de un área encerrada. Los gases del escape son peligrosos; contienen MONÓXIDO DE CARBONO, un GAS INODORO Y LETAL.
- Jamás dejar la motocultivadora desatendida mientras el motor está en marcha. Parar el motor y asegurarse que todas las piezas móviles hayan parado. Desconectar el cable de la bujía.
- Tener cuidado con agujeros, surcos, abultamientos u otro terreno escabroso. El pasto alto puede ocultar obstáculos.
- Siempre ver hacia atrás, hacia abajo y tener cuidado al usar el retroceso o tirar de la motocultivadora hacia sí mismo.
- Jamás intentar arrancar la motocultivadora a menos que ambas ruedas estén en la posición inmovilizada. Esto actúa como un freno para la motocultivadora. Siempre arrancar la motocultivadora en una superficie a nivel.

#### **⚠ ADVERTENCIA**

- Desenganchar la palanca del embrague y parar el motor antes de dejar la motocultivadora en la posición de operación. Es perar hasta que las azadas paren completamente antes de retirar despojos o efectuar cualquier ajuste en la motocultivadora.

#### **⚠ CUIDADO**

- No intentar labrar suelo duro, labrar demasiado profundo o labrar a una velocidad demasiado rápida que pudiera sobrecargar la motocultivadora.
- Si la motocultivadora comenzara a vibrar anormalmente, parar el motor, desconectar el cable de la bujía y evitar que éste haga contacto con la bujía. Tratar de identificar la causa inmediatamente. Generalmente, la vibración indica problemas.

### Seguridad del Combustible

#### **⚠ ADVERTENCIA**

- La gasolina es sumamente inflamable y los vapores de gasolina pueden explotar si se los enciende. Manipularla con cuidado.
- Utilizar un contenedor aprobado.
- Revisar el nivel de combustible antes de cada uso; dejar espacio para expansión puesto que el calor del motor o el sol puede causar la expansión del combustible.
- Llenar el tanque de combustible al aire libre con sumo cuidado. Jamás llenar el tanque de combustible en espacios interiores.
- Jamás retirar la tapa del combustible ni abastecer combustible con el motor en marcha. Dejar que el motor enfríe antes de reabastecerlo de combustible.

#### **⚠ ADVERTENCIA**

- No fumar mientras se reabastece combustible.
- Después del reabastecimiento de combustible, colocar nuevamente la tapa del tanque de combustible de manera segura y enjugar el combustible derramado.
- Jamás almacenar combustible o la motocultivadora con combustible en el tanque dentro de un edificio donde los vapores podrían llegar a una llama abierta.
- Jamás llenar contenedores de gasolina o el tanque de combustible de la motocultivadora dentro de un vehículo o en la cama de un camión. Una descarga eléctrica estática accidental puede encender los vapores de combustible, lo cual podría resultar en lesiones graves o la muerte.



# Información importante sobre seguridad (Continuación)

## • Conserve todas las instrucciones

### Seguridad de Almacenamiento

- Siempre consultar las instrucciones del Manual del operador para obtener información importante pormenorizada si se va a guardar la motocultivadora durante un período de tiempo prolongado.
- Jamás almacenar la motocultivadora con combustible en el tanque dentro de un edificio donde haya fuentes de ignición tales como calentadores de agua, calentadores unitarios, secadoras de ropa, etc.
- Para reducir el riesgo de incendio, mantener la motocultivadora libre de césped, hojas y acumulación de otros residuos.
- Dejar que el motor enfríe antes de almacenarlo en un recinto.

### Seguridad Durante la Reparación, Mantenimiento y Ajuste

- Después de golpear un objeto extraño, parar el motor. Desconectar el cable de la bujía y mantenerlo alejado de ésta para evitar un arranque accidental. Inspeccionar exhaustivamente la motocultivadora para determinar si ha sufrido daños. Si está dañada, efectuar las gestiones para que un técnico capacitado la repare antes de arrancarla y utilizarla nuevamente.

### ⚠ ADVERTENCIA

- Parar el motor antes de limpiar, reparar o inspeccionar la unidad. Verificar que todas las piezas móviles hayan parado. Dejar que el motor enfríe. Desconectar el cable de la bujía y alejarlo de ésta.
- Jamás intentar ajuste alguno mientras el motor esté en marcha, excepto cuando así lo recomiende el fabricante específicamente.
- Mantener la motocultivadora en condiciones de funcionamiento seguro. Revisar todos los sujetadores a intervalos frecuentes para una sujeción adecuada.
- Al dar mantenimiento a la motocultivadora o repararla, no inclinar la máquina lateral o longitudinalmente a menos que así lo instruya este Manual específicamente. Los procedimientos de mantenimiento y reparación se pueden efectuar con la motocultivadora en la posición vertical. Algunos procedimientos son más fáciles si se coloca la máquina sobre una plataforma o superficie de trabajo elevada.
- Utilizar sólo equipo original o piezas de repuesto autorizadas.

### ⚠ ADVERTENCIA

- Jamás manipular imprudentemente los dispositivos de seguridad. Verificar el funcionamiento apropiado de los mismos periódicamente.
- No cambiar la configuración del regulador del motor ni sobreacelerar el motor.
- Limpiar y reemplazar los marbetes de seguridad e instrucciones según sea necesario.
- Para prevenir el sobrecalentamiento del motor, siempre tener el filtro de impurezas limpio e instalado en el motor.

### Seguridad de Niños

### ⚠ ADVERTENCIA

- Accidentes trágicos pueden ocurrir si el operador no está alerta a la presencia de niños. A menudo, los niños se ven atraídos por la motocultivadora y la labranza misma.
- Mantener a los niños fuera del área de labranza y bajo la supervisión de un adulto responsable.
- Jamás suponer que los niños permanecerán donde se los vio la última vez.
- Estar alerta y apagar la motocultivadora si algún niño entra en el área.
- Antes de retroceder y mientras se retrocede, ver hacia atrás y hacia abajo para asegurarse que no haya niños pequeños.
- Jamás permitir que niños operen la motocultivadora.
- Tener sumo cuidado al utilizar la motocultivadora cerca de esquinas sin visibilidad clara, arbustos, árboles u otros objetos que pudieran obstruir la visión.

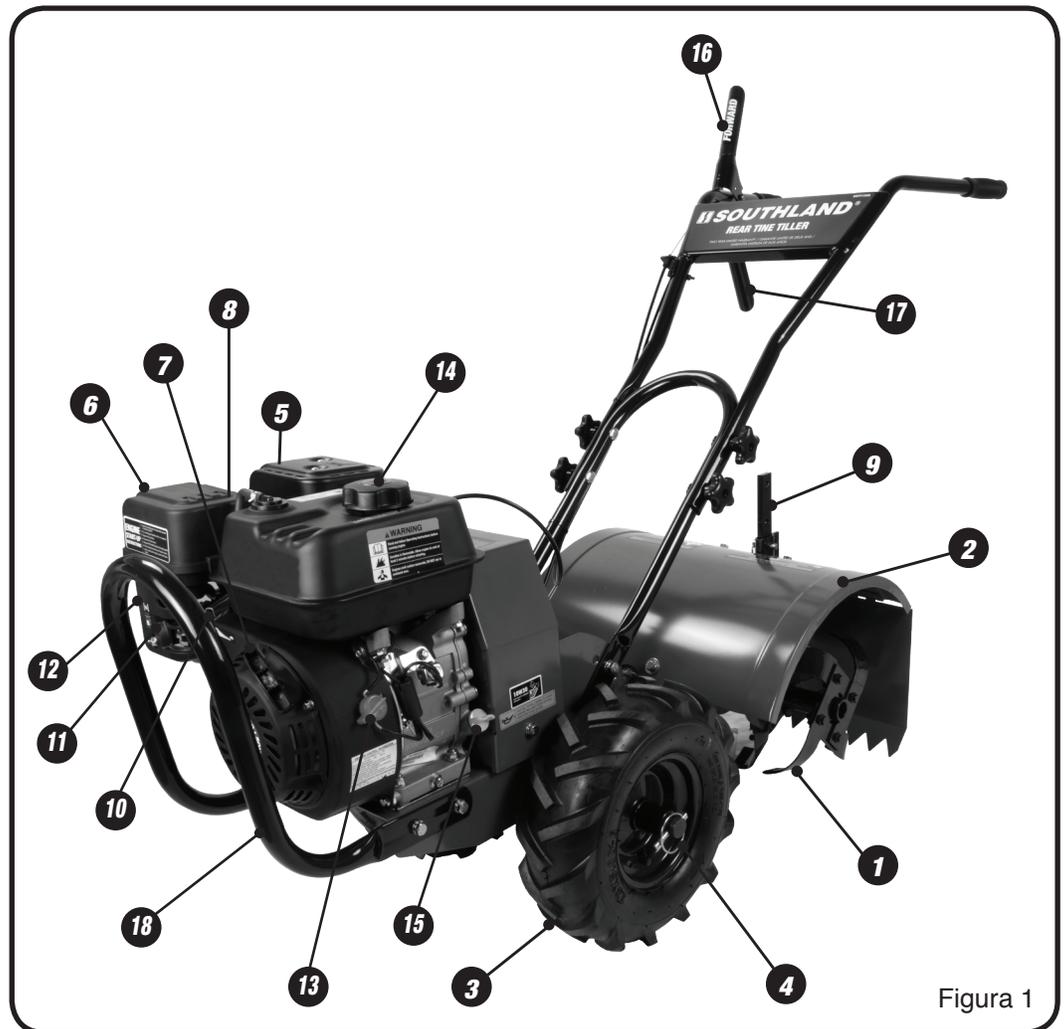
# Especificaciones del producto

• *Conserve todas las instrucciones*

Peso de la unidad . . . . .	70 kg (154 lb)	Tipo de motor . . . . .	Válvula en la culata, 4 tiempos
Anchura de labranza . . . . .	45,7 cm (18 pulg.)	Cilindrada del motor . . . . .	212 cm <sup>3</sup>
Profundidad de labranza . . . . .	hasta 20,3 cm (8 pulg.)	Velocidad del motor (admisión plena) . . . . .	3600 rpm
Diámetro de azada . . . . .	27,9 cm (11 pulg.)	Velocidad del motor (marcha en vacío) . . . . .	2100 rpm
Tipo de gasolina . . . . .	Regular, sin plomo, 87 octanos (mín.)	Par de torsión nominal . . . . .	10,3 ft·lbf par de torsión bruto según SAE J1940
Capacidad de gasolina . . . . .	3,6 l (3,8 US qt.)	Diámetro interior x carrera . . . . .	70 x 55 mm (2.76 x 2.17 in)
Tipo de aceite para motor (API SG-SL) . . . . .	Se recomienda 10W-30 para toda temperatura de servicio. Véase la página 62 para información adicional.	Huelgo de la válvula de admisión . . . . .	0.08 - 0.12 mm (0.003 - 0.005 in)
Capacidad de aceite de motor . . . . .	550 mL (19 US oz)	Huelgo de la válvula de escape . . . . .	0.16 - 0.20 mm (0.006 - 0.008 in)
Tipo de aceite de transmisión . . . . .	SAE 85W-140 / 90W-140	Ángulo de ignición . . . . .	25°
Capacidad de aceite de transmisión . . . . .	900 ml (30 US oz)	Tamaño de las llantas . . . . .	13x5.00-6 banda de rodadura direccional para tractor
Bujía . . . . .	Torch F7RTC	Presión de las llantas . . . . .	1.4 bar mín./2.1 bar máx. (25 psi min/30 psi max)
Distancia entre electrodos de la bujía . . . . .	0.5-0.8 mm (0.020-0.028 in)		

## Piezas y características

1. Azadas
2. Cubierta de azadas
3. Ruedas
4. Pasador de seguridad de rueda
5. Silenciador
6. Filtro de aire
7. Empuñadura del arrancador de retroceso
8. Bujía / Cable de bujía
9. Barra de regulación de profundidad
10. Control del regulador
11. Válvula de ALIMENTACIÓN/ CORTE de combustible
12. Control del estrangulador
13. Interruptor de encendido/apagado (On/Off)
14. Tapa del tanque de combustible
15. Varilla medidora del nivel de aceite
16. Palanca de avance
17. Palanca de retroceso
18. Protector delantero



# Marbetes de seguridad

• **Conserve todas las instrucciones**

Esta motocultivadora se ha diseñado y fabricado para brindar la seguridad y confiabilidad que se debería esperar de un líder de la industria en la fabricación de equipo motorizado para espacios exteriores.

Aunque leer este manual y las instrucciones de seguridad que contiene proporciona el conocimiento básico necesario para operar este equipo de manera segura y eficaz, se han colocado varios marbetes de seguridad en la motocultivadora para recordar al operador esta importante información mientras opera la unidad.

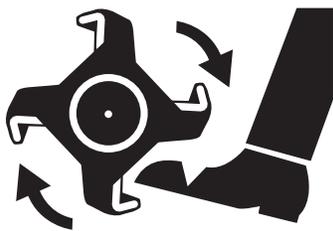
Estos importantes marbetes de seguridad se ilustran a continuación y se muestran aquí para ayudar a familiarizarse con la ubicación y contenido de los mensajes de seguridad que el operador verá durante las operaciones normales de labranza. Revísense estos marbetes ahora mismo. Si se tiene alguna pregunta con respecto a su significado

o a cómo cumplir estas instrucciones, leer nuevamente el texto completo de la instrucción de seguridad en las páginas que anteceden, o bien, contáctese al concesionario local autorizado.

Si alguno de los marbetes de seguridad se vuelve ilegible debido al desgaste, desvanecimiento o daño durante el uso de la motocultivadora, contáctese al concesionario local autorizado para pedir un marbete nuevo.

Los marbetes de seguridad se aplican fácilmente y actúan como un recordatorio visual constante para el operario y otros que pudieran usar el equipo. Seguir las instrucciones de seguridad es necesario para la operación segura y eficaz de la motocultivadora.

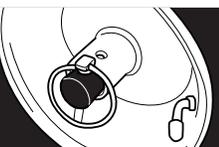
<b>⚠ WARNING</b>	
<b>AVOID SERIOUS INJURY OR DEATH.</b>	
 <ul style="list-style-type: none"> <li>• Read and follow operator's manual.</li> <li>• Know location and functions of all controls.</li> <li>• Keep all safety devices and shields in place and working.</li> </ul>	 <ul style="list-style-type: none"> <li>• Keep away from rotating parts.</li> <li>• Use extreme caution when reversing / pulling the machine towards you.</li> </ul>
 <ul style="list-style-type: none"> <li>• Never allow children or uninstructed adults to operate machine.</li> <li>• Keep bystanders away from machine.</li> </ul>	 <ul style="list-style-type: none"> <li>• Shut off engine before manually unclogging tines or making repairs.</li> </ul>

<b>⚠ WARNING</b>	
	<ul style="list-style-type: none"> <li>• Keep away from rotating tines.</li> <li>• Contact will result in injury.</li> </ul>

<b>FORWARD</b>	<b>REVERSE</b>
----------------	----------------

<b>⚠ WARNING</b>	
	<p><b>Read and follow Operating Instructions before running engine.</b></p>
	<p><b>Gasoline is flammable. Allow engine to cool at least 2 minutes before refueling.</b></p>
	<p><b>Engines emit carbon monoxide, DO NOT run in enclosed area.</b></p>

<b>⚠ WARNING</b> 	
<ul style="list-style-type: none"> <li>• Gasoline is flammable. Allow engine to cool at least 2 minutes before refueling.</li> <li>• Operation of this equipment may create sparks that can start fires around dry vegetation. A spark arrestor may be required. The operator should contact local fire agencies for laws or regulations relating to fire prevention requirements.</li> </ul>	

<p><b>TO ENGAGE TRANSPORT MODE</b></p> <ol style="list-style-type: none"> <li>1. Remove pin</li> <li>2. Slide wheel <i>towards</i> frame</li> <li>3. Insert pin through the hole on the wheel axle and rotate ring to secure</li> </ol>	
---	---

<p><b>ENGINE START-UP INSTRUCTIONS</b></p>	<ol style="list-style-type: none"> <li>1. Insert the locking pin to secure the wheels in locked position.</li> <li>2. Turn the Engine Switch to the "ON" position.</li> <li>3. Move the Fuel Valve lever to the "ON" position.</li> <li>4. Move the Choke lever to the "START" position.</li> <li>5. Adjust the Throttle Control to the high speed.</li> <li>6. Pull the Starter Handle until engine starts</li> <li>7. After starting the engine, move the Choke lever to the "RUN" position.</li> </ol>
--	---

# Montaje

• **Conserve todas las instrucciones**



**Si se necesita ayuda o falta alguna pieza,  
LLAMAR GRATUITAMENTE AL: 1-800-737-2112.**

Leer y seguir las instrucciones de montaje. No descartar ninguna pieza o materiales sino hasta que la unidad esté montada. Las referencias al lado derecho o izquierdo de la motocultivadora toman como base el punto de vista desde la posición del operador detrás de la motocultivadora.

## **⚠ ADVERTENCIA**

No operar la motocultivadora si ésta está averiada o no montada completa o correctamente.

## **⚠ ADVERTENCIA**

Antes de efectuar algún montaje o mantenimiento de la unidad, retirar el cable de la bujía.

## **⚠ ADVERTENCIA**

Al montar la motocultivadora, siempre usar gafas de seguridad con resguardos laterales, homologadas por ANSI.

La caja contiene los componentes siguientes.  
Cantidades mostradas en ( ).

1. (1) Motocultivadora
2. (1) Asidero
3. (1) Barra de regulación de profundidad
4. (1) Manual de operación de la motocultivadora
5. (1) Manual del motor
6. (1) Envase de aceite de motor
7. (1) Bolsa de piezas con el contenido siguiente
  - a. (4) Pernos M10 x 25 mm con cabeza de reborde, arandelas de seguridad y tuercas
  - b. (4) Pernos curvos M8 x 50 mm y arandelas para montaje del asidero superior
  - c. (4) Perillas del asidero para montaje del asidero superior
  - d. (2) Pasadores de seguridad de las ruedas
  - e. (1) Pasador
8. (2) Ensamblajes de ruedas y neumáticos
9. (1) Protector delantero

## **A** **Cómo sacar la motocultivadora de la caja**

1. Sacar todas las piezas y componentes del embalaje.
2. Utilizar una cuchilla multiuso para cortar las cuatro esquinas verticales y colocar los costados de la caja sobre el piso, alrededor de la motocultivadora.
3. Sacar el resto del embalaje.

## **B** **Instrucciones de montaje**

Excepto por unas cuantas piezas, la motocultivadora viene completamente montada. Las instrucciones siguientes ayudan a completar el montaje de la motocultivadora.

### **Instalar las Ruedas** (véase la figura 2)

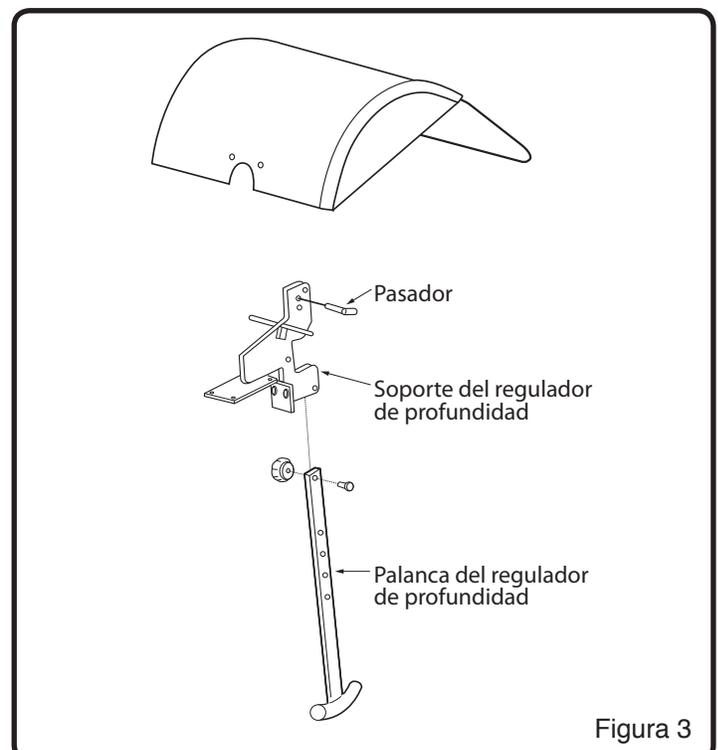
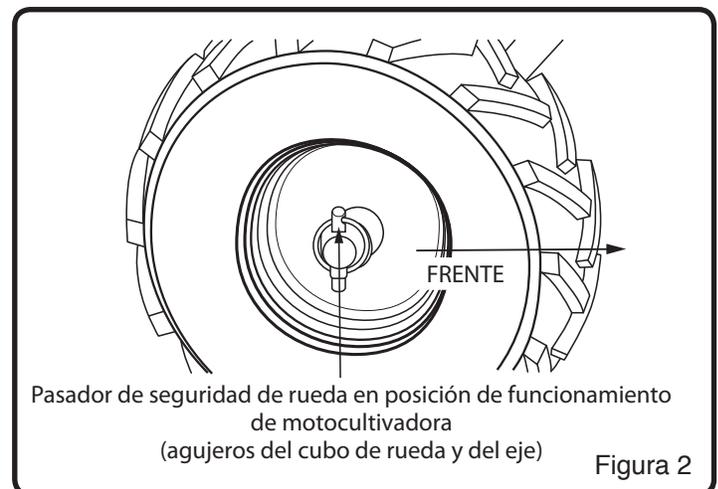
1. Asegurar la arandela de copa se instala sobre el eje de la rueda

2. Las ruedas de la motocultivadora son direccionales. Para un rendimiento óptimo, instalar las ruedas con la banda de rodamiento orientada en la dirección mostrada.
3. Deslizar el cubo de la rueda sobre el eje de las ruedas.
4. Alinear el agujero del cubo de la rueda con el agujero en el eje e insertar el pasador de seguridad.
5. Girar el aro del pasador de seguridad para asegurar el pasador en posición.

### **Instalar el Regulador de Profundidad**

(véase la figura 3)

1. Insertar el regulador de profundidad en la parte inferior del soporte del regulador de profundidad.
2. Insertar el pasador a través del soporte y la palanca.



# Montaje (Continuación)

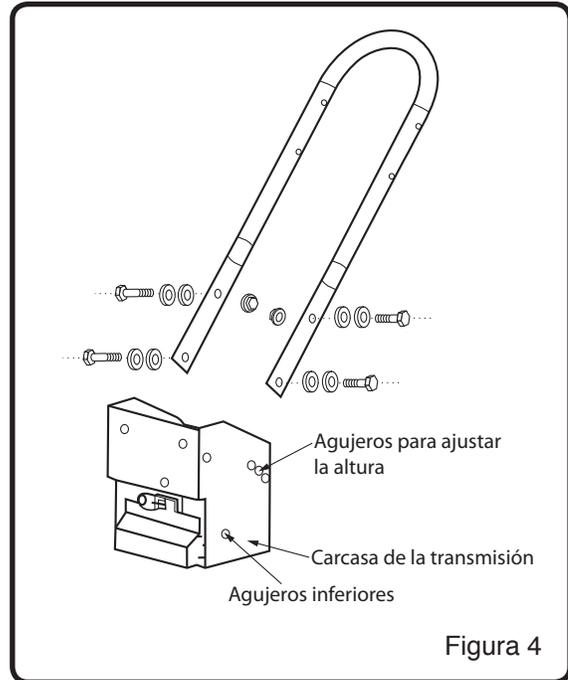
• *Conserve todas las instrucciones*



Si se necesita ayuda o falta alguna pieza, LLAMAR GRATUITAMENTE AL: 1-800-737-2112.

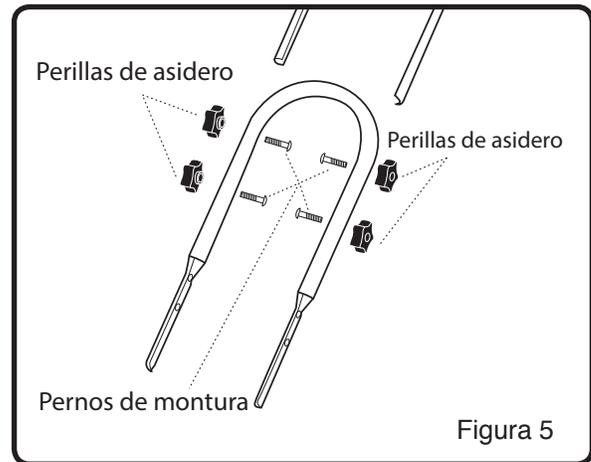
## Instalar el Asidero Inferior (véase la figura 4)

1. Aflojar los pernos del asidero inferior.
2. Alinear los agujeros del asidero inferior con los agujeros medios de ajuste de la altura en la carcasa de la transmisión e instalar los pernos de cabeza con reborde M10 x 25 mm, las arandelas de seguridad y las tuercas. Apretar los cuatro pernos en este paso.



## Instalar el Asidero Superior (véase la figura 5)

1. Deslizar el asidero superior sobre el asidero inferior y alinear los agujeros.
2. Insertar los pernos curvos en los agujeros como se muestra y asegurarlos con las perillas del asidero.
3. Apretar las perillas ajustadamente.
4. Cables de control seguros para manejar el uso de bridas.



## Instalación Del Protector Delantero (véase la figura 6)

1. Instale el protector delantero, utilizando cuatro pernos con cabeza hexagonal M8 x 20 mm, arandelas hendidas de freno, arandelas planas y tuercas.

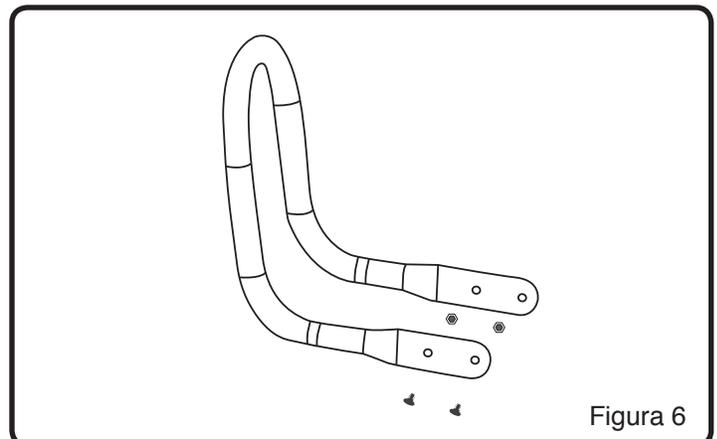


Figura 6

# Preparación del motor

• Conserve todas las instrucciones

## A Aceite para motor

### AVISO

El motor se envía sin aceite. El no agregar aceite causará daños severos al motor.

Se incluye un envase de aceite de motor con la motocultivadora. Consultar el gráfico a la derecha para obtener información sobre tipos alternativos de aceite a usarse a diferentes temperaturas. Siempre usar un aceite detergente de alta calidad clasificado «Para servicio, SG, SH, SJ» o superior. No usar aditivos especiales.

### AVISO

Siempre usar el tipo de aceite recomendado. El uso de aceite sucio o tipo de aceite incorrecto, tal como aceite para motores de dos tiempos, acortará la vida útil del motor.

**NOTA:** La capacidad de aceite del motor es 550mL (19 oz.).

## Cómo Revisar el Nivel de Aceite y Llenar al Nivel Apropiado

### ⚠ ADVERTENCIA

Antes de revisar el aceite, asegurarse que el motor esté apagado y que se ha desconectado de la bujía el cable de la misma.

1. Colocar la motocultivadora en una superficie a nivel y asegurarse que la barra de arrastre de profundidad esté en una posición tal que el bastidor principal de la motocultivadora esté a nivel. (Véase la figura 6)
2. Retirar la tapa de llenado / varilla medidora del nivel de aceite y enjuagarla con un paño. (Véase la figura 6)
3. Insertar la varilla medidora del nivel de aceite en la boquilla de llenado pero NO enroscarla. Retirla y revisar el nivel del aceite.
4. Al alcanzarse el nivel lleno de aceite, el aceite llegará al límite superior de la varilla medidora. Si el nivel de aceite está cerca del límite inferior o por debajo del mismo, se ha de agregar aceite. (Véase la figura 7)
5. Agregar aceite lentamente hasta que el nivel del aceite llegue al límite superior de la varilla medidora. Utilizar un embudo o boquilla para evitar derrames.

### AVISO

Revisar el nivel del aceite con frecuencia durante el llenado. NO SOBRELLENAR. NO SUBLLENAR. Hacer marchar el motor con un nivel inadecuado de aceite causará daños severos al motor.

6. Colocar la varilla medidora nuevamente en posición y apretarla.
7. Limpiar todo aceite derramado.

**NOTA:** La transmisión viene de fábrica con la cantidad y tipo correctos de aceite para transmisión.

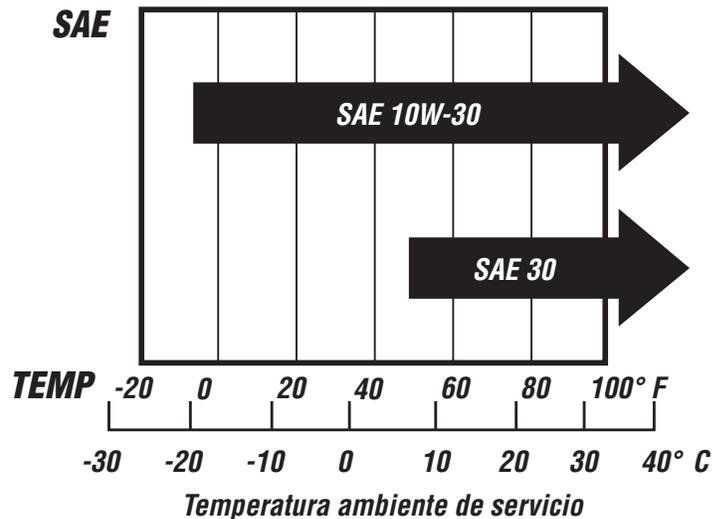


Figura 6

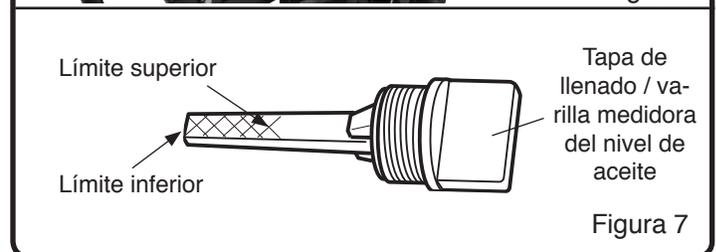


Figura 7

# Operación

• Conserve todas las instrucciones

## A Inspección prearranque

1. Asegurarse que todas las protecciones de seguridad estén en posición y que todas las tuercas y pernos estén seguros.
  - a. Verificar antes de cada uso que la presión de aire en ambos neumáticos esté entre 25 y 30 psi.
2. Verificar el nivel del aceite en el cárter del cigüeñal. Consultar el procedimiento y las especificaciones en el manual del motor.
3. Inspeccionar el estado del filtro de aire. Consultar el procedimiento en el manual del motor.
4. Revisar el nivel de combustible. Usar gasolina sin plomo, limpia y de reciente producción, con octanaje de 87 o más. No usar gasolina con más del 10% de etanol. Lo mejor es usar combustible sin etanol. Recomendamos el uso continuo de aditivo/estabilizador de combustible para contrarrestar los efectos del etanol. Estos aditivos prolongan también la vida útil de la gasolina almacenada. Llenar el tanque de combustible, como máximo, hasta 2.5 cm de la parte superior del tanque para dejar espacio para expansión. Consultar las recomendaciones sobre combustible en el manual del motor.
5. Verificar que el cable de la bujía esté conectado a ésta y que la bujía esté apretada de manera segura.
6. Revisar la posición de las ruedas y de los seguros de las ruedas.
7. Revisar la posición de la barra de arrastre de profundidad.
8. Examinar debajo y alrededor del motor para determinar si hay fugas de aceite o combustible.
9. Inspeccionar las mangueras de combustible para determinar si están apretadas correctamente y si hay fugas de combustible.
10. Buscar señales de daños en el motor.
11. Retirar residuos excesivos del área del silenciador y del arrancador de retroceso.

**IMPORTANTE: El motor se envía de fábrica sin aceite. Se ha de agregar aceite antes de arrancarse el motor.**

### ⚠ CUIDADO

No arrancar la motocultivadora sino hasta haberse leído el manual enviado con la motocultivadora, y las secciones controles, ajustes y seguridad de la motocultivadora en este manual. Si ya se han leído dichas secciones, seguir los pasos a continuación para arrancar la motocultivadora. Siempre revisar esta lista de verificación antes de arrancar el motor.

### ⚠ ADVERTENCIA

La gasolina es sumamente inflamable y se la ha de manipular con cuidado. Jamás llenar el tanque cuando el motor esté caliente o en marcha. Siempre llenar el tanque en espacios exteriores.

Es preciso que las ruedas estén siempre aseguradas en la posición de labranza cuando el motor esté en marcha. No operar la motocultivadora con los seguros de las ruedas no instalados. Siempre fijar las ruedas en la posición de labranza antes de arrancar el motor.

Siempre colocar la barra de arrastre de profundidad en la posición para transporte antes de arrancarse el motor. Las azadas no deben estar en contacto con el terreno.

### ⚠ PELIGRO

Siempre mantener las manos y los pies fuera del alcance de piezas rotativas de la máquina.

## B Arranque

Los controles necesarios para arrancar y operar la motocultivadora están ubicados en el motor y están marcados con el ícono para el estrangulador, lento y rápido para el regulador, y la válvula de alimentación/corte de combustible. En el manual del fabricante del motor, enviado con cada motocultivadora, se pueden encontrar una descripción detallada del funcionamiento del motor y todas las precauciones y procedimientos pertinentes.

### Arranques en Frío

1. Colocar el interruptor del motor en la posición de encendido («ON»).
2. Mover la palanca de la válvula de combustible hacia la derecha hasta la posición on.
3. Mover la palanca de la válvula estranguladora hacia la izquierda hasta la posición «start» (arrancar).
4. Mover la barra de arrastre a la posición «Start» («Arranque») o «Fast» («Rápido»).
5. Tirar del cordón de arranque lentamente una vez; dejar

**Llame sin costo al: 1-800-737-2112**

que retroceda normalmente.

6. Tirar del cordón de arranque rápidamente y dejar que éste retroceda normalmente.
7. Al arrancar el motor, mover gradualmente la palanca de la válvula estranguladora a la posición «Run» (funcionar) e incrementar la velocidad del acelerador.

### Rearranque de un Motor en Caliente

El rearranque de un motor que ya está caliente por el funcionamiento previo normalmente no necesita el uso del estrangulador.

1. Mover la barra de arrastre a la posición «Start» («Arranque») o «Fast» («Rápido»).
2. Tirar del cordón de arranque rápidamente hasta que el motor arranque. Dejar que el cordón retroceda normalmente. Repetir hasta que el motor arranque.
3. Ajustar la velocidad del regulador a «fast» («rápida») para un rendimiento óptimo de la motocultivadora.

# Operación (Continuación)

• Conserve todas las instrucciones

## Régimen de Marcha en Vacío

Utilizar la posición «slow» («lento») de la barra de arrastre para reducir el esfuerzo sobre el motor cuando no se esté labrando. Reducir la velocidad del motor a «idle» («marcha en vacío») ayuda a prolongar la vida útil del motor, así como también a conservar combustible y reducir el nivel de ruido del equipo.

## Velocidad de operación

Para labrado normal, colocar la barra de arrastre en «fast» («rápida»).

## Apagado

Para parar el motor en cualquier momento, colocar el interruptor de ENCENDIDO/APAGADO (ON/OFF) del motor a la posición de apagado (off). Para detener las ruedas y las azadas en cualquier momento, soltar las palancas de control motriz seguro a la posición neutra.

## Labranza

1. Ajustar la barra de arrastre de profundidad a la profundidad de labranza deseada.

## ⚠ ADVERTENCIA

Elevar la barra de regulación de profundidad de profundidad un agujero a la vez y probar el funcionamiento de la motocultivadora después de cada elevación. ¡La elevación excesiva del regulador de profundidad puede dar lugar a la pérdida de control de la motocultivadora!

2. Mover el control del regulador a «fast» («rápida»).
3. Empujar la palanca de control motriz seguro («FORWARD» [«AVANCE»]) hacia abajo para colocar la motocultivadora en «forward» («avance»); esto engranará las ruedas y las azadas.

**NOTA:** Se puede reducir la velocidad de marcha de avance de la motocultivadora en cualquier momento mediante presión leve descendente sobre las barras del asidero. Se puede parar la motocultivadora al soltar las palancas de control motriz seguro a la posición neutra.

## AVISO

Siempre oprimir las palancas de marcha de avance o retroceso completamente contra los asideros de las barras del asidero. No hacerlo podría causar desgaste excesivo de la correa de impulsión y fallo prematuro de la correa de impulsión.

## ⚠ ADVERTENCIA

La temperatura del silenciador y áreas cercanas podría rebasar 65.6 °C (150 °F). Evitar estas áreas. No mover el control del estrangulador para estrangular el motor para pararlo; podría ocurrir petardeo o sufrir daños el motor.

Para detener las ruedas y las azadas en cualquier momento, soltar las palancas de control motriz seguro a la posición neutra.

Siempre soltar las palancas de control motriz seguro a la posición neutra Y PARAR EL MOTOR antes de ajustar la profundidad de la barra de arrastre.

## ⚠ PELIGRO

El motor y las piezas circundantes se vuelven sumamente calientes durante el uso normal y causan lesiones graves por quemadura si se tocan antes de haber enfriado el motor. Dejar que el motor enfríe completamente antes de tocar estas superficies calientes.

**IMPORTANTE:** Practicar la operación de los controles y las azadas con las azadas sin contacto con el terreno antes de comenzar la labranza. Es importante saber cómo usar la motocultivadora correctamente, mantener el control de la misma en todo momento, parar la rotación de las azadas y ruedas, y parar el motor si fuera necesario. Si no se sabe cómo hacer éstas, léanse las secciones sobre controles, ajustes y seguridad antes de proceder.



## Operación (Continuación)

• Conserve todas las instrucciones

### **G** Palancas de control motriz seguro

#### **⚠ CUIDADO**

No accionar las palancas de control motriz seguro «FORWARD» («AVANCE») y «REVERSE» («RETROCESO») al mismo tiempo.

Esta información se proporciona aquí solo para introducir los controles. No arrancar el motor todavía. Las instrucciones de arranque y operación aparecen en la página 63. Léase esta sección y todas las instrucciones sobre operación y seguridad antes de arrancar la motocultivadora.

• Como precaución de seguridad, las palancas de control motriz seguro no se enganchan ni en la posición de avance ni en la de retroceso.

#### **⚠ ADVERTENCIA**

No fijar las palancas de marcha de avance o retroceso en la posición de impulsión por ningún otro medio que la mano derecha de operador. No atar ni asegurar de ninguna otra manera las palancas en la posición de impulsión.

• Para detener las ruedas y las azadas en cualquier momento, soltar las palancas de control motriz seguro.

**Palanca de Avance** (véase la figura 9)

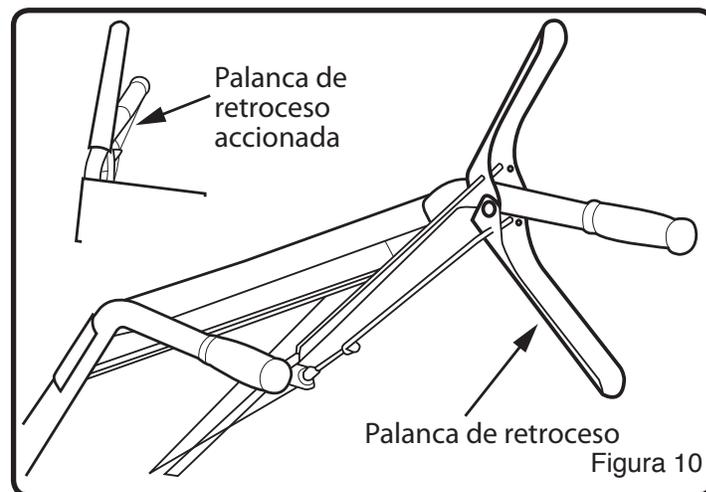
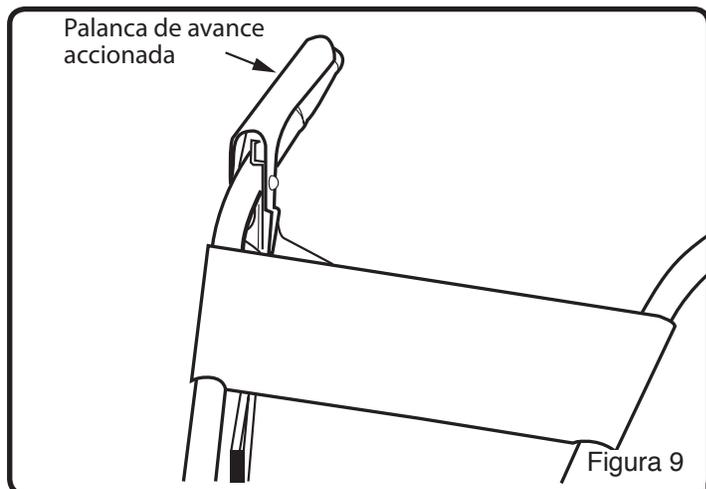
**Engrana las ruedas y azadas en marcha de avance.**

Empujar hacia abajo la palanca de control motriz seguro (AVANCE) hacia la barra del asidero engrana las ruedas y las azadas. Soltar la palanca para las ruedas y las azadas produce el paro completo de la motocultivadora.

**Palanca de Retroceso** (véase la figura 10)

**Engrana las ruedas y las azadas en marcha de retroceso.**

El tirar de la palanca de control motriz seguro (RETROCESO) hacia la barra del asidero invierte la marcha de la motocultivadora. Soltar la palanca detiene las ruedas y las azadas.



# Operación (Continuación)

• Conserve todas las instrucciones

## H Ajustes

### ⚠ ADVERTENCIA

El motor debe estar apagado antes de ajustarse cualquier control.

Se debe tener sumo cuidado al operarse la motocultivadora en retroceso.

### **Pasadores de Seguridad de las Ruedas**

(véase las figuras 2 y 11)

#### **Colocar las ruedas en la posición de labranza.**

1. Retirar el pasador de seguridad. Alinear el agujero en el eje con el agujero en el cubo de la rueda.
2. Insertar el pasador de seguridad a través de los agujeros, girar el aro del pasador de seguridad para asegurar el pasador al eje.
3. Asegurar firmemente la rueda y el eje entre sí antes de labrar.
4. Repetir para la otra rueda.

### ⚠ ADVERTENCIA

Siempre tener ambos pasadores de seguridad para ruedas dentro o fuera. No operar la motocultivadora con solo una rueda asegurada.

#### **Para colocar las ruedas en la posición de rueda libre:**

1. Retirar el pasador de seguridad. Deslizar la rueda hacia la máquina.
2. Insertar el pasador sólo en el eje, girar el aro del pasador de seguridad sobre el eje.
3. La rueda debe girar libremente sobre el eje.

### **Ajuste de la Altura de la Barra del Asidero**

(véase la figura 4)

#### **Ajuste de la altura de la barra del asidero.**

La altura ideal de la barra del asidero varía con la altura del operador y la profundidad de labranza. Para ajustar la altura de la barra del asidero:

1. Desenroscar las tuercas y retirar los pernos superiores a cada lado.
2. Aflojar los pernos inferiores. No retirarlos.
3. Alinear la barra del asidero a los agujeros deseados en el soporte de la barra del asidero inferior.
4. Instalar los pernos y las tuercas. Apretar de nuevo y ajustadamente los cuatro pernos.

### **Barra de Regulación de Profundidad**

(véase la figura 3)

**La profundidad de labranza está controlada por la altura de la barra de regulación de profundidad. Para ajustar la profundidad de labranza:**

1. Retirar el pasador.
2. Elevar la barra de regulación de profundidad para colocar las azadas a la profundidad de labranza escogida.

3. Alinear el agujero en la barra de regulación de profundidad de la profundidad con el agujero en el soporte de la barra de arrastre y reinstalar el pasador.

**Barra de regulación de profundidad abajo** = labranza menos profunda.

Colocar el pasador en el agujero superior de la barra de regulación de profundidad para la labranza menos profunda posible.

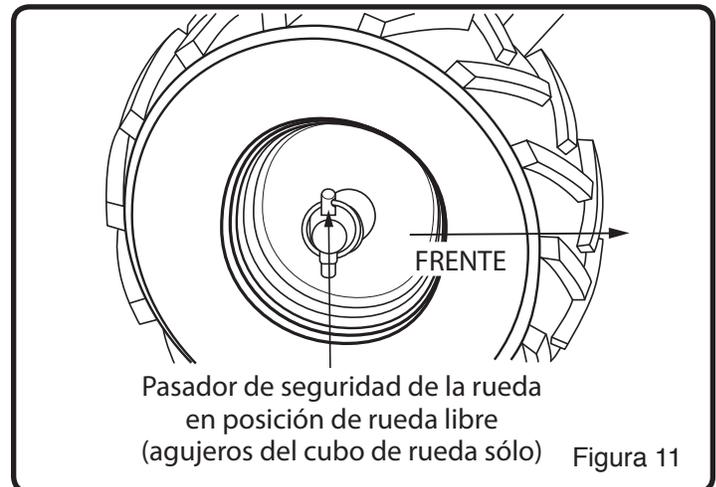
**Barra de regulación de profundidad arriba** = labranza más profunda.

Colocar el pasador en el agujero inferior de la barra de regulación de profundidad para la labranza más profunda posible.

### ⚠ ADVERTENCIA

No ajustar la profundidad de labranza a menos que las palancas de control motriz seguro se suelten a la posición neutra.

Siempre configurar la barra de arrastre en la posición de transporte antes de arrancar el motor; es decir, colocar el pasador de detención en el agujero más alto de la barra de arrastre.



# Operación (Continuación)

• **Conserve todas las instrucciones**

## **I** Consejos de labranza

La clave para una labranza exitosa es comenzar con un corte poco profundo en la primera pasada, y luego, aumentar de dos y medio a cinco centímetros (una a dos pulgadas) en cada pasada sucesiva.

- La profundidad de labranza varía según las condiciones del terreno.
- Al comenzar a labrarse en terreno no trabajado previamente o en un suelo sumamente duro, colocar el pasador en el agujero más alto de la barra de regulación de profundidad (seguir las instrucciones bajo la sección Labranza). Esto permitirá una labranza poco profunda. Con la barra de regulación de profundidad en esta posición, efectuar varias pasadas livianas sobre el área a labrarse. Cambiar la configuración para mayores profundidades en pasadas sucesivas.
- Si la motocultivadora salta o patina incontrolablemente, bajar la barra de regulación de profundidad mediante la colocación del pasador en un agujero más alto. Esto dará lugar a una labranza menos profunda. Sujetar las barras del asidero firmemente para controlar sacudidas repentinas.
- Si maleza, pasto alto, enredaderas u otros materiales obstruyen o atascan las azadas, invertir la marcha de la motocultivadora para desenrollar la vegetación.

## **⚠** ADVERTENCIA

Inmediatamente soltar las palancas de control motriz seguro si las azadas se atascan o si se golpea algún objeto extraño. Con las palancas de control motriz en la posición neutra, parar el motor. Desconectar el cable de la bujía. Cuando las azadas hayan parado, retirar los objetos extraños y determinar si hay daños.

## **⚠** ADVERTENCIA

Se ha de tener sumo cuidado al seleccionarse la profundidad de labranza. Si se intenta labrar a demasiada profundidad para las condiciones del suelo, es decir, con la barra de arrastre de profundidad en una posición demasiado alta, podría haber pérdida del control.

Si se retira material de las azadas manualmente, parar el motor y retirar el cable de la bujía primero.

## **J** Consejos de cultivo

Si se planea usar la motocultivadora para cultivar:

- Plantar filas con distancia de 51 a 56 cm (20 a 22") de centro a centro para virar con facilidad.
- Colocar la palanca del regulador de profundidad con el pasador de detención en uno de los agujeros más altos. Esto permitirá el cultivo poco profundo necesario para virar sobre maleza y desmenuzar y airear el suelo.

# Mantenimiento

• *Conserve todas las instrucciones*

## **A** Programa de mantenimiento

### **⚠ ADVERTENCIA**

Antes de cualquier tarea de mantenimiento, apagar el motor y retirar de la bujía el cable de ésta para evitar un arranque accidental y lesiones graves.

**IMPORTANTE:** La garantía de esta motocultivadora no cubre elementos que se han visto sujetos a uso indebido o negligencia del operador. Para recibir el valor completo de la garantía, el operador ha de mantener la motocultivadora como se indica en este manual y únicamente ha de usar piezas de repuesto genuinas. En la tabla siguiente se detallan las actividades del mantenimiento periódico necesario.

### **TABLA DE PROGRAMA DE MANTENIMIENTO PERIÓDICO**

<b>Registros de servicio- Anotar las fechas a medida que se lleve a cabo el servicio normal</b>	<b>Antes de cada uso</b>	<b>Después de cada 10 horas de uso</b>	<b>Después de cada 25 horas de uso</b>	<b>Después de cada 50 horas de uso</b>	<b>Después de cada 100 horas de uso</b>	<b>Antes de cada tem- porada</b>	<b>Antes del almace- namiento</b>	<b>Véase nota abajo</b>
Comprobar la presión de aire en los neumáticos.	✓							
Revisar el nivel del aceite de motor, llenar al nivel apropiado	✓					✓		
Limpiar residuos de la unidad	✓					✓	✓	
Lubricar todos los puntos de giro		✓				✓	✓	
Revisar el apriete de los sujetadores		✓				✓		<b>1</b>
Revisar las correas de impulsión Reemplazarlas si fuera necesario		✓				✓		
Revisar si hay desgaste o daños en las azadas Reemplazarlas si fuera necesario		✓				✓		
Revisar la tubería del combustible Reemplazarlas si fuera necesario			✓			✓		
Lubricar los ejes de las ruedas			✓			✓	✓	
Revisar la bujía Reemplazarlas si fuera necesario			✓			✓		
Cambiar el aceite del motor				✓		✓	✓	<b>2,3</b>
Limpiar el filtro de aire Reemplazarlas si fuera necesario			✓			✓		<b>4</b>
Reemplazar la bujía					✓			
Limpiar los depósitos de combustión del cilindro, pistón y válvulas					✓			
Revisar el aceite de la transmisión			✓			✓		

### **⚠ CUIDADO** **IMPORTANTES** sobre el programa de mantenimiento

1. Revisar nuevamente el apriete de todos los sujetadores después de las primeras 2 horas de uso inicial
2. Cambiar el aceite del motor después de las primeras 5 a 8 horas de uso inicial
3. Cambiar el aceite del motor cada 25 horas si se está operando bajo servicio pesado o en altas temperaturas
4. Limpiar el filtro de aire cada 10 horas si se está operando bajo condiciones pulverígenas.

### **⚠ ADVERTENCIA**

Utilizar sólo piezas de repuesto GENUINAS. Otras piezas podrían dañar la unidad o causar lesiones.

# Mantenimiento (Continuación)

• **Conserve todas las instrucciones**

## **B** Mantenimiento menor de la motocultivadora

La información siguiente ayudará a efectuar las revisiones necesarias y llevar a cabo los procedimientos requeridos para seguir las recomendaciones del cuidado normal provistas para la motocultivadora. Si se prefiere, el concesionario local autorizado puede efectuar estas revisiones y llevar a cabo los procedimientos requeridos.

### **⚠ ADVERTENCIA**

Para evitar un arranque accidental:  
El motor ha de estar apagado y frío; el cable de la bujía ha de estar desconectado y separado de manera segura de la bujía antes de revisarse y ajustarse el motor o el equipo.

### **Cambio de Correas de Avance/Retroceso**

(Véanse las figuras 12 y 13)

1. Apagar el motor. El motor ha de estar completamente frío antes de proceder.
2. Retirar el cable de la bujía y separarlo de manera segura de la bujía.
3. Aflojar la tuerca de inmovilización inferior del cable de marcha de avance y del de retroceso para reducir la tensión de la correa.
4. Retirar los resguardos superior e inferior de la correa.
5. Para retirar la correa motriz de retroceso:
  - a. Retirar la polea guía de la correa de retroceso.
  - b. Deslizar la correa para librarla de las guías de la correa de retroceso y de la polea del motor.
  - c. Tirar de la correa hacia abajo y alejarla de la polea de transmisión.
6. Para retirar la correa motriz de avance:
  - a. Retirar los dos prisioneros guía de la correa de avance y el conjunto de la polea guía de la correa de avance.
  - b. Deslizar la correa para librarla de la polea del motor.
  - c. Tirar de la correa hacia abajo y alejarla de la polea de transmisión.
7. Para instalar la correa motriz de avance:
  - a. Insertar la correa por debajo de la unidad y sobre la porción posterior de la polea del motor.
  - b. Colocar el bucle inferior de la correa alrededor de la porción trasera de la polea de transmisión.
  - c. Instalar nuevamente los dos prisioneros guía de la correa de avance y el conjunto de la polea guía de la correa de avance.
8. Para instalar la correa motriz de retroceso:
  - a. Insertar la correa por debajo de la unidad y sobre la polea guía de la correa de retroceso.
  - b. Colocar el bucle inferior de la correa alrededor de la porción delantera de la polea de transmisión.
  - c. Reinstalar la polea guía de la correa de retroceso en el soporte de la polea guía de la correa de retroceso. La correa no debe pasar sobre la polea del motor. Asegurarse de que la correa esté dentro de los prisioneros guía de la correa de

retroceso.

9. Apretar la tuerca de inmovilización inferior de la marcha de avance y del retroceso.
10. Revisar la tensión de la correa. Con las palancas motrices desengranadas, las correas deben estar holgadas.
11. Reinstalar los resguardos superior e inferior de la correa.
12. Reinstalar el cable de la bujía a la bujía.
13. Seguir las instrucciones de operación: arrancar el motor y accionar la palanca motriz de avance para asegurarse de que el ajuste del cable y la tensión de la correa sean apropiados. Consúltese la sección Ajuste de la tensión si fuera necesario ajustar el cable.
14. Arrancar el motor y accionar la palanca motriz de retroceso para asegurarse de que el ajuste del cable y la tensión de la correa sean apropiados. Consúltese la sección Ajuste de la tensión de las correas si fuera necesario ajustar el cable.

### **⚠ ADVERTENCIA**

Ni las azadas ni las ruedas deben girar con el motor en marcha, el regulador de profundidad fijado a la altura de transporte (altura más baja) y la palanca motriz no engranada.

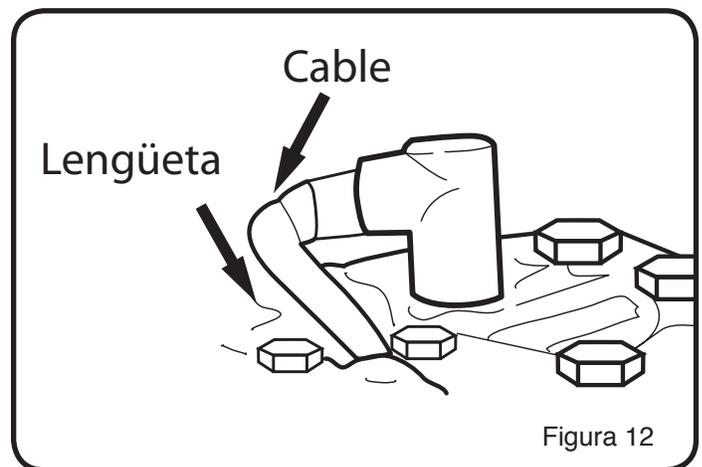


Figura 12

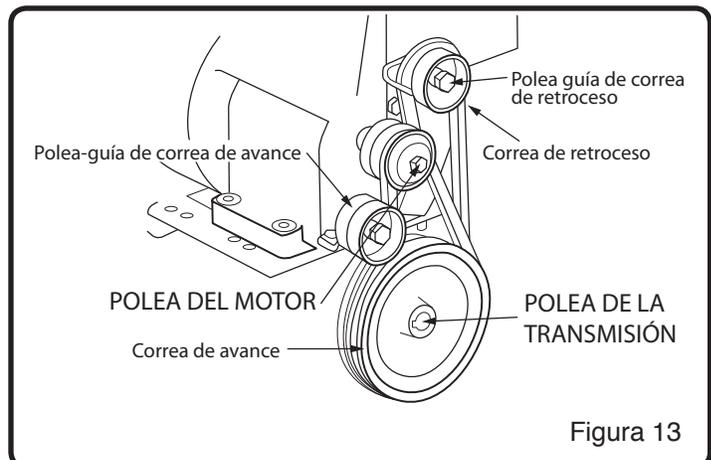


Figura 13

# Mantenimiento (Continuación)

• Conserve todas las instrucciones

## **C** Mantenimiento del motor

### **Mantenimiento del Motor**

Consultar el manual del motor incluido en el paquete de piezas para obtener información sobre mantenimiento del motor. El manual del motor brinda información detallada y un programa de mantenimiento para realizar las tareas siguientes:

1. Revisar el nivel del aceite antes de cada uso o después de cada 8 horas de operación.
2. Cambiar el aceite después de las primeras 5 a 8 horas de operación. Cambiar el aceite mientras el motor está caliente. Llenar nuevamente con aceite nuevo del grado recomendado.
3. Revisar la bujía anualmente o cada 100 horas de operación.
4. Revisar el filtro de aire y limpiarlo o reemplazarlo según sea necesario.
5. Mantener el motor y las piezas limpias.
6. Revisar el motor y el equipo a menudo para determinar si hay tuercas y pernos flojos; mantener estos componentes apretados.

### **Revisar o Llenar el Cárter del Cigüeñal**

**IMPORTANTE: El motor se envía de fábrica sin aceite. Se ha de agregar aceite antes de arrancarse el motor.**

1. Agregar aceite conforme al manual del motor. No sobrellenar. Utilizar un aceite detergente limpio y de alta calidad. No mezclar aceite con gasolina. El nivel de aceite ha de ser lleno. Retirar el tapón del aceite para revisar el nivel del aceite.
2. Siempre revisar el nivel del aceite antes de arrancar el motor. Para obtener información sobre capacidad y tipo de aceite a usarse, consultar el manual del motor.

### **Revisar el Aceite de la Transmisión de la Motocultivadora**

**IMPORTANTE: La transmisión de la motocultivadora se envía de fábrica con la cantidad correcta de aceite. Al cambiarse el aceite, la transmisión de la motocultivadora acepta de 27 a 30 onzas fluidas. No sobrellenarla.**

Revisar el nivel del aceite anualmente. Para revisar el nivel del aceite:

1. Mover la motocultivadora a una superficie a nivel.
2. Retirar la varilla medidora del nivel de aceite ubicada entre los soportes de montaje de las barras del asidero en el soporte del motor. Si el nivel de aceite está cerca o por debajo del límite inferior, llenar el aceite hasta el nivel recomendado.
3. Reinstalar la varilla medidora del nivel de aceite en el agujero de llenado.
4. Nótese que la transmisión de las ruedas y la transmisión del tren de azadas posterior tienen un contenedor común.

Cuando se agrega aceite a la transmisión frontal, se ha de esperar un período corto de tiempo para que el aceite fluya hacia atrás y se distribuya por igual al frente y atrás. En un terreno a nivel, la varilla medidora dará la lectura correcta para ambas unidades de engranajes.

### **Revisar la Presión de las Llantas**

La presión recomendada de las llantas es 1.7-2.1 bar (25-30 psi). Si las llantas tienen presión desigual, la motocultivadora tirará hacia un lado. Una presión neumática baja puede dañar el tubo del neumático.

### **Lubricación**

La lubricación correcta de piezas mecánicas móviles es crítica para el cuidado y mantenimiento adecuados. Aceitar las piezas móviles mostradas a intervalos de 10 horas con aceite 30W.

### **Limpiar la Flecha del Eje de Azadas**

1. Apagar el motor. El motor ha de estar frío.
2. Retirar el cable de la bujía y separarlo de manera segura de la bujía.
3. Inclinar la motocultivadora hacia el frente. Bloquear la motocultivadora en posición de modo que descansa sobre el soporte del motor y las azadas estén expuestas.
4. Retirar toda vegetación, hebras, alambre y otro material que pudiera haberse acumulado en el eje entre el juego interior de azadas y la cubierta de sello en la carcasa de la transmisión.
5. Volver la motocultivadora a la posición a nivel.
6. Reconectar el cable de la bujía.

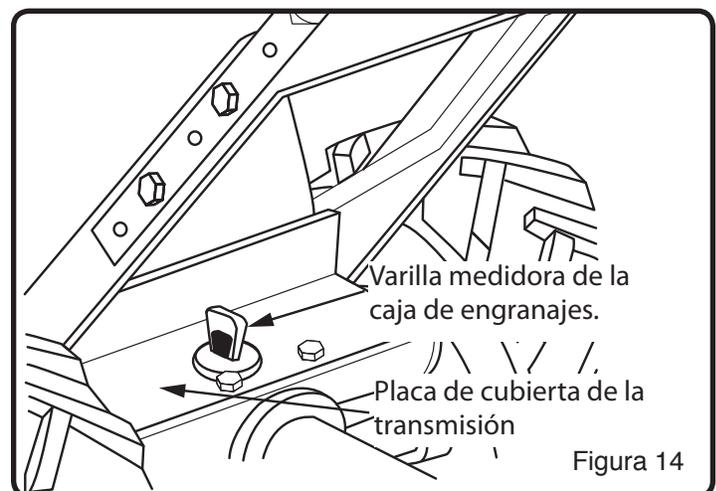


Figura 14

# Mantenimiento *(Continuación)*

• **Conserve todas las instrucciones**

## **D** **Cómo preparar la motocultivadora para almacenamiento**

### **⚠ ADVERTENCIA**

Jamás almacenar la motocultivadora en espacios interiores con combustible en el tanque. Jamás almacenarla en un área encerrada, con ventilación deficiente donde los vapores podrían llegar a una llama abierta, una chispa o una luz piloto como la de un horno, calentador de agua o secadora de ropa. Dejar que el motor enfríe antes de almacenarse la unidad.

### **⚠ ADVERTENCIA**

No retirar la gasolina dentro de un edificio, cerca de un fuego o mientras se fuma. Los vapores de gasolina pueden causar una explosión o un incendio.

**NOTA:** Una revisión o afinado anual en un centro de servicio autorizado asegurará que la motocultivadora rinda al máximo en la temporada siguiente.

Cuando la motocultivadora se almacena durante treinta días o más, se deben seguir los pasos siguientes para asegurarse que la motocultivadora esté en buenas condiciones para la próxima temporada. Para prevenir la corrosión y los depósitos de carburante en el sistema de alimentación de combustible y el carburador de la unidad, se recomienda enfáticamente usar un aditivo/estabilizador formulado para combustibles con etanol. Seguir siempre las instrucciones del fabricante del estabilizador. Dejar que el motor funcione por al menos 5 minutos antes de agregar el estabilizador.

1. Dejar que el motor marche hasta acabarse la gasolina.
  - a. Retirar el tornillo de la cubeta del carburador y drenar combustible. Inclinar ligeramente la unidad para sacar todo el combustible. Volver a poner el tornillo.

2. Cambiar el aceite según las instrucciones bajo «Cómo cambiar el aceite».
3. Retirar la bujía del cilindro. Verter una onza de aceite en el cilindro. Lentamente, tirar de la empuñadura del arrancador de retroceso para que el aceite proteja el cilindro. Instalar una bujía nueva en el cilindro. Tirar de la empuñadura del arrancador lentamente unas cuantas veces para distribuir el aceite. Tirar del arrancador de retroceso hasta sentirse resistencia. Esto cierra las válvulas del cilindro.

### **⚠ ADVERTENCIA**

NO conectar el cable de la bujía a ésta al almacenarse la unidad.

4. Limpiar la motocultivadora. Retirar toda mugre, hojas, residuos, grasa, etc. de la motocultivadora, incluidos los ventiladores de enfriamiento del cilindro, los agujeros de la cubierta del arrancador de retroceso, debajo del tanque de combustible y debajo del silenciador.
5. Revisar la motocultivadora para determinar si hay piezas gastadas o dañadas. Hacer que se reemplacen las piezas dañadas si fuera necesario.
6. Apretar todo herraje flojo.
7. Aplicar lubricación según lo indique la sección Mantenimiento.
8. Colocar la unidad en un edificio que tenga buena ventilación.
9. Cubrir la motocultivadora con un material con ventilación.

## **Servicio técnico**

Es posible que se tengan más preguntas sobre montaje, operación o mantenimiento de esta MOTOCULTIVADORA. En dicho caso, se puede contactar a nuestro Departamento de Servicio Técnico al 1-800-737-2112 (solo inglés). También se puede escribir a:

**Oficina Corporativa METL; SOLO CORRESPONDENCIA**  
**ATTN: Technical Service – METL**  
**6700 Wildlife Way**  
**Long Grove, IL 60047**

**Al contactarse al Departamento de Servicio Técnico, tener listos:**

- Nombre
- Dirección
- Número de teléfono



**Si necesita ayuda o tiene una duda,  
LLAME SIN COSTO AL: 1-800-737-2112.**

- Número de modelo del producto
- Fecha de compra (incluida una copia del recibo para solicitudes por escrito)
- Código de fecha sobre producto

# Diagnóstico y resolución de problemas

• Conserve todas las instrucciones

<b>PROBLEMA</b>	<b>CAUSA/S POSIBLE/S</b>	<b>SOLUCIÓN / SOLUCIONES</b>
Dificultad para arrancar el motor	<ol style="list-style-type: none"> <li>1. Sin combustible</li> <li>2. Interruptor del motor apagado</li> <li>3. Motor no está cebado.</li> <li>4. Cable de bujía desconectado</li> <li>5. Bujía hollinada</li> <li>6. Carburador sucio</li> <li>7. Filtro de aire obstruido</li> <li>8. Combustible contaminado</li> </ol>	<ol style="list-style-type: none"> <li>1. Agregar combustible fresco</li> <li>2. Colocar el interruptor del motor en la posición de encendido</li> <li>3. Activar el estrangulador</li> <li>4. Conectar el cable de la bujía a la bujía</li> <li>5. Retirar la bujía. Inspeccionarla. Reemplazarla si fuera necesario.</li> <li>6. Llevar la unidad a un centro de servicio autorizado para limpieza del carburador.</li> <li>7. Retirar y limpiar el filtro de aire.</li> <li>8. Drenar el tanque de combustible. Limpiarlo. Llenarlo con combustible fresco.</li> </ol>
<p><u>Problemas del motor</u>                      El motor despidе humo excesivamente                      La marcha del motor es muy «irregular»                      El motor funciona erráticamente                      El motor no puede mantener la velocidad plena</p>	<ol style="list-style-type: none"> <li>1. Sin aceite de motor</li> <li>2. Nivel inadecuado del aceite del motor</li> <li>3. Bujía hollinada</li> <li>4. Filtro de aire obstruido</li> <li>5. Combustible contaminado</li> <li>6. Carburador desafinado</li> </ol>	<ol style="list-style-type: none"> <li>1. Agregar aceite para motor</li> <li>2. Revisar el aceite del motor. Agregar o drenar aceite para motor si fuera necesario.</li> <li>3. Retirar la bujía. Inspeccionarla. Reemplazarla si fuera necesario.</li> <li>4. Retirar y limpiar el filtro de aire.</li> <li>5. Drenar el tanque de combustible. Limpiar el tanque de combustible. Llenarlo con combustible fresco.</li> <li>6. Llevar la unidad a un centro de servicio autorizado para ajuste del carburador.</li> </ol>
Vibración o ruido excesivo	<ol style="list-style-type: none"> <li>1. Piezas flojas</li> <li>2. Problemas del motor (arriba)</li> <li>3. Ruido anormal o chirrido procedente de la correa.</li> </ol>	<ol style="list-style-type: none"> <li>1. Apretar todos los sujetadores</li> <li>2. Consultar las soluciones para el motor (arriba)</li> <li>3. Normalmente, debido a la correa/polea por el primer uso. Consulte la sección de tensión de la correa de ajuste.</li> </ol>
Las azadas no giran	<ol style="list-style-type: none"> <li>1. Los residuos interfieren con las azadas</li> <li>2. Azadas flojas</li> <li>3. Ajuste inadecuado del cable motriz</li> <li>4. Correas motrices dañadas</li> </ol>	<ol style="list-style-type: none"> <li>1. Retirar los residuos de las azadas</li> <li>2. Reemplazar los pernos y tuercas de las azadas</li> <li>3. Consúltese la sección «Ajuste de la tensión de las correas» para reducir la tensión de la correa</li> <li>4. Cambiar las correas motrices</li> </ol>
Las azadas continúan rotando cuando la palanca motriz no está engranada	<ol style="list-style-type: none"> <li>1. Ajuste inadecuado del cable motriz</li> <li>2. Correas motrices dañadas</li> </ol>	<ol style="list-style-type: none"> <li>1. Consúltese la sección «Ajuste de la tensión de las correas» para reducir la tensión de la correa</li> <li>2. Cambiar las correas motrices</li> </ol>
El motor no para	Verificar el interruptor	Reemplazar el interruptor
Las azadas no cortan correctamente	Ensamblaje incorrecto de las azadas	Refiérase a la sección «Instalar las azadas»
Paro frecuente del motor	<ol style="list-style-type: none"> <li>1. Velocidad o profundidad excesiva de labranza</li> <li>2. Problemas de motor (arriba)</li> </ol>	<ol style="list-style-type: none"> <li>1. Labrar a un ritmo moderado. Efectuar pasadas múltiples.</li> <li>2. Consultar las soluciones para el motor (arriba)</li> </ol>



# Garantía

• *Conserve todas las instrucciones*

## **A** *Garantía limitada de la MOTOCULTIVADORA ROTATIVA CON TREN DE AZADA POSTERIO Southland®*

Al contactar la fábrica, siempre especificar el número del modelo.

Nos reservamos el derecho de enmendar estas especificaciones en cualquier momento y sin aviso previo. La única garantía pertinentees nuestra garantía estándar por escrito. No ofrecemos ninguna otra garantía, expresa o implícita. MAT Engine Technologies, LLC garantiza que esta Motocultivadora para césped y todas las piezas de la misma, carecerán de defectos en materiales y mano de obra durante dos años (90 días para uso comercial) a partir de la fecha de compra original en un concesionario autorizado, siempre y cuando se haya dado mantenimiento adecuado al producto y se lo haya operado de conformidad con todas las instrucciones pertinentes. Se extiende esta garantía únicamente al comprador al por menor original. Se ha de presentar el contrato de venta o prueba de compra al efectuarse una reclamación bajo esta garantía. Esta garantía no cubre uso industrial o de alquiler, y asimismo, no es pertinente a piezas que no estén en su condición original debido a desgaste normal o piezas que fallan o sufren averías como resultado de uso indebido, accidente, falta de mantenimiento apropiado, manipulación imprudente y peligrosa, o alteración. Excepciones al periodo regular de la garantía pueden ser: artículos de desgaste normal como, hojas cortantes, cabezales de hilos, hojas para barrenas, filtros de aire y bujías que están solamente cubiertos por 60 días contra defectos de materiales o de mano de obra. Los costos de viaje, manipulación, transporte e incidentales asociados con reparaciones bajo garantía no son reembolsables bajo esta garantía y son responsabilidad del propietario. Hasta donde lo permita la ley de la jurisdicción que gobierne la venta de este producto, esta garantía expresa excluye cualesquier y toda otra garantía expresa y limita la duración de cualesquier y toda garantías implícitas, incluyendo las garantías de comerciabilidad e idoneidad para un propósito específico durante dos años a partir de la fecha de compra original, y por la presente, se limita la responsabilidad de MAT Engine Technologies, LLC al precio de compra del producto y MAT Engine Technologies, LLC no será responsable por ningún otro daño en lo absoluto, incluyendo daños incidentales o emergentes. Algunos estados no permiten limitaciones sobre la duración de una garantía implícita, ni la exclusión o limitación de los daños emergentes, por lo cual la limitación de daños anterior podría no ser pertinente en algunos casos. Esta garantía brinda al comprador original derechos jurídicos específicos.

Para obtener información sobre esos derechos, por favor consultar las leyes estatales pertinentes.

**Sede de METL - SÓLO CORRESPONDENCIA**  
**Atención: Servicio Técnico - METL**  
**6700 Wildlife Way**  
**Long Grove, IL 60047**

La garantía del sistema de control de emisiones contaminantes está proporcionada por el fabricante del motor y está incluida con este producto y administrada por MAT Engine Technologies, LLC.

*Si se tiene alguna pregunta sobre la cobertura del propietario al amparo de esta garantía, ponerse en contacto con Servicio al cliente de METL:*



**Si se necesita ayuda o se tienen preguntas, LLAMAR GRATUITAMENTE AL: 1-800-737-2112**