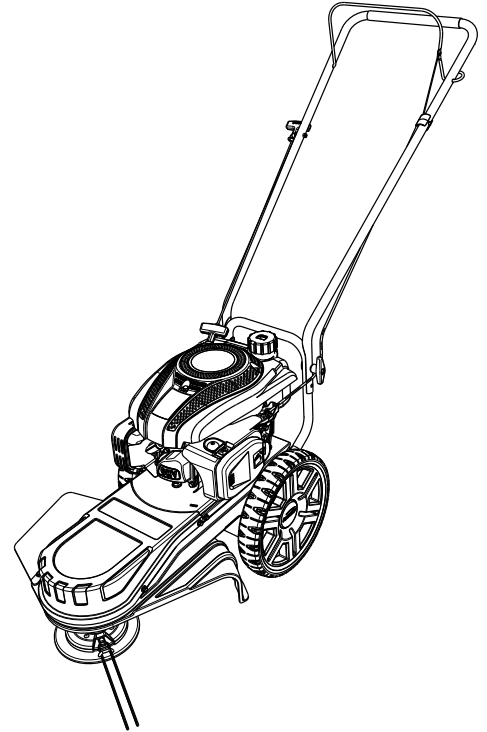


Look Inside for:

	Page
Safety Definitions	1
Important Safety Information	2-4
Safety Decals	5
Specifications	6
Features	6
Assembly	7-8
Engine Preparation	9-10
Operation	11-12
Slope Guide	13
Maintenance	14-19
Technical Service	19
Troubleshooting	20
Warranty	21

**IMPORTANT:**

Thank you for purchasing this Southland® Field Trimmer.

This manual provides complete instructions for safely operating and maintaining your Trimmer. Read and save these instructions. Refer to this manual each time before using your Trimmer.

Record the following for future reference:

Mfg. Date Code: _____

Date of Purchase: Attach a copy of your sales receipt.

Consumer Toll Free Number: 1-800-737-2112

Refer to the website for electronic manual and parts book.
www.southlandpowerequipment.com

WARNING: CONTAINS LEAD. May be harmful if eaten or chewed. May generate dust containing lead. Wash hands after use. Keep out of reach of children.

⚠ WARNING: This product can expose you to chemicals including lead, which is known to the State of California to cause cancer and birth defects or other reproductive harm. For more information go to www.P65Warnings.ca.gov.



If you have a question or problem...

CALL TOLL FREE: 1-800-737-2112

KEEP THIS MANUAL FOR FUTURE REFERENCE




Safety Definitions

• Save these instructions

Important Safety Information












Safety Alert Symbols

The following symbols are used on the product and in this manual to alert the operator of potential safety hazards. Read them carefully, and understand their meaning.







 DANGER	Indicates an imminently hazardous situation which, if not avoided, will result in death or serious injury.
 WARNING	Indicates a potentially hazardous situation which, if not avoided, could result in death or serious injury.
 CAUTION	Indicates a potentially hazardous situation which, if not avoided, may result in minor/moderate injury.
NOTICE	Indicates a situation which may result in equipment / property damage or may relate to general safety messages.

The following symbols may relate to safety and may be found on your trimmer. Carefully read and understand their meaning.

Safety Warning Symbols

	This symbol indicates a potential personal injury hazard. It means: Attention! Be alert! Your safety is involved!		Wear eye protection complying with ANSI Z87.1.
	Read operator's manual before operating this machine. Failure to follow directions could result in serious injury.		Disconnect spark plug wire when not in use or before servicing, cleaning, or performing maintenance on the unit.
	Thrown objects. Remove all rocks, stones, and foreign objects which could be thrown by machine.		Engine exhaust contains carbon monoxide, an odorless and deadly gas. NEVER run unit indoors or in a poorly ventilated area.
	Keep bystanders at a safe distance (15m /50 ft). NEVER use if children are present.		Do NOT touch hot muffler or cylinder. These parts are extremely hot from operation and may remain hot for a short time after operation.
	Do NOT trim up and down slopes. Trim across slopes.		To reduce risk of fire, clean spilled gas and oil and keep unit free from debris. Gasoline is extremely flammable. Allow machine to cool a minimum of 2 minutes before refueling.
	Rotating parts can cause serious injury. Keep hands and feet away.		

Control and Operating Symbols

	Oil Fill Location Do Not Overfill		Gasoline Fill Location
	Start Unit		Stop Unit
	Engine Stop		Push primer 3 times before starting a cold engine. Important: Do not prime to restart a warm engine.

Important Safety Information

- Save all instructions

RESPONSIBILITY OF THE OWNER

1. Carefully read and follow these safety instructions. Failure to do so can result in serious injury.
2. Know your product. Read and understand this manual before use. Compare the illustrations to unit. Learn location and function of all controls. Thoroughly understanding the unit before use will result in the best performance and safety.
3. Follow all instructions when assembling the unit. If the unit was purchased in assembled condition, the operator must check the unit carefully to make sure it was assembled according to the instructions in the manual before use.
4. Regularly inspect the trimmer. Make sure parts are not bent, damaged, or loose.
5. Use this equipment for its intended purpose only.
6. Operate the unit only with guards, shields, and other safety items in place and working correctly.
7. Service the unit only with authorized or approved replacement parts.
8. Complete all unit maintenance and adjustments according to the instructions in this manual.

WARNING

To prevent accidental starting when setting up, transporting, adjusting or making repairs, always disconnect spark plug wire and put wire where it cannot contact the spark plug.

PREPARATION SAFETY

WARNING

- Read, understand, and follow all instructions on this machine and in this manual. Be thoroughly familiar with the controls and the proper use of the trimmer before starting. Know how to stop the engine quickly.
- Familiarize yourself with all the safety and operating decals on this equipment.
- Thoroughly inspect the area where the trimmer is to be used and remove all foreign objects. Your equipment can propel small objects at high speed causing personal injury or property damage. Stay away from breakable objects, such as house windows, auto glass, greenhouses, etc.
- Verify that the control lever is working properly. Make sure that the cable is free and that the control lever is not damaged.
- Check that all nuts and bolts are tight and equipment is in good condition. Check mounting hardware on trimmer head every time you change trimmer line and prior to each use.

OPERATION SAFETY

- Never allow children or young teenagers to operate the trimmer.

WARNING

- Keep area of operation clear of all bystanders, particularly small children and pets.
- Only allow responsible individuals, who are familiar with the instructions, to operate the trimmer.
- Do not operate the trimmer while under the influence of alcohol, drugs, or other medication which can cause drowsiness or affect your ability to operate this machine safely.
- Do not use this machine if you are mentally or physically unable to operate the machine safely.
- Always wear ANSI compliant safety goggles or safety glasses with side shields when operating trimmer to protect your eyes from foreign objects, which can be thrown from the unit.
- Wear appropriate clothing such as a long sleeved shirt or jacket. Also wear long trousers or slacks. Do NOT wear shorts. Do NOT wear loose clothing, which could get caught in this equipment.
- Always wear work gloves and sturdy footwear such as leather work shoes or short boots. These will protect ankles and shins from small sticks, splinters, and other flying debris, and improve traction.
- It is advisable to wear protective headgear to protect against being struck by small flying particles, or being struck by low hanging branches, twigs, or other objects, which may be unnoticed to the operator.

Important Safety Information *(Continued)*

• Save all instructions

⚠ WARNING

- Do not put hands or feet near or under rotating parts.
- When crossing gravel drives, walks, or roads, stop the unit and wait for the trimmer lines to stop. Exercise extreme caution. Stay alert for hidden hazards or traffic.
- Exercise caution to avoid slipping or falling. Never operate trimmer in wet grass. Always be sure of your footing; keep a firm hold on the handle and walk; never run.
- Look behind and use care when backing.
- Never operate the trimmer without good visibility or light.

⚠ DANGER

- Do not run the engine indoors or inside a closed area. The exhaust fumes are dangerous, containing CARBON MONOXIDE, an ODORLESS AND DEADLY GAS.
- If the trimmer should start to vibrate abnormally, stop the engine, disconnect the spark plug wire and prevent it from touching the spark plug. Check immediately for the cause. Vibration is generally a warning of trouble.
- Watch for holes, ruts, bumps, or other rough ground. Tall grass can hide obstacles.

⚠ WARNING

- Frequently clean debris and grass build up from the recoil starter cover holes, under the deck in the trimming head area, and around the muffler. Using the unit with excessive debris can risk fire. Always use extreme caution when using the trimmer during dry conditions.
- Do not trim excessively steep slopes (maximum 15 degrees). See the “Slope Guide” in the back of this manual to check a slope.
- Always trim across the face of slope; never up and down. Exercise extreme caution when changing direction on slopes. If you are uneasy on a slope, do NOT trim it.
- Do NOT trim near drop-offs, ditches, or embankments. The operator could lose footing or balance.

FUEL SAFETY

⚠ WARNING

- Gasoline is extremely flammable, and gasoline vapors can explode if ignited. Handle with Care.
- Use an approved container.
- Check fuel supply before each use, allowing space for expansion as the heat of the engine and/or sun can cause fuel to expand.
- Fill fuel tank outdoors with extreme care. Never fill fuel tank indoors.
- Never remove gas cap or add fuel with the engine running. Allow engine to cool before refueling.
- Do not smoke while refueling.
- After refueling, replace fuel tank cap securely and wipe up spilled fuel.
- Never store fuel or trimmer with fuel in the tank inside a building where fumes may reach an open flame.

Important Safety Information *(Continued)*

- Save all instructions

STORAGE SAFETY

- Always refer to the owner's manual instructions for important details if the trimmer is to be stored for an extended period.
- Never store the trimmer with fuel in the fuel tank inside a building where ignition sources are present such as water heaters, space heaters, clothes dryers, etc.
- To reduce fire hazard, keep trimmer free of grass, leaves, or other debris build-up.
- Allow the engine to cool before storing in any enclosure.

REPAIR, MAINTENANCE, AND ADJUSTMENT SAFETY

- After striking a foreign object, stop the engine. Remove the wire from the spark plug and keep the wire away from the plug to prevent accidental starting. Thoroughly inspect the trimmer for any damage. If damaged, have the equipment repaired by a trained technician before restarting and operating.

⚠ WARNING

- Stop the engine before cleaning, repairing, or inspecting the unit. Make sure all moving parts have stopped. Let the engine cool, disconnect the spark plug wire and move it away from the spark plug.
- Never attempt to make any adjustments while the engine is running except when specifically recommended by the manufacturer.
- Keep the trimmer in safe working condition. Check all fasteners at frequent intervals for proper tightness.
- When servicing or repairing the trimmer, do not tip the machine over or up unless specifically instructed to do so in this Manual. Service and repair procedures can be done with the trimmer in an upright position. Some procedures will be easier if the machine is lifted on a raised platform or working surface.
- Use only original equipment or authorized replacement parts.
- Never tamper with safety devices. Check their proper operation regularly.
- Do not change the engine governor setting or over-speed engine.
- Clean and replace safety and instruction decals as necessary.
- To guard against engine over-heating, always have engine debris filter mounted and clean.

CHILDREN SAFETY

⚠ WARNING

- Tragic accidents can occur if the operator is not alert to the presence of children. Children are often attracted to the trimmer and the trimming activity.
- Keep children out of the trimming area and under the watchful care of a responsible adult.
- Never assume that children will remain where you last saw them.
- Be alert and turn trimmer off if children enter the area.
- Before and while moving backwards, look behind and down for small children.
- Never allow children to operate the trimmer.
- Use extra care when operating blind corners, shrubs, trees, or other objects that may obscure vision.

Safety Decals

• Save all instructions

This field trimmer has been designed and manufactured to provide you with the safety and reliability you would expect from an industry leader in outdoor power equipment manufacturing.

Although reading this manual and the safety instructions it contains will provide you with the necessary basic knowledge to operate this equipment safely and effectively, we have placed several safety labels on the field trimmer to remind you of this important information while you are operating the unit.

These important safety labels are illustrated below, and are shown here to help familiarize you with the location and content of the safety messages you will see as you perform normal trimming operations. Please review these labels now. If you have any questions regarding their meaning or how to comply with these instructions, reread the complete safety instruction text on the preceding pages, or contact your local dealer.

Should any of the safety labels become unreadable because of being worn, faded, or otherwise damaged during the use of your field trimmer, please contact your local authorized dealer to order replacement label.

The safety labels are easily applied, and will act as a constant visual reminder to you and others who may use the equipment. Following the safety instructions is necessary for safe, effective operation of your field trimmer.

See “Safety Definitions” section of this manual for explanations of the safety symbols.



Specifications

• Save all instructions

UNIT	ENGINE
Unit Weight 66 lb. (29.9 kg)	Type 4 Stroke, OHV
Cutting Swath 22 in. (599 mm)	Displacement 150 cc
Cutting Line Diameter. 0.155 in. (4 mm)	Torque Rating 5.75 ft/lbs gross torque per SAE J1940
Wheel Diameter 12 in. (305 mm)	Bore Diam. x Stroke 2.56 x 1.78 in. (65 x 45.2 mm)
Cutting Height. 1.5 in. (38 mm)	Intake Valve Clearance 0.006-0.008 in. (0.15-0.20 mm)
Gasoline Type Regular Unleaded – 87 Octane (min.)	Exhaust Valve Clearance 0.006-0.008 in. (0.15-0.20 mm)
Gasoline Capacity 1.0 qt. (1 L)	Full Throttle RPM 3000
Oil Type (API SG-SL) 10W-30 is recommended for all service temperatures. See page 8 for additional information.	
Oil Capacity 15-1/2 oz. (450 ml)	
Spark Plug Model. Torch K7RTC	
Spark Plug Gap 0.024 - 0.031 in. (0.6 - 0.8mm)	

Features

- 1. Control Lever** - Release to stop the engine.
- 2. Recoil Starter Handle** - The engine is equipped with an easy pull recoil starter.
- 3. Recoil Starter Cover** - Covers recoil starter mechanism. Holes allow air intake to cooling system.
- 4. Spark Plug/Spark Plug Wire** - Provides spark to ignite air/fuel mixture. The spark plug wire must be moved away from the spark plug when servicing the unit.
- 5. Muffler** - Location of engine exhaust.
- 6. Trimmer Guard** - Protects the operator from thrown debris. Blade mounted on guard will automatically cut trimmer line to correct length if line is too long.
- 7. Trimmer Line** - Rotating cutting element of trimmer.
- 8. Trimmer Head** - Rotates the trimmer lines.
- 9. Primer Button** - Injects fuel directly into the carburetor for faster starts.
- 10. Air Filter** - Removes debris and contaminants from intake air, allowing engine to run smoothly with low exhaust.

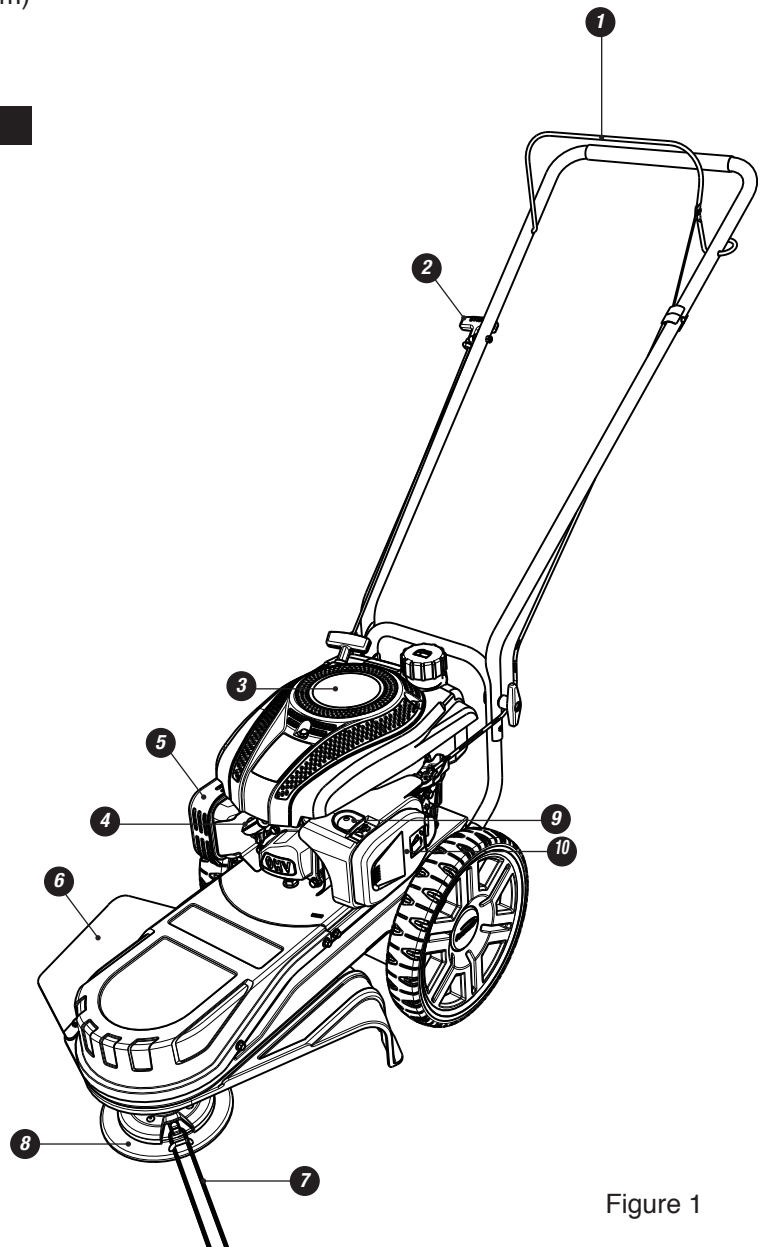


Figure 1

Assembly

• Save all instructions



If you need assistance or find any parts missing, CALL TOLL FREE: 1-800-737-2112.

Read and follow the assembly instructions. Do not discard any parts or materials until the unit is assembled. References to the right or left side of the trimmer are from the viewpoint of the operator's position behind the trimmer.

⚠ WARNING

Do not operate trimmer if it is damaged or not completely and correctly assembled.

Before doing any assembly or maintenance to the unit, remove the wire from the spark plug. The following components will be found in the carton. Quantities shown in ().

Included Parts in the Carton		QTY
1	Operator Manual	1
2	Engine Manual	1
3	Start Guide	1
4	Wing Nuts	2
5	Handle Bolts	2
6	Flange Nut	1
7	Hub Cap	2
8	Two Wheels	1
9	Upper Handle	1
10	Trimmer assembly	1
11	Set of 0.155in. (4mm) Trimmer Line	2
12	Cable Ties	2
13	Container of Engine Oil	1

Assemble the Handle

NOTE: Refer to Figure 2 when following the steps below

1. Attach upper handle assembly to lower handle by aligning bolt holes and inserting provided handle bolts through each side and assembling plastic wing nut.

Assemble the Control Cable to the Control Lever

NOTE: Refer to Figure 3 when following the steps below

After the handle has been assembled, install the control cable as follows:

1. Insert z-hook into hole in the control lever (insert from inside to outside).
2. Clip retainer into hole in handle.
3. Secure control cable to handle with cable ties as desired.
4. To attach the recoil starter handle to the rope guide, engage control lever, pull rope, twist the rope through the rope guide mounted on the right side of the handle.

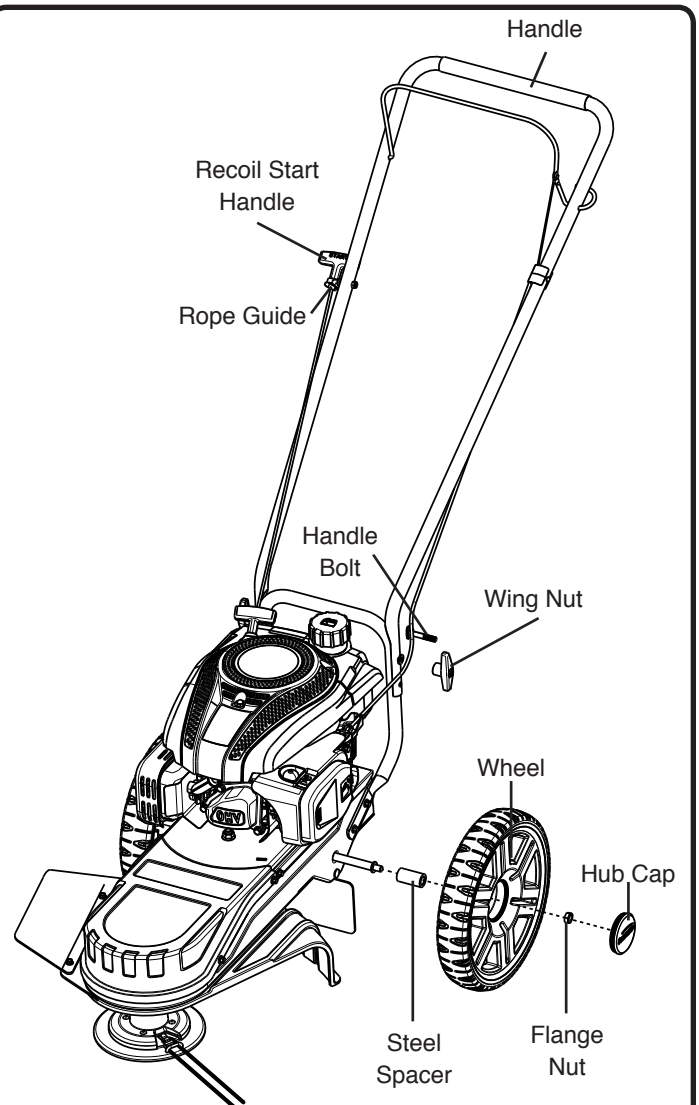


Figure 2

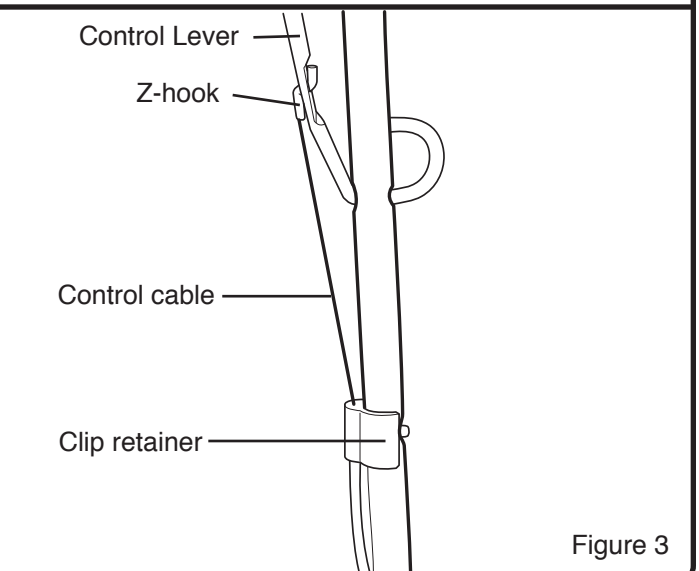


Figure 3

Assembly *(Continued)*

• Save all instructions



If you need assistance or find any parts missing, CALL
TOLL FREE: 1-800-737-2112.

Assemble the Wheel

NOTE: Refer to Figure 2 when following the steps below

1. Place the unit on a level surface.
2. Steel spacer and locknuts are already assembled to each end of axle.
3. Remove nut, install wheel, reinstall nut and tighten securely. Repeat on opposite side.
4. Install hub cap by pressing firmly in the center until the cap snaps into place.

Assemble the Flexible Shield

NOTE: Refer to Figure 4 when following the steps below

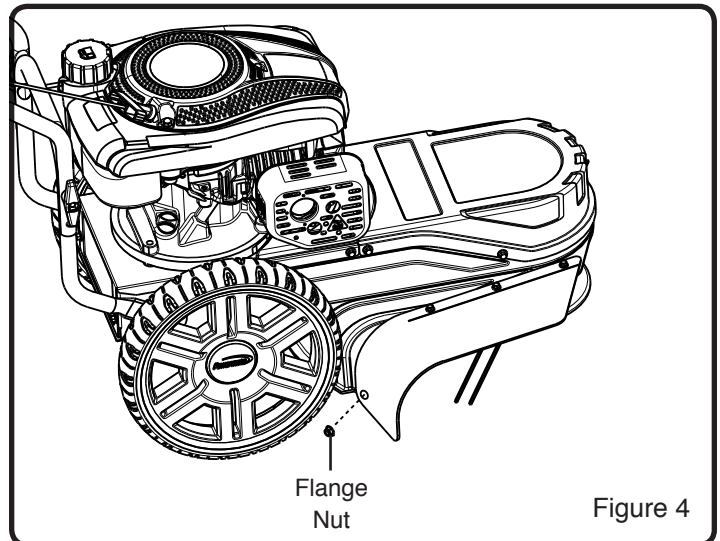
1. Align rear hole of flexible shield with threaded stud at the base of the deflector shroud.
2. Assemble with flange nut.

WARNING

Do not operate trimmer unless all shields are fully installed.

Assemble Fuel Cap

1. Remove label from top of fuel tank filler neck.
2. Install cap by screwing onto tank.



Engine Preparation

• Save all instructions

A Engine Oil

NOTICE

Engine shipped without oil. Failure to add oil will result in serious engine damage.

A bottle of engine oil is included with your Trimmer. Refer to Figure 5 for alternative oil types to use at different temperatures. Always use a high quality detergent oil classified "For Service, SG, SH, SJ" or higher. Do not use special additives. Always use recommended oil type. Using dirty oil or incorrect oil type such as 2-stroke engine oil will shorten engine life.

HOW TO CHECK OIL LEVEL AND FILL TO PROPER LEVEL

⚠ WARNING

Before checking oil, make sure engine is off, and spark plug wire has been disconnected from spark plug.

1. Place trimmer on a level surface.
2. Remove Dipstick and wipe clean with cloth. Refer to Figure 6 for location of Dipstick.
3. Replace Dipstick and do NOT screw it. Remove and check oil level.
4. When oil level is full, the oil will be at upper limit on dipstick. If oil level is near or below the lower limit, oil must be added. (See Figure 6)
5. Add oil slowly until the oil level reaches the upper limit of the dipstick. Use a funnel or nozzle to reduce spillage.

NOTICE

- Frequently check oil level while filling.
DO NOT OVERFILL. DO NOT UNDERFILL. Running engine at improper oil level will seriously damage engine.
6. Replace and tighten dipstick.
 7. Clean up any spilled oil.

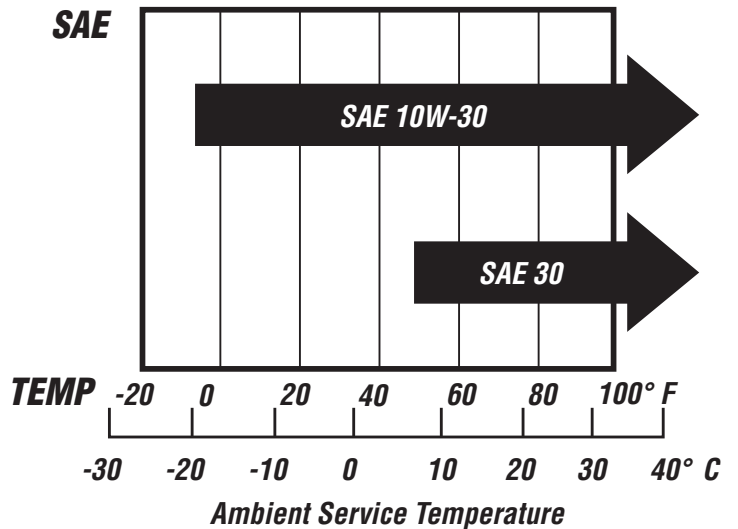


Figure 5

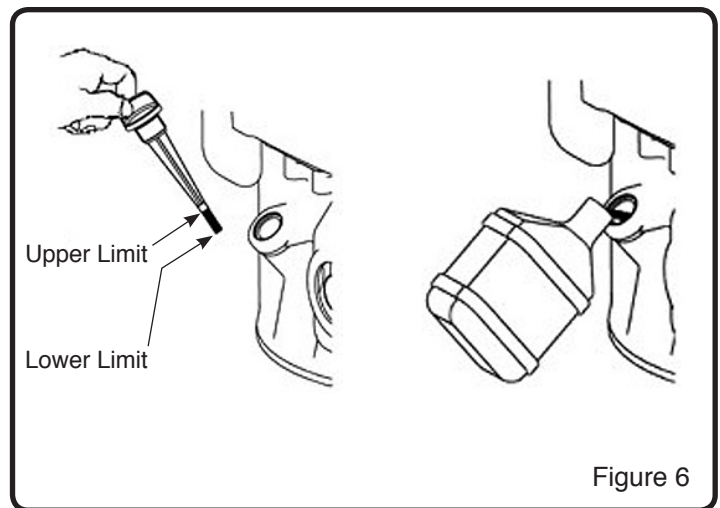


Figure 6

Engine Preparation (Continued)

• Save all instructions

B Fuel

⚠ WARNING

- Gasoline is extremely flammable and vapors can explode if ignited. Handle with care.

Use fresh, clean, regular-unleaded gasoline with a minimum of 87 Octane. Do NOT use leaded gasoline, gasohol, methanol, or diesel fuel. Do NOT mix oil with gasoline. Do NOT allow gasoline to become contaminated with dust, water, or debris.

NOTICE

Using incorrect fuel type or contaminated fuel will cause serious engine damage.

NOTE: Fuel tank capacity is approximately 1.06 qt. US (1.0 L).

HOW TO FILL ENGINE WITH FUEL

⚠ WARNING

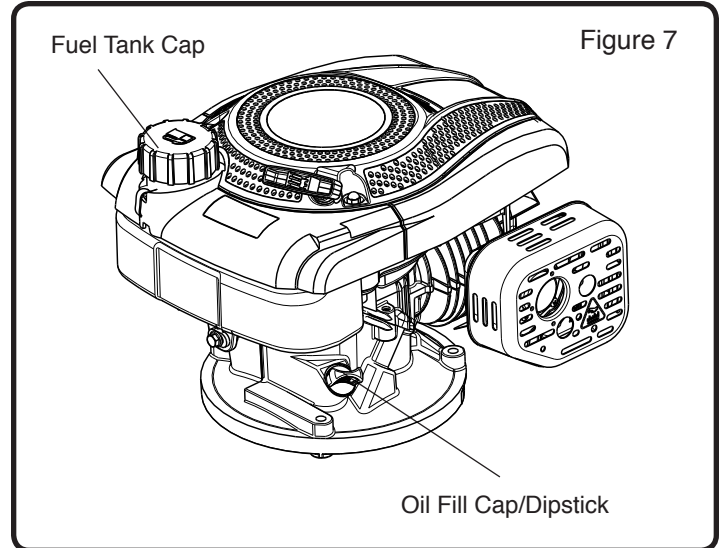
- Turn engine off and let engine cool for several minutes before removing the fuel cap or adding fuel.
- Never fill fuel tank indoors.
- Do not smoke while adding fuel.

1. Clean surface around fuel tank cap to prevent contaminations. Refer to Figure 7 for location of fuel cap.
2. Loosen fuel cap slowly to remove.
3. Pour fuel into the tank. Use care to avoid spillage.

⚠ WARNING

Do NOT OVERFILL fuel. Allow space for the fuel to expand due to heat from engine and/or sun.

4. Before replacing the fuel cap, inspect and clean the fuel cap seal.
5. Replace the fuel cap and securely hand-tighten.
6. Clean up any spilled fuel.



Operation

• Save all instructions

A Before Starting the Engine

⚠ WARNING

Before starting engine, read operator's manual. Become familiar with location and function of all controls. Know how to stop the engine quickly.

Before attempting to start the engine, review the following steps:

1. Unit has been assembled according to all assembly instructions.
2. Unit has been inspected for any damaged or missing components.
3. No parts are remaining in the carton.
4. Engine oil is at proper level.
5. Fresh, clean, regular-unleaded gasoline has been added to fuel tank.
6. Spark plug wire is connected to spark plug.
7. Trimmer has been moved to desired location.
8. Trimmer is on level surface.

⚠ WARNING

Keep all bystanders, especially CHILDREN, away during operation.

IMPORTANT: This unit's engine exhaust system is equipped with a spark-arresting muffler. Tampering with or removing the spark-arrestor violates section 4442 of the California Public Resources Code as well as other applicable state and federal law.

⚠ DANGER

Never run engine indoors or in a poorly ventilated area. Engine exhaust contains Carbon Monoxide, an ODORLESS and DEADLY gas.

B How to Start the Engine

⚠ WARNING

Debris thrown from Trimmer can cause severe eye damage. Always wear ANSI compliant safety glasses or eye shields when operating trimmer. If you wear eyeglasses, put an OSHA certified Wide Vision Safety Mask over your eyeglasses.

NOTICE

Before starting Trimmer, clean debris from holes in the recoil starter cover.

1. Review ALL steps in the "BEFORE STARTING THE ENGINE" section.
2. Push the Primer Bulb 3 times, waiting 2 seconds between each push. (See Figure 8)

NOTE: Not required when re-starting a warm engine.

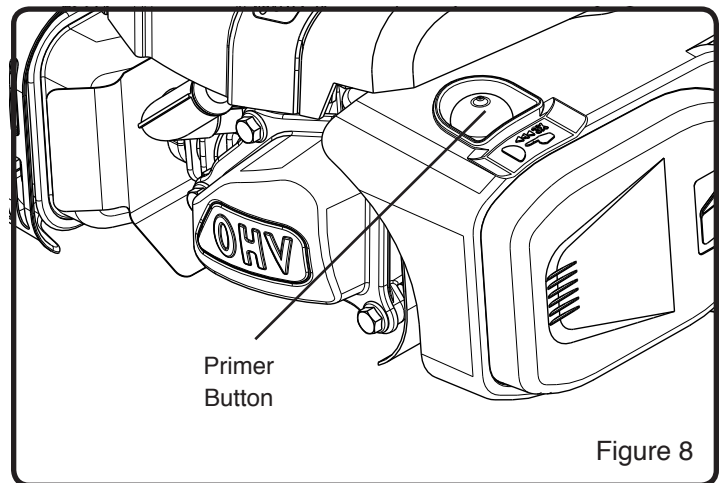


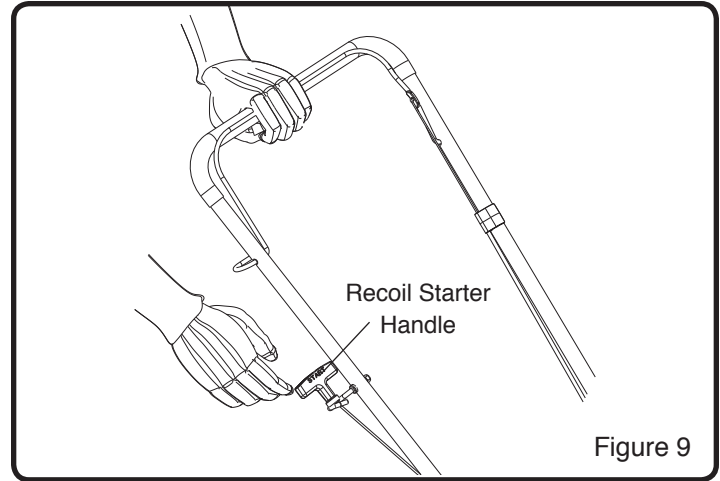
Figure 8

Operation (Continued)

• Save all instructions

B How to Start the Engine

3. Firmly grip the Trimmer handle with your left hand, engaging engine control lever. (See Figure 9)
4. Firmly grip the Recoil Starter Handle with your right hand. (See Figure 9)
5. Pull the recoil starter slowly, until you feel tension in the starter rope. Then quickly pull the recoil starter handle to start engine. DO NOT allow the starter rope to snap back. Let the starter rope slowly rewind as you hold the recoil starter handle.
6. If engine fails to start after three pulls, push the primer button two times and again pull the recoil starter handle.
7. If engine fails to start after 5 or 6 more tries, see the instructions in the “Troubleshooting Chart”.



⚠ WARNING

Keep hands, feet, hair, and loose clothing away from any moving parts. Avoid touching muffler and surrounding areas. Temperatures can exceed 150° F. Keep all safety devices and shields in place.

C How to Stop the Engine

1. Release the control lever.

⚠ CAUTION

Trimmer line will continue to rotate for several seconds after releasing the control lever. Use Caution.

D Trimming Tips

⚠ WARNING

Debris such as sticks, gravel, and rocks can be thrown with sufficient force to cause personal injury or property damage.

- Frequently clean debris and grass build up from the recoil starter cover holes, under the deck in the trimming head area, and around the muffler. Using the unit with excessive debris can risk fire. Always use extreme caution when using the trimmer during dry conditions.
- If the trimmer lines become too short, it will take longer to complete this job. If the trimmer lines are worn to less than half their original length, change to a new trimmer line. See “How to Replace the Trimmer Line” in the Maintenance section.
- Do not trim on excessively steep slopes. See Slope Guide. If a slope is difficult to stand on, do not trim it. Do not trim on slopes when the ground is slippery or wet. Trim across the face of a slope, not up and down.
- Trimmer head contact to concrete, asphalt and harder surfaces may create premature wear.
- For best results and longer lasting line, soak the trimmer line in a pail of water for 24 hours prior to use. A moist line will be more flexible than a dry, brittle line.
- Let the ends of the trimming line do the cutting. This is easily done by moving slowly through very thick or heavy weeds.

SLOPE GUIDE

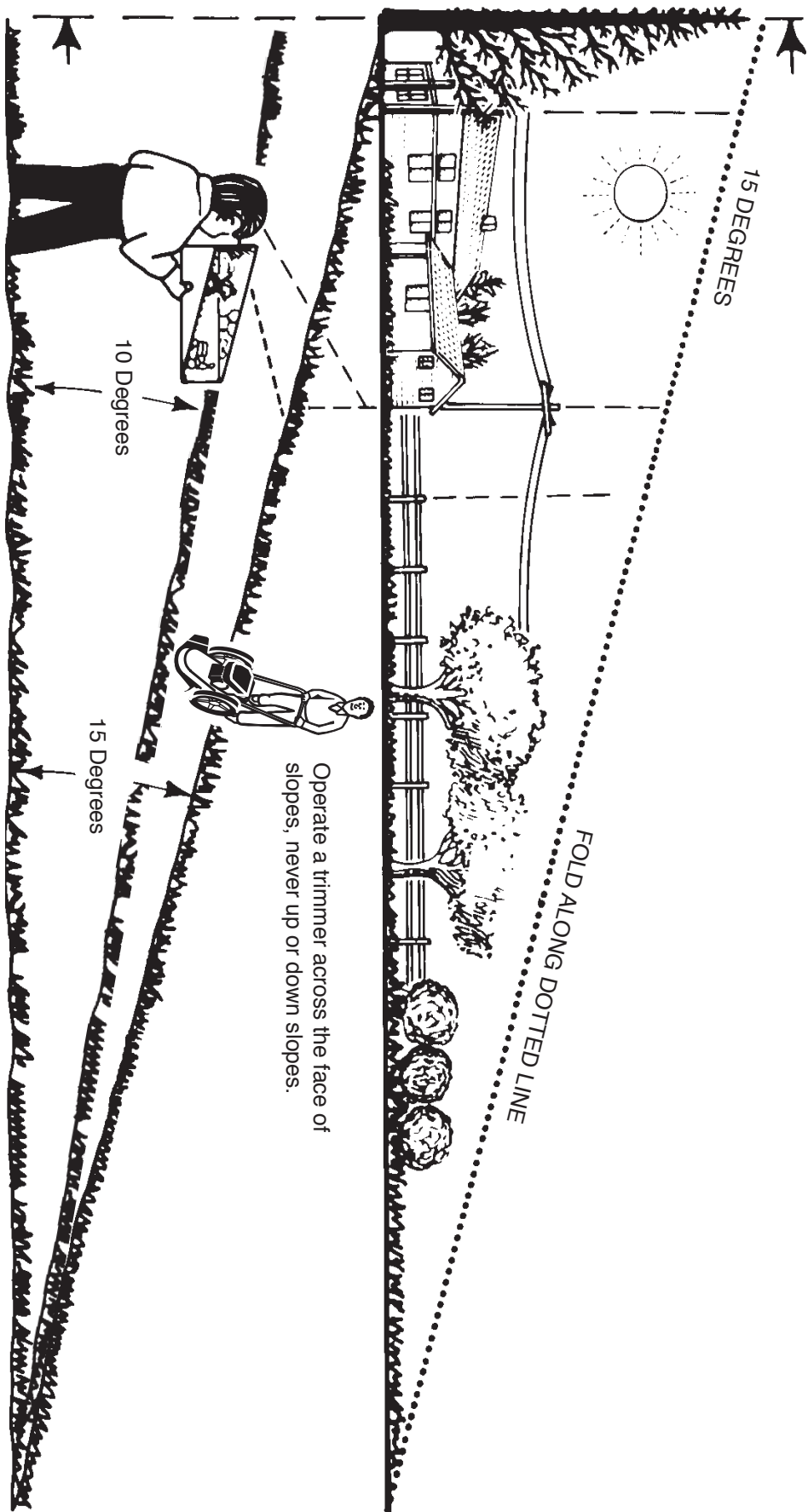
SIGHT AND HOLD THIS GUIDE LEVEL WITH A VERTICAL TREE, A CORNER OF A STRUCTURE, A POWER LINE POLE, OR A FENCE.

Operate a trimmer across the face of slopes, never up or down slopes.

Use this guide and do not trim on a slope greater than 15 degrees.

A 10-degree slope is a hill that increases in height at approximately 1.7 feet in 10 feet.

A 15-degree slope is a hill that increases in height at approximately 2.5 feet in 10 feet.



WARNING!

Use extreme care at all times and avoid sudden turns or maneuvers. Follow other instructions in this manual for safety in trimming on slopes. Operate a trimmer across the face of slopes, never up or down slopes. Use extra care when operating on or near slopes and obstructions.

Maintenance

• Save all instructions

⚠ WARNING

Before performing any maintenance, turn engine off and remove the wire from the spark plug to prevent accidental starting and serious injury.

IMPORTANT: The warranty on this Trimmer does not cover items that have been subjected to operator abuse or negligence. To receive full value from the warranty, the operator must maintain the trimmer as instructed in this manual, and only use genuine replacement parts. The following table lists required periodic maintenance.

PERIODIC MAINTENANCE SCHEDULE TABLE

Service Records- Fill in dates as you complete regular service	Before Each Use	After Every 10 Hours of Use	After Every 25 Hours of Use	After Every 50 Hours of Use	After Every 100 Hour of Use	Before Each Sea- son	Before Storage	See Note Below
Check Engine Oil Level, Fill to Proper Level	√					√		
Check Trimmer Lines and Replace if Necessary	√					√		1
Clean Debris From Unit	√					√	√	2
Check Fasteners for Tightness		√				√		3
Check Fuel Line Replace if Necessary			√			√		
Lubricate Moving Parts			√			√	√	
Check Spark Plug Replace if Necessary			√			√		
Check Drive Belt Replace if Necessary			√			√		
Clean Air Filter, Replace if very Dirty		√				√		4
Change Engine Oil				√		√	√	5, 6
Replace Spark Plug					√			
Clean Combustion Deposits from cylinder, piston, and valves					√			

⚠ CAUTION

IMPORTANT NOTES about Maintenance schedule

1. Change Trimmer Lines when they are half original length.
2. Frequently clean grass from:
 - a. Holes in recoil starter cover
 - b. Under deck in the trimmer head area
 - c. Around muffler
3. Re-check fastener tightness after the first 2 hours of initial use.
4. Clean air filter every 10 hours. Clean more often if operating under dusty conditions.
5. Change engine oil after first 5-8 hours of initial use
6. Change oil every 25 hours if operating under heavy load or in high temperatures

⚠ WARNING

Use only GENUINE replacement parts. Other parts may damage the unit or result in injury.

Maintenance *(Continued)*

- Save all instructions

How to Change the Oil

NOTE: Refer to Figure 7 when following the steps below:

1. Stop the engine and allow it to cool.
2. Disconnect spark plug wire from the spark plug.
3. Remove oil dipstick. (See Figure 7)
4. Tilt engine and allow all of oil to drain into a collection pan.

IMPORTANT: Used oil is a hazardous waste. Place oil in a sealed container and take to your local recycling center. Do NOT discard with household waste.

5. To re-fill engine with oil, see engine preparation section “How to Check Oil and Fill to Proper Level”.

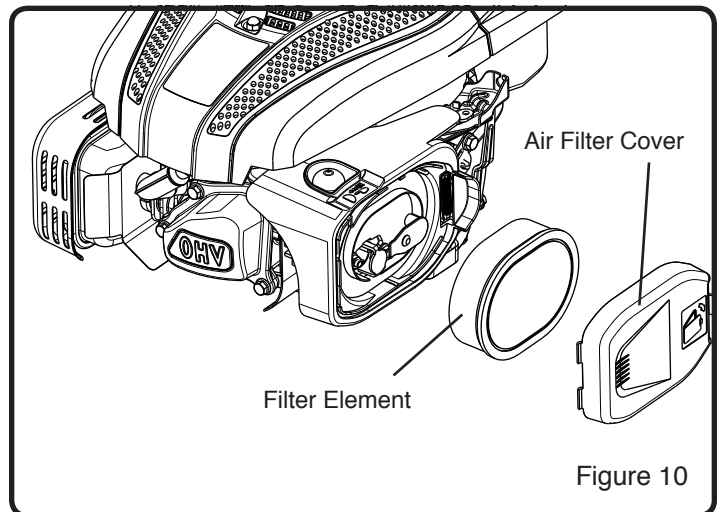
How to Clean the Air Filter

A dirty air filter will restrict air intake. Periodic maintenance of the air filter will help improve engine performance and reduce emissions.

⚠ WARNING

Never clean air filter with gasoline or an easy ignited solvent because it may create a fire hazard.

1. Remove the air filter cover, and carefully remove the filter element. (See Figure 10)
2. Clean all parts. Clean filter element by gently tapping it on a flat surface. Replace if very dirty.
3. Reinstall the filter element and air filter cover.



Maintenance *(Continued)*

• Save all instructions

How to Replace the Trimmer Lines

When the trimmer line becomes worn to half the original length, replace the trimmer line. For the best performance, use a heavy gauge 0.155 in. [4 mm] trimmer line.

1. Stop the engine. Wait for all moving parts to stop.

Disconnect the wire from the spark plug.

2. Remove the worn trimmer line from line retainer.

3. Cut the length of the trimmer line to 21.5 in. [546 mm].

Use the length guide; located on the shield to make sure the trimmer line is the correct length. (See Figure 11)

NOTE: Do not allow the length of the lines to vary more than one inch. Make sure the trimmer head is balanced and does not vibrate.

IMPORTANT: To extend the life of the trimmer line, keep the trimmer line moist. If not kept moist, the nylon trimmer line will become dry and brittle. Keep extra trimmer line in a can of water. The line will then stay flexible and easy to change. A flexible line will also last much longer.

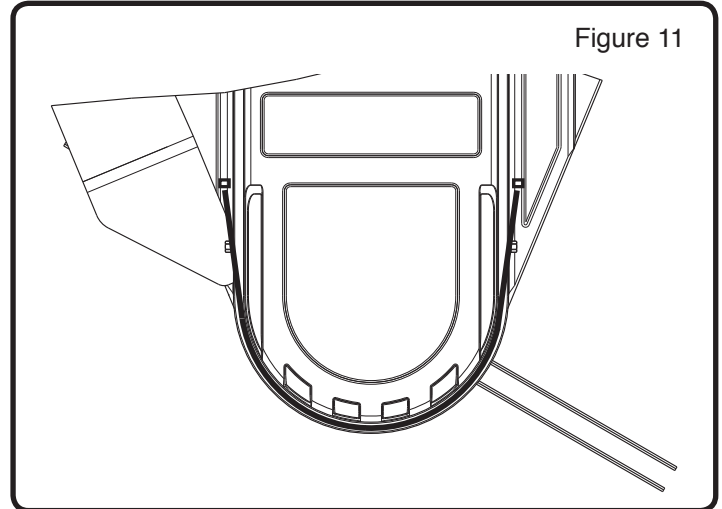


Figure 11

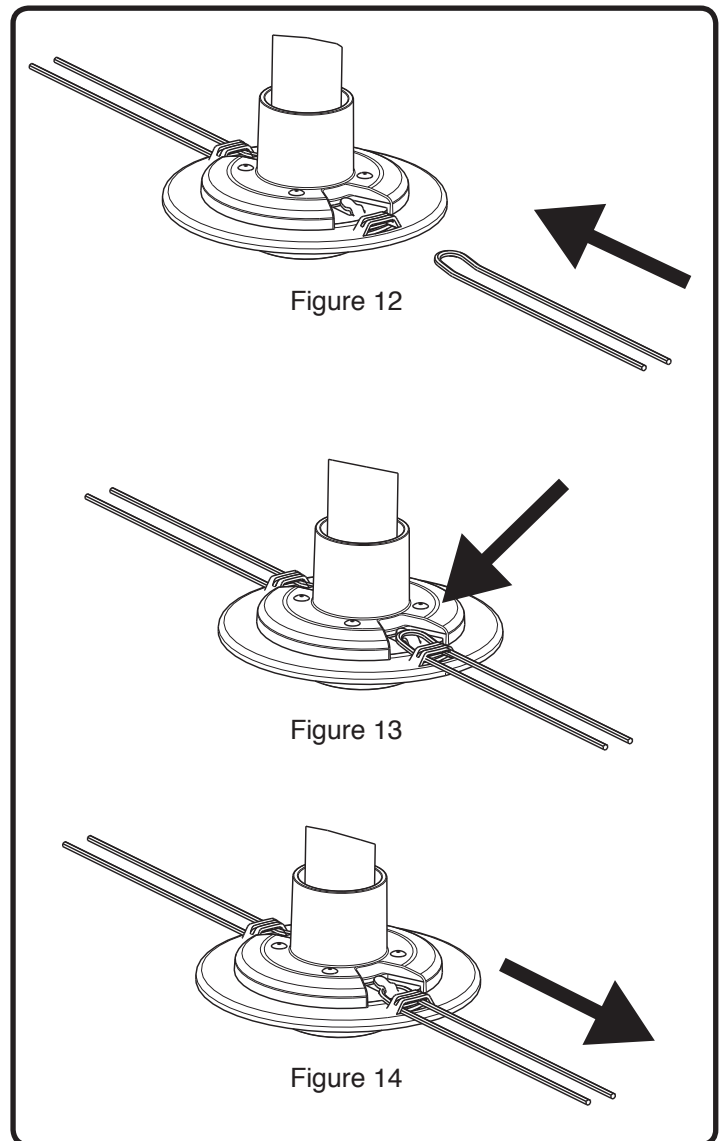


Figure 12

Figure 13

Figure 14

Maintenance (Continued)

- Save all instructions

How to Check the Spark Plug

Spark Plug Model: Torch K7RTC

⚠ CAUTION

Only use the recommended spark plug or a spark plug with the same temperature range. Using an improper spark plug, an incorrect spark plug gap, or a dirty/fouled spark plug can reduce engine performance and cause damage.

1. Stop engine and allow it to cool.
2. Remove spark plug wire from spark plug.
3. Remove the spark plug with a size 16mm (5/8 inch) deep well socket.
4. Visually inspect the spark plug for cracks or damage. If cracked, replace spark plug.
5. Clean carbon deposits. If excessive carbon build up, replace spark plug.
6. Check that the gap of the spark plug is 0.24-0.031 in. (0.6-0.8 mm). (Figure 15)
7. Re-insert the spark plug and tighten to 12 foot-pounds (16 Nm).
8. Reattach spark plug wire to spark plug.

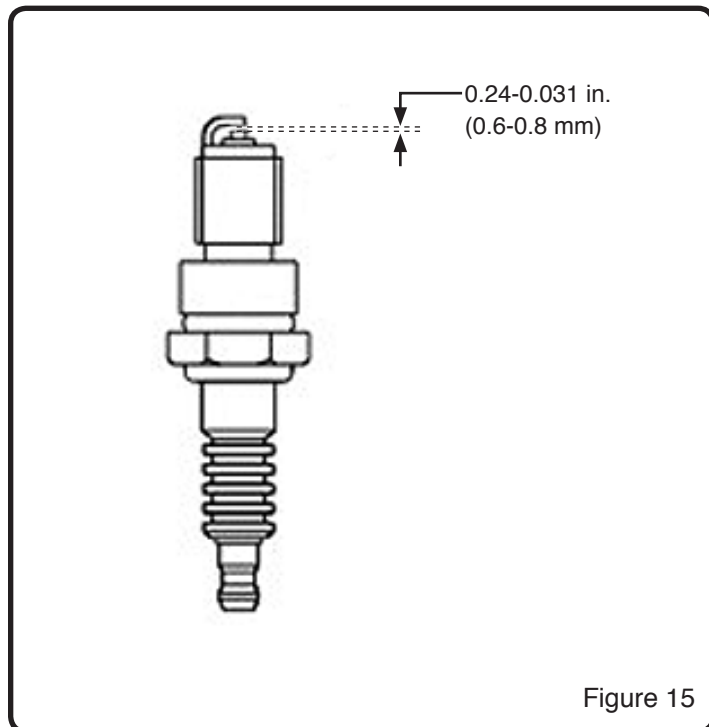


Figure 15

Maintenance (Continued)

• Save all instructions

How to Replace the Drive Belt

⚠ WARNING

Before you remove the drive belt, disconnect the wire from the spark plug.

1. Remove the four fasteners that hold the plastic belt guard to the trimmer housing. (See Figure 16)
2. Remove the plastic belt guard.
3. Remove the flange nut and washer that hold the forward drive pulley onto the trimmer head. (See Figure 16)
4. Pull straight up on the forward drive pulley to remove it from the spindle head shaft.
5. Remove the flange nut holding the idler pulley to the idler bracket. (See Figure 17)
6. Remove the drive belt from the unit.

IMPORTANT: Only use a replacement belt from the manufacturer. To order spare parts, call us at: 1-800-737-2112

7. To assemble the drive belt, reverse the above steps.
8. The torque specs are
 - 50-70 inch-pounds [5.7-8.0 Nm] for the belt guard.
 - 27-33 foot-pounds [36.6-44.7 Nm] for the drive pulley mounting nut.
9. Check the routing of the drive belt. Make sure the drive belt is inside of all belt guides and that the belt is not twisted. (See Figure 17)

IMPORTANT: Test the drive system. Start the engine and assure that the spindle head is turning freely.

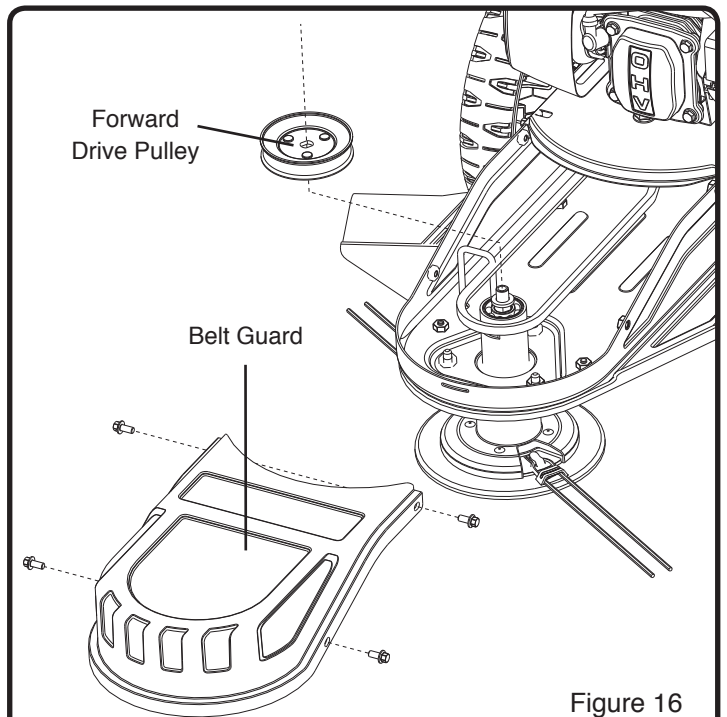


Figure 16

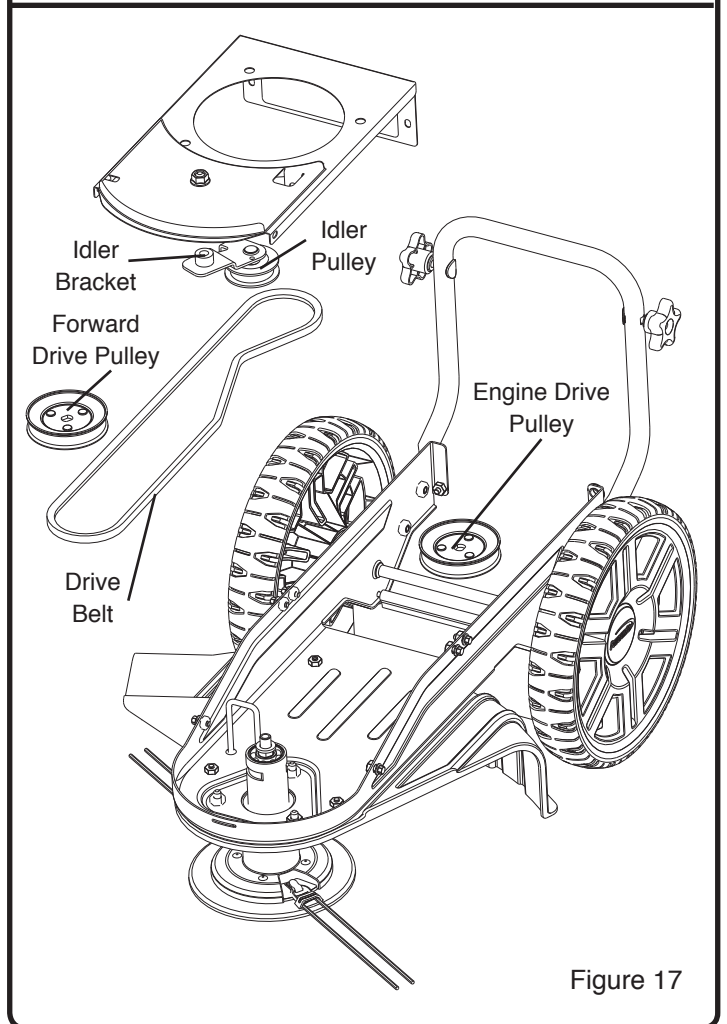


Figure 17

Maintenance *(Continued)*

- Save all instructions

How to Prepare for Storage

WARNING

Never store the trimmer indoors with fuel in the fuel tank. Never store in an enclosed, poorly ventilated area where fumes could reach an open flame, a spark or a pilot light as on a furnace, water heater or clothes dryer. Allow engine to cool before storing unit.

Do not remove gasoline while inside a building, near a fire, or while you smoke. Gasoline fumes can cause an explosion or a fire.

NOTE: A yearly checkup or tune-up at an authorized service center will make sure that the trimmer will provide maximum performance for the next season.

When the trimmer is put in storage for thirty days or more, the following steps should be followed to make sure the Trimmer is in good condition the next season. To prevent fuel gum deposits and corrosion in the unit's carburetor and fuel system, it is highly recommended to use a fuel additive/stabilizer formulated for ethanol fuels. Follow the stabilizer manufacturer's instructions. Run the engine for at least 5 minutes after adding stabilizer.

1. Let the engine run until it is out of gasoline. Remove carburetor screw from bowl and drain fuel. Tilt the unit slightly to remove all fuel. Replace screw.
2. Change the oil by following instructions under "How to Change the Engine Oil" section.
3. Remove the spark plug from the cylinder. Pour one ounce of oil into the cylinder. Slowly pull the recoil-start grip so that the oil will protect the cylinder. Install a spark plug in the cylinder. Pull recoil slowly until resistance is felt. This will close the cylinder valves.

WARNING

Do NOT attach spark plug wire to spark plug when storing unit.

4. Clean Trimmer. Remove all dirt, leaves, debris, grease, etc. from the Trimmer – including cylinder cooling fins, recoil starter cover holes, under fuel tank, and under muffler.
5. Check the trimmer for worn or damaged parts. Have damaged parts replaced if necessary.
6. Tighten any loose hardware.
7. Apply lubrication as directed in Maintenance section.
8. Put the unit in a building that has good ventilation.

Technical Service

You may have further questions about assembling, operating, or maintaining this Trimmer. If so, you can contact our Technical Service Department at 1-800-737-2112 (English only).

You may also write to:

METL - CORRESPONDENCE ONLY
ATTN: Technical Service – METL
6700 Wildlife Way
Long Grove, IL 60047



**If you need assistance or have any questions, CALL
TOLL FREE: 1-800-737-2112.**

When contacting the Technical Service Department, have ready:

- Your Name
- Your Address
- Your Phone Number
- Model Number of Product
- Date of Purchase (include copy of receipt for written requests)
- Date Code on Unit

Troubleshooting

• Save all instructions

PROBLEM	POSSIBLE CAUSE(S)	SOLUTION(S)
Engine difficult to start	<ol style="list-style-type: none"> 1. Out of fuel 2. Engine not primed 3. Engine Flooded 4. Spark plug wire disconnected 5. Defective throttle control lever or wire 6. Fouled spark plug 7. Clogged air filter 8. Dirty Carburetor 9. Contaminated Fuel 	<ol style="list-style-type: none"> 1. Add fresh fuel. 2. Press Primer bulb 3 times, waiting 2 seconds between each push. 3. Wait a few minutes before starting. 4. Attach spark plug wire to spark plug. 5. Inspect lever and wire. Replace if necessary. 6. Remove spark plug. Inspect. Replace if necessary. 7. Remove and clean air filter. 8. Take unit to an authorized service center for carburetor cleaning. 9. Drain fuel tank. Clean fuel tank. Fill with fresh fuel.
<u>Engine Problems</u> Engine smokes excessively Engine runs very “rough” Engine runs erratically Engine cannot maintain full speed	<ol style="list-style-type: none"> 1. No Engine Oil 2. Engine oil not at proper level 3. Fouled spark plug 4. Clogged air filter 5. Carburetor out of adjustment 6. Contaminated Fuel 	<ol style="list-style-type: none"> 1. Add engine oil. 2. Check engine oil. Add or drain engine oil if necessary. 3. Remove spark plug. Inspect. Replace if necessary. 4. Remove and clean air filter. 5. Take unit to an authorized service center for carburetor adjustment. 6. Drain fuel tank. Clean fuel tank. Fill with fresh fuel.
Excessive vibration / noise	<ol style="list-style-type: none"> 1. Loose parts 2. Trimmer lines unequal length 3. Engine problems (above) 	<ol style="list-style-type: none"> 1. Tighten all fasteners. 2. Replace with trimmer lines of equal length. 3. Refer to engine solutions (above).
Engine Overheats	<ol style="list-style-type: none"> 1. Clogged Cooling system 2. Engine problems (above) 	<ol style="list-style-type: none"> 1. Remove debris from recoil starter cover and cooling fins. 2. Refer to engine solutions (above).
Engine will not stop	<ol style="list-style-type: none"> 1. Defective control lever or wire 	<ol style="list-style-type: none"> 1. Inspect lever and wire. Replace if necessary.
Poor Trimming performance	<ol style="list-style-type: none"> 1. Trimmer line is too short 2. Engine problems (above) 	<ol style="list-style-type: none"> 1. Replace with correct length trimmer line (22 inches). 2. Refer to engine solutions (above).
Trimmer head does not retain line	<ol style="list-style-type: none"> 1. Trimmer line not properly attached 2. Broken line retainer 3. Trimmer line not correct size 4. Trimmer line too brittle 	<ol style="list-style-type: none"> 1. Follow instructions in maintenance section for attaching line. 2. Have trimmer head assembly replaced. 3. Use a 0.155 in. (4 mm) trimmer line. 4. Use a trimmer line that has been soaking in water.

Warranty

• Save all instructions

A Southland® FIELD TRIMMER Limited Warranty

Always specify model number when contacting the factory.

We reserve the right to amend these specifications at any time without notice. The only warranty applicable is our standard written warranty. We make no other warranty, expressed or implied. MAT Engine Technologies, LLC warrants this Field Trimmer and any parts thereof, to be free from defects in material and workmanship for two years (90 days for commercial use) from the date of first purchase from an authorized dealer, provided that the product has been properly maintained and operated in accordance with all applicable instructions. This warranty is extended only to the original retail purchaser. The bill of sales or proof of purchase must be presented at the time a claim is made under this warranty. This warranty does not cover industrial, or rental usage, nor does it apply to parts that are not in original condition because of normal wear and tear, or parts that fail or become damaged as a result of misuse, accident, lack of proper maintenance, tampering, or alteration. Exceptions to the standard warranty period would be normal wear items such as cutting blades, string heads, earth auger blades, air filters, and spark plugs which are only covered for 60 days against defects in material or workmanship. Travel, handling, transportation, and incidental costs associated with warranty repairs are not reimbursable under this warranty and are the responsibility of the owner. To the full extent allowed by the law of the jurisdiction that governs the sale of the product, this express warranty excludes any and all other expressed warranties and limits the duration of any and all implied warranties, including warranties of merchantability and fitness for a particular purpose to two years from the date of first purchase, and MAT Engine Technologies, LLC's liability is hereby limited to the purchase price of the product and MAT Engine Technologies, LLC shall not be liable for any other damages whatsoever including indirect, incidental, or consequential damages. Some states do not allow limitation of how long an implied warranty lasts or an exclusion or limitation of incidental or consequential damages, so the above limitation of damages may not apply to you. This warranty provides the original purchaser with specific rights.

For information regarding those rights, please consult the applicable state laws.

METL - CORRESPONDENCE ONLY
ATTN: Technical Service – METL
6700 Wildlife Way
Long Grove, IL 60047

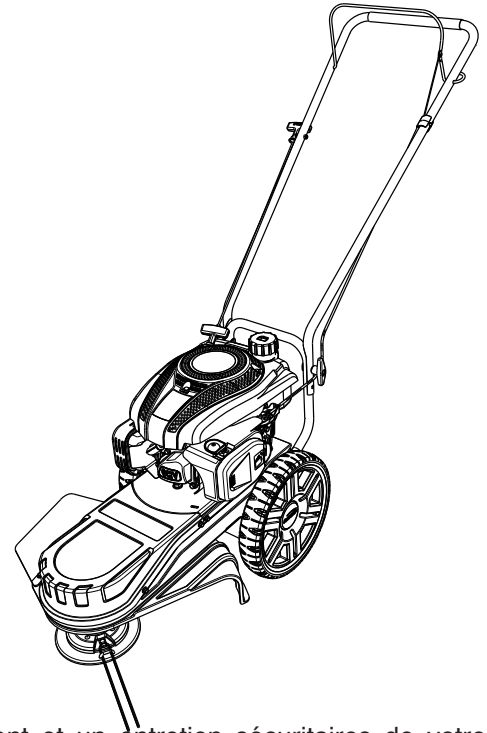
The Engine Emissions Control System Warranty is provided by the engine manufacturer, included with this product and administered by MAT Engine Technologies, LLC.

If you have any questions regarding your warranty coverage, you should contact METL customer service:



If you need assistance or have any questions,
CALL TOLL FREE: 1-800-737-2112

Retrouver à l'intérieur :	Page
Définitions de sécurité	1
Importante information de sécurité	2-4
Étiquettes de sécurité	5
Spécifications	6
Caractéristiques	6
Assemblage	7-8
Préparation du moteur	9-10
Fonctionnement	11-12
Guide de pente	13
Entretien	14-19
Service technique	19
Dépannage	20
Garantie	21

**IMPORTANT :**

Félicitations pour l'achat de votre débroussailleuse Southland®

Ce manuel comprend les directives complètes pour assurer un fonctionnement et un entretien sécuritaires de votre débroussailleuse. Veuillez référer à ce manuel avant chaque usage de votre débroussailleuse.

Veillez noter les éléments suivants pour une référence future :

Code – Date de fabrication : _____

Date d'achat : Joignez une copie de votre reçu de caisse.

Numéro sans frais – service à la clientèle : 1-800-737-2112

**Référez au site Web pour un manuel sous forme électronique
et un catalogue des pièces.**

www.southlandpowerequipment.com

AVERTISSEMENT : CONTIENT DU PLOMB. Peut être nocif s'il est ingéré ou mâché. Peut générer de la poussière contenant du plomb. Se laver les mains après usage. Garder hors de la portée des enfants.

⚠ **AVERTISSEMENT :** Ce produit pourrait vous exposer à des produits chimiques, y compris le plomb, reconnu par l'État de Californie comme cause de cancer et de malformations congénitales ou autres problèmes du système de reproduction. Pour obtenir plus d'information, visitez www.P65Warnings.ca.gov.



Si vous avez une question ou un problème...

APPELEZ SANS FRAIS : 1-800-737-2112

CONSERVEZ CE MANUEL POUR RÉFÉRENCE FUTURE





Définitions de sécurité

• Conservez ces directives

Importante information de sécurité







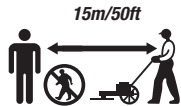




Symboles d'alerte de sécurité

Les symboles suivants sont utilisés sur le produit et dans ce manuel pour alerter l'opérateur de potentiels dangers concernant la sécurité. Assurez-vous de les lire attentivement et de comprendre leur signification.







 DANGER	Signale une situation imminente et dangereuse qui, si elle n'est pas évitée, entraînera la mort ou des blessures graves.
 AVERTISSEMENT	Signale une situation potentiellement dangereuse susceptible, si elle n'est pas évitée, d'entraîner la mort ou des blessures graves.
 MISE EN GARDE	Signale une situation potentiellement dangereuse susceptible, si elle n'est pas évitée, de causer des blessures de mineures à moyennes.
 AVIS	Indique une pratique qui n'est pas reliée à des blessures personnelles, mais qui, si elle n'est pas évitée, peut entraîner des dommages matériels.

Les symboles suivants peuvent se rapporter à la sécurité et peuvent se retrouver sur votre débroussailluse. Assurez-vous de les lire attentivement et de comprendre leur signification.

Symboles d'avertissement de sécurité

	Recherchez ce symbole qui indique des mesures de sécurité importantes concernant les risques de blessures. Il signifie : Attention! Devenez vigilant! Votre sécurité est en jeu.		Portez une protection oculaire homologuée ANSI Z87.1
	Veuillez lire le manuel de l'utilisateur, avant de faire fonctionner cet appareil. Le défaut de suivre les directives pourrait provoquer de sérieuses blessures.		Débranchez le câble de bougie d'allumage lorsqu'il n'est pas utilisé ou avant de procéder à la réparation, au nettoyage ou à l'entretien de cette unité.
	Objets projetés. Retirez toutes les roches, cailloux et corps étrangers, pouvant être projetés par l'appareil.		Le moteur produit du monoxyde de carbone, un gaz toxique, inodore et mortel. Ne faites jamais fonctionner un moteur à l'intérieur ou dans un endroit mal ventilé.
	Maintenez les spectateurs à une distance de sécurité (15 m / 50 pi). Ne JAMAIS utiliser en présence d'enfants.		Ne PAS toucher un tuyau d'échappement ou un cylindre chaud. Ces pièces deviennent extrêmement chaudes durant le fonctionnement et peuvent demeurer ainsi pour une courte période de temps après le fonctionnement.
	N'utilisez PAS l'unité en montées et en descentes. Utilisez-la parallèlement dans les pentes.		Pour réduire le risque d'incendie, nettoyez les déversements d'essence et d'huile et maintenir l'unité libre de débris. L'essence est extrêmement inflammable. Laissez l'unité refroidir durant un minimum de 2 minutes, avant de refaire le plein.
	Les pièces rotatives peuvent provoquer de sérieuses blessures. Maintenez les mains et les pieds à l'écart.		

Symboles de contrôle et de fonctionnement

	Emplacement de remplissage d'huile Éviter un trop-plein		Emplacement de remplissage d'essence
	Démarrer l'unité		Arrêter l'unité
	Arrêter le moteur		Enfoncez pour amorcer 3 fois avant de démarrer un moteur froid. N'utilisez pas l'ampoule d'amorce pour démarrer un moteur chaud.

Importante information de sécurité

• Conservez ces directives

RESPONSABILITÉ DE PROPRIÉTAIRE

1. Veuillez lire et suivre ces directives de sécurité. Le défaut d'y adhérer pourrait provoquer de sérieuses blessures.
2. Apprenez à connaître votre produit. Veuillez lire et comprendre ce manuel avant l'usage. Comparez les illustrations avec l'unité. Apprenez à connaître l'emplacement et le fonctionnement de tous les contrôles. De comprendre complètement l'unité avant l'usage offrira plus de rendement et de sécurité.
3. Veuillez suivre toutes les directives lors de l'assemblage de l'unité. Si vous vous êtes procuré l'unité déjà assemblée, l'opérateur doit vérifier l'unité attentivement pour s'assurer que celle-ci a été assemblée selon les directives du manuel avant l'usage.
4. Inspectez régulièrement la débrousailleuse. Assurez-vous que les pièces ne sont pas tordues, endommagées ou desserrées.
5. N'utilisez cet appareil que pour l'objectif visé.
6. Faites fonctionner l'unité seulement lorsque les protecteurs et autres articles de sécurité sont bien en place et fonctionnent adéquatement.
7. Réparez l'unité seulement avec des pièces autorisées ou approuvées.
8. Complétez tout l'entretien et les réglages de l'unité, selon les directives retrouvées dans ce manuel.

⚠ AVERTISSEMENT

Pour prévenir les mises en marche involontaires lors de la préparation, du transport, de réglages ou de réparations, assurez-vous de toujours débrancher le câble de la bougie d'allumage et placez ce câble où il ne peut entrer en contact avec la bougie.

SÉCURITÉ DURANT LA PRÉPARATION

⚠ AVERTISSEMENT

- Lisez, comprenez et suivez toutes les directives sur cet appareil et dans ce manuel. Familiarisez-vous complètement avec les contrôles et l'usage approprié de la débrousailleuse avant de commencer. Apprenez à arrêter le moteur rapidement.
- Familiarisez-vous avec toutes les décalcomanies de sécurité et de fonctionnement sur cet appareil.
- Inspectez minutieusement l'espace où la débrousailleuse sera utilisée et retirez tous les corps étrangers. Votre appareil peut projeter de petits objets à haute vitesse, pouvant provoquer des blessures ou des dommages matériels. Tenez-vous loin d'objets cassants, tels : fenêtres de maison, vitres d'auto, serres, etc.
- Vérifiez que le levier de contrôle fonctionne adéquatement. Assurez-vous que le câble est libre et que le levier de contrôle n'est pas endommagé.
- Vérifiez que tous les boulons et écrous sont resserrés et que l'appareil est en bonne condition. Vérifiez la quincaillerie de montage sur la tête de la débrousailleuse, chaque fois que vous en changez le fil de coupe et avant chaque usage.

SÉCURITÉ DURANT L'USAGE

- Ne permettez jamais à des enfants ou à de jeunes adolescents d'utiliser la débrousailleuse.

⚠ AVERTISSEMENT

- Maintenez l'espace de travail exempt de spectateurs, surtout de jeunes enfants et d'animaux.
- Ne permettez qu'à des personnes responsables et familières avec les directives de faire fonctionner la débrousailleuse.
- N'utilisez pas la débrousailleuse lorsque sous l'influence d'alcool, drogues ou autre médication pouvant provoquer de la somnolence ou affecter votre capacité à opérer cet appareil en toute sécurité.
- N'utilisez pas cet appareil si vous êtes mentalement ou physiquement inapte à opérer cet appareil en toute sécurité.
- En utilisant la débrousailleuse, portez toujours des lunettes de sécurité conformes à ANSI ou des lunettes de sécurité avec protecteurs latéraux, pour protéger vos yeux de corps étrangers pouvant être projetés de l'unité.
- Portez toujours des vêtements appropriés tels, une chemise à manches longues ou un gilet. Ne portez PAS de culottes courtes. Ne portez PAS de vêtements amples, pouvant s'entremêler dans l'appareil.
- Portez toujours des gants de travail et de robustes souliers, tels de bottes de travail en cuir ou des bottes courtes. Ceux-ci protégeront les chevilles et le bas des jambes contre les petits morceaux de branchage, les éclats de bois et autres débris volants et améliorera la traction.
- Il est recommandé de porter un casque protecteur pour protéger contre les petites particules volantes ou d'être heurté

Importante information de sécurité (Suite)

• Conservez ces directives

par des branches basses ou autres objets passant inaperçus aux yeux de l'opérateur.

⚠ AVERTISSEMENT

- Ne placez pas vos mains ni vos pieds près ou sous les pièces rotatives.
- En traversant des entrées, passages ou chemins de gravillons, arrêtez l'unité et attendez que les fils de coupe se soient arrêtés. Faites preuve d'extrême précaution. Demeurez vigilants pour reconnaître les dangers cachés ou le trafic.
- Soyez vigilants pour éviter de glisser ou de tomber. N'utilisez jamais la débroussailleuse en présence de gazon mouillé. Assurez-vous toujours d'avoir un pied sûr; conservez une bonne prise sur la poignée et marchez; ne courez jamais.
- Regardez derrière et prenez grand soin en reculant.
- N'utilisez jamais la débroussailleuse sans avoir une bonne visibilité ou une bonne lumière.

⚠ DANGER

- Ne faites pas fonctionner le moteur à l'intérieur ou dans un espace fermé. Les gaz d'échappement sont dangereux et contiennent du MONOXYDE DE CARBONE, un GAZ INODORE ET MORTEL.
- Si la débroussailleuse commence à vibrer de façon anormale, arrêtez le moteur, débranchez le câble de la bougie d'allumage et assurez-vous qu'il n'entre pas en contact avec la bougie. Vérifiez immédiatement la cause. Normalement une vibration représente un avertissement de problème.
- Ouvrez l'œil pour la présence de trous, d'ornières, de buttes ou toute autre dénivellation de terrain. Les herbes hautes peuvent cacher des obstacles.

⚠ AVERTISSEMENT

- Nettoyez fréquemment l'accumulation de débris et de gazon dans les orifices du couvercle du lanceur à rappel, sous la plate-forme de la tête de la débroussailleuse et autour du silencieux. Utiliser l'unité en présence de débris excessif peut provoquer un incendie. Soyez extrêmement prudents en utilisant la débroussailleuse durant des conditions climatiques sèches.
- N'utilisez PAS l'unité de façon excessive sur les pentes abruptes (maximum 15 degrés). Consultez le «Guide pour pentes» à l'arrière de ce manuel pour vérifier une pente.
- Utilisez l'unité parallèlement dans les pentes; jamais en montées et en descentes. Soyez extrêmement prudents en changeant de direction dans les pentes. Si vous n'êtes pas à l'aise sur une pente, ne vous y aventurez PAS.
- N'utilisez PAS l'unité près de points de chute, fossés ou levées de terrain. L'opérateur pourrait y perdre pied ou l'équilibre.

SÉCURITÉ DE COMBUSTIBLE

⚠ AVERTISSEMENT

- L'essence est extrêmement inflammable et les vapeurs d'essence peuvent exploser si allumées. Manipulez avec soin.
- Utilisez un récipient approuvé.
- Vérifiez l'alimentation en combustible avant chaque usage, en laissant de l'espace pour l'expansion, car la chaleur du moteur et /ou du soleil peut provoquer une expansion du combustible.
- Remplissez le réservoir de combustible à l'extérieur avec un soin extrême. Ne jamais remplir le réservoir de combustible à l'intérieur.
- Ne retirez pas le bouchon du réservoir de combustible ; n'ajoutez pas de combustible lorsque le moteur est en marche. Laissez le moteur refroidir avant un ravitaillement.
- Ne fumez pas durant un ravitaillement.
- Après un ravitaillement, replacez fermement en place le bouchon du réservoir de combustible et essayez tout déversement de combustible.
- Ne rangez jamais de combustible ou la débroussailleuse avec du combustible dans le réservoir dans un édifice où les vapeurs pourraient rejoindre une flamme nue.

Importante information de sécurité (Suite)

- Conservez ces directives

SÉCURITÉ DE RANGEMENT

- Référez toujours aux directives du manuel de l'utilisateur relativement aux détails importants, si la débroussailleuse est rangée pour une période de temps prolongée.
- Ne rangez jamais la débroussailleuse avec du combustible dans le réservoir dans un édifice où se trouvent des sources possibles d'ignition, telles des chauffe-eau, radiateurs, sècheuses à linge, etc.
- Pour réduire les dangers d'incendie, maintenez la débroussailleuse libre d'une accumulation de gazon, feuilles ou autres débris.
- Laissez le moteur refroidir avant de ranger l'unité dans tout espace fermé.

SÉCURITÉ POUR RÉPARATIONS, ENTRETIEN ET RÉGLAGES

- Après avoir frappé un objet, arrêtez le moteur. Débranchez le câble de la bougie d'allumage et placez-le où il ne peut entrer en contact avec la bougie, pour prévenir les mises en marche involontaires. Vérifiez soigneusement la débroussailleuse, pour détecter tout dommage. En présence de dommages, assurez-vous de faire réparer l'unité par un technicien formé, avant de redémarrer et de réutiliser l'unité.

⚠ AVERTISSEMENT

- Arrêtez le moteur avant de procéder au nettoyage, à l'inspection ou à des réparations de l'unité. Assurez-vous que toutes les pièces sont immobiles. Laissez refroidir le moteur, débranchez le câble de la bougie d'allumage et placez-le où il ne peut entrer en contact avec la bougie.
- Ne tentez jamais de procéder à des réglages, lorsque l'unité fonctionne, sauf lorsque spécifiquement recommandé par le fabricant.
- Maintenez la débroussailleuse en condition sécuritaire de fonctionnement. Vérifiez toutes les attaches à intervalles fréquentes pour assurer un serrage approprié.
- Lors de réparations ou d'entretien de la débroussailleuse, ne basculez pas l'unité, à moins d'être spécifiquement instruit de le faire dans le manuel. Les procédures de réparations ou d'entretien peuvent être exécutées lorsque la débroussailleuse est positionnée usuelle. Certaines procédures seront plus faciles à exécuter, lorsque l'unité est soulevée sur une plate-forme ou une surface de travail surélevée.
- Utilisez uniquement de l'équipement original ou des pièces de remplacement autorisées.
- Ne trafiquez jamais des dispositifs de sécurité. Vérifiez leur fonctionnement approprié de façon régulière.
- Ne changez pas la configuration du moteur; ne procédez pas à un réglage de surrégime de moteur.
- Nettoyez et remplacez les décalcomanies de sécurité et de directives, selon le besoin.
- Pour protéger contre la surchauffe du moteur, assurez-vous que le filtre à débris est propre et en place.

SÉCURITÉ DES ENFANTS

⚠ AVERTISSEMENT

- Des accidents tragiques peuvent survenir si l'opérateur n'est pas vigilant à la présence d'enfants. Les enfants sont souvent attirés par la débroussailleuse et le travail accompli.
- Maintenez les enfants à l'écart de la zone de travail et sous la surveillance d'un adulte responsable.
- Ne présumez jamais que les enfants demeureront à l'endroit où vous les avez vus la dernière fois.
- Soyez vigilant et arrêtez la débroussailleuse à l'approche d'enfants dans la zone de travail.
- Avant et pendant que vous reculez, regardez derrière et vers le sol pour détecter la présence d'enfants.
- Ne permettez jamais à des enfants d'utiliser la débroussailleuse.
- Soyez particulièrement prudent en utilisant l'unité près d'angles morts, arbustes, arbres ou autres objets pouvant bloquer votre vision.

Étiquettes de sécurité

• *Conservez ces instructions*

Cette débroussailleuse a été conçue et fabriquée pour vous offrir la sécurité et la fiabilité à laquelle vous attendez, de la part d'un chef de file industriel dans le domaine de la fabrication d'équipement extérieur motorisé.

Même si la lecture de ce manuel et les directives de sécurité qu'il contient vous procurera les connaissances de base pour assurer le fonctionnement sécuritaire et efficace de cet appareil, nous avons disposé plusieurs étiquettes de sécurité sur la débroussailleuse, pour rappeler ces renseignements importants à l'usage de cet appareil.

Ces importantes étiquettes de sécurité sont illustrées plus bas pour vous familiariser avec l'emplacement et le contenu des messages de sécurité que vous verrez, lorsque vous procéderez à des travaux normaux de labourage. Veuillez consulter ces étiquettes maintenant. Si vous avez des questions quant à leur signification ou à la façon de respecter des directives, lisez à nouveau le texte complet des directives de sécurité des pages

précédentes ou contactez votre détaillant local. Si jamais ces étiquettes devenaient illisibles parce qu'elles sont usées, décolorées ou endommagées de quelque façon, contactez votre détaillant autorisé local pour commander des étiquettes de remplacement.

Il est facile d'appliquer ces étiquettes de sécurité et elles sauront agir comme constants rappels visuels pour vous et tous les autres usagers de cet appareil. Suivre ces directives de sécurité est nécessaire pour assurer un fonctionnement sécuritaire et efficace de votre débroussailleuse.

Consultez la section des "Définitions de sécurité" de ce manuel pour trouver les explications des symboles de sécurité.



⚠ WARNING

Avoid serious injury or death.

 <p>Read and follow operator's manual.</p>	 <p>Go across slopes NOT up and down.</p>
 <p>Do NOT operate when children or others are present. Keep guards, shields and safety devices in place.</p>	 <p>Wear safety approved eye protection when operating.</p>

Spécifications

• Conservez ces directives

UNITÉ

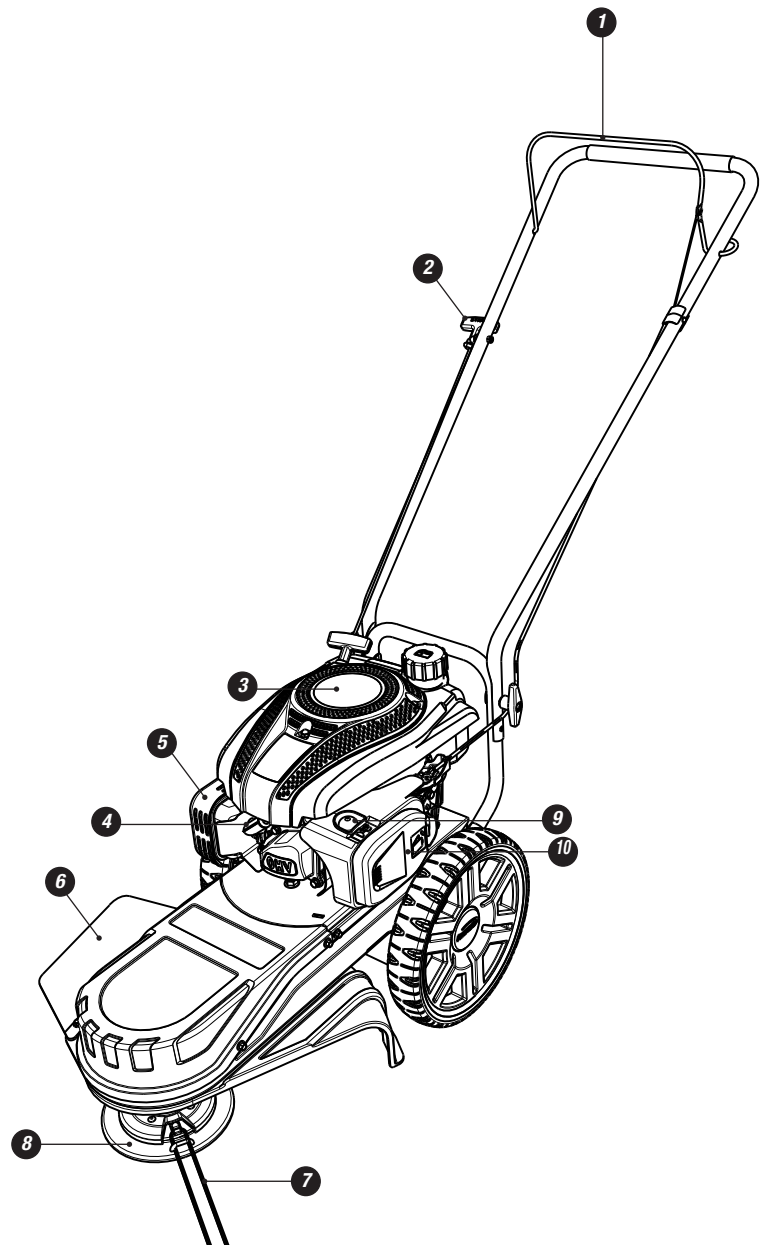
Poids de l'unité 29,9 kg (66 lb)
Largeur de coupe 59,9 cm (22 po)
Diamètre du fil de coupe 4 mm (0. 155 po)
Diamètre de roue 30,5 cm (12 po)
Hauteur de coupe 38 mm (1,5 po)
Type d'essence . Régulière sans plomb – 87 Octane (min.)
Capacité d'essence 1 litre (1.06 pinte US)
Type d'huile (API SG-SL) . . 10W-30 est recommandée pour
toutes les températures de service.
Voir page 32 pour plus d'information.
Capacité d'huile 450 ml (15-1/2 oz US)
Modèle de bougie d'allumage Torch K7RTC
Écartement d'électrode – Bougie d'allumage
0.024 - 0.031 in. (0.6 - 0.8mm)

MOTEUR

Type 4 temps, à soupapes en tête
Cylindrée 150 cc
Couple nominal Couple brut de 7.72 Nm / 5.7 pi-lb
(Selon SAE J1940)
Diamètre d'alésage x Course de piston
65 x 45.2 mm (2.56 x 1.78 po)
Jeu – Soupape d'admission
0.006-0.008 mm (0.15-0.20 po)
Jeu – Soupape d'échappement
0.006-0.008 mm (0.15-0.20 po)
Tours/minute – Plein régime 3000

Caractéristiques

- 1. Levier de contrôle** - Relâchez pour arrêter le moteur.
- 2. Poignée de lanceur à rappel** - Le moteur est équipé d'un lanceur à rappel à traction facile.
- 3. Couvercle de lanceur à rappel** - Recouvre le mécanisme du lanceur à rappel. Les orifices permettent l'entrée d'air vers le système de refroidissement.
- 4. Bougie d'allumage/Câble de bougie d'allumage** - Procure l'étincelle pour allumer le mélange d'air comburant / combustible. Le câble de bougie d'allumage doit être éloigné de la bougie d'allumage, durant tout entretien de l'unité.
- 5. Silencieux** - Emplacement de l'échappement du moteur.
- 6. Protecteur de débroussailleuse** - Protège l'opérateur contre les débris projetés. La lame installée sur le protecteur coupera automatiquement le fil de coupe à la longueur appropriée, si le fil est trop long.
- 7. Fils de coupe de débroussailleuse** - Élément rotatif de coupe de la débroussailleuse
- 8. Tête de débroussailleuse** - Fait tourner les fils de coupe de la débroussailleuse.
- 9. Ampoule d'amorce** - Injecte le combustible directement dans le carburateur pour effectuer des démarrages plus rapides.
- 10. Filtre à air** - Retire les débris et les contaminants de l'air d'aspiration, permettant au moteur de rouler en douceur et à faible niveau d'émissions.



Assemblage

• Conservez ces directives



Si vous avez besoin d'assistance ou devez trouver des pièces manquantes, APPELEZ SANS FRAIS : 1-800-737-2112.

Veuillez lire et suivre les directives d'assemblage. Ne jetez aucune pièce ou matériaux jusqu'à ce que l'assemblage ne soit complété. Les références faites à la droite ou à la gauche de la débroussailleuse représentent le point de vue de la position de l'opérateur, lorsqu'il est placé derrière la débroussailleuse.

⚠ AVERTISSEMENT

N'utilisez pas la débroussailleuse si celle-ci est endommagée ou n'est pas complètement et correctement assemblée. Avant de procéder à l'assemblage ou à l'entretien de l'unité, retirez le câble de la bougie d'allumage. Vous trouverez les composants suivants dans la boîte.

Pièces incluses dans la boîte.		QTÉ.
1	Manuel de l'opérateur	1
2	Manuel de moteur	1
3	Guide de démarrage	1
4	Écrous de type papillon	2
5	Boulons de poignée	2
6	Écrou à embase	1
7	Enjoliveur de roue	2
8	Deux roues	1
9	Poignée supérieure	1
10	Manuel d'assemblage de la débroussailleuse	1
11	Jeu de fils de coupe de 0.155 po (4 mm) de débroussailleuse	1
12	Attaches pour câble	2
13	Contenant d'huile à moteur	2

Comment assembler la poignée

REMARQUE : Référez à la Figure 2 en suivant les étapes suivantes

1. Fixez l'ensemble de la poignée supérieure à la poignée inférieure, en alignant les orifices de boulons et en insérant à travers chaque côté les boulons de poignée fournis et en installant un écrou papillon en plastique.

Comment assembler le câble de contrôle au levier de contrôle

REMARQUE : Référez à la Figure 3 en suivant les étapes suivante
Après avoir assemblé la poignée, installez le câble de contrôle comme suit :

1. Insérez le crochet en "Z" dans l'orifice du levier de contrôle (insérez de l'intérieur vers l'extérieur).
2. Installez la pince dans l'orifice de la poignée.
3. Pour fixer la poignée du lanceur à rappel au guide de cordon, tenir le levier de contrôle, corde de tirage, tournez le cordon à travers le guide de cordon, installé sur le côté droit de la poignée.

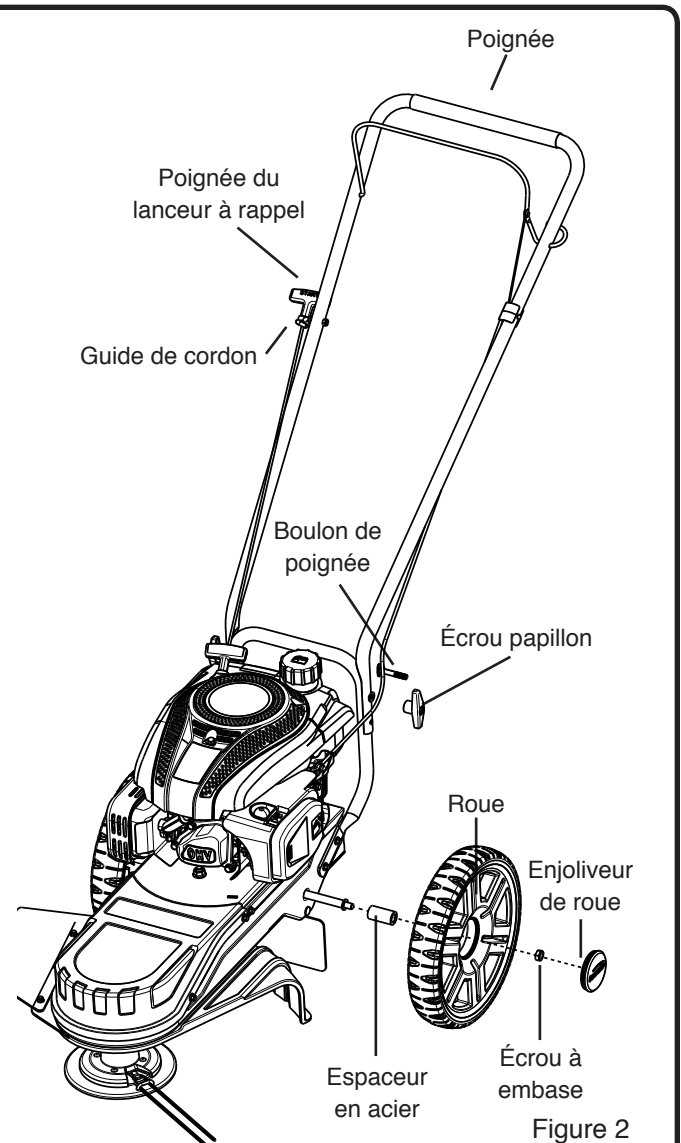


Figure 2

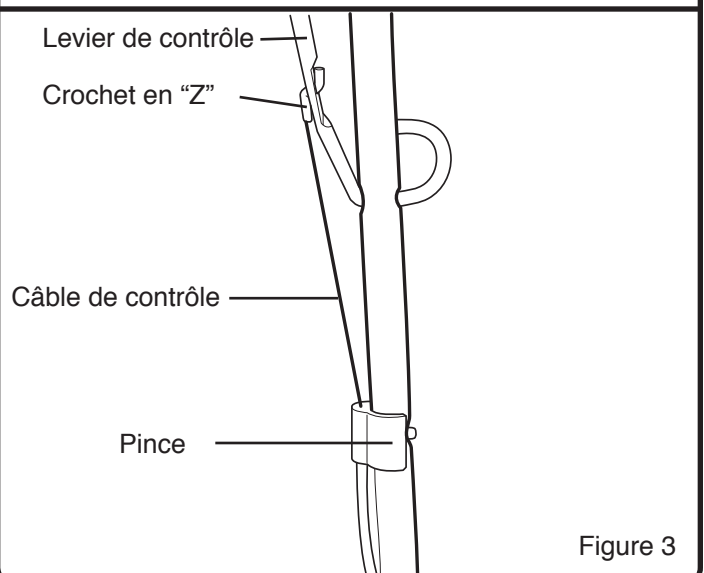


Figure 3

Assemblage

• Conservez ces directives



Si vous avez besoin d'assistance ou devez trouver des pièces manquantes, APPELEZ SANS FRAIS : 1-800-737-2112.

Comment assembler la roue

REMARQUE : Référez à la Figure 2 en suivant les étapes suivantes

1. Placez l'unité sur une surface unie.
2. Installez les espaceurs en acier sur l'essieu.
3. Installez les roues et fixez-les en place à l'aide des écrous à embase.
4. Installez l'enjoliveur de roue, en appuyant fermement dans le centre, jusqu'à ce qu'il s'imbrique en place.

Comment assembler le protecteur flexible

REMARQUE : Référez à la Figure 4 en suivant les étapes suivantes

1. Alignez l'orifice arrière du protecteur flexible à une tige filetée, situé à la base du déflecteur.
2. Assemblez à l'aide d'un écrou à embase.

⚠ AVERTISSEMENT

N'utilisez pas la débroussailleuse à moins que tous les protecteurs ne soient complètement installés.

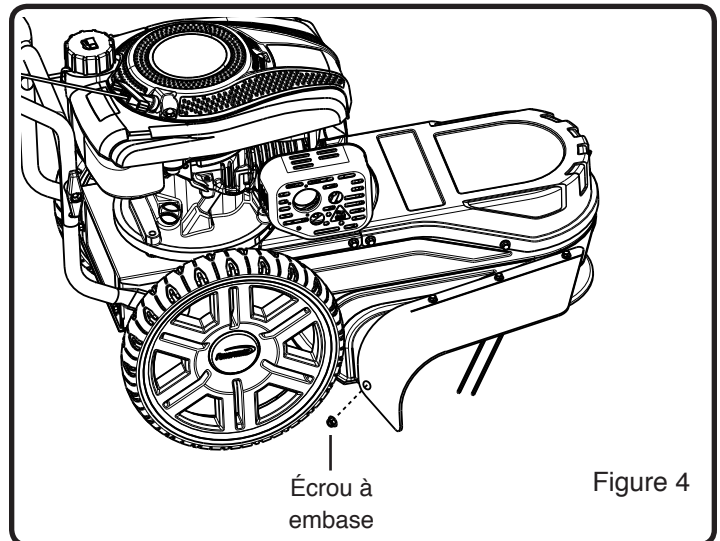


Figure 4

Préparation du moteur

• Conservez ces directives

A Huile à moteur

AVIS

Le moteur est expédié sans huile. Le défaut d'ajouter de l'huile causera de sérieux dommages au moteur.

Une bouteille d'huile à moteur est incluse avec votre débroussailleuse. Veuillez référer à la Figure 5 pour connaître les types alternatifs d'huile à utiliser selon les différentes températures. Utilisez toujours une huile détergente classifiée «Pour Service, SG, SH, SJ» ou plus élevé. N'utilisez pas d'additifs spéciaux.

Utilisez toujours le type d'huile recommandé. L'usage d'huile souillée ou un type d'huile inapproprié telle l'huile à moteur 2 temps, raccourcira la vie du moteur.

COMMENT VÉRIFIER LE NIVEAU D'HUILE ET REMPLIR AU NIVEAU APPROPRIÉ

⚠ AVERTISSEMENT

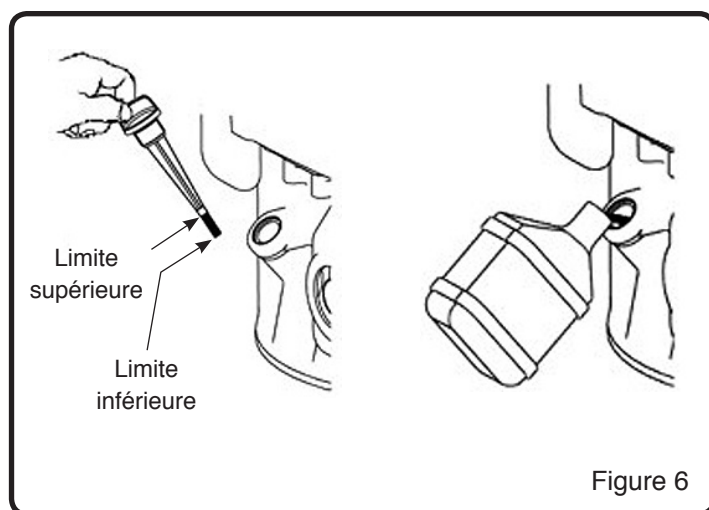
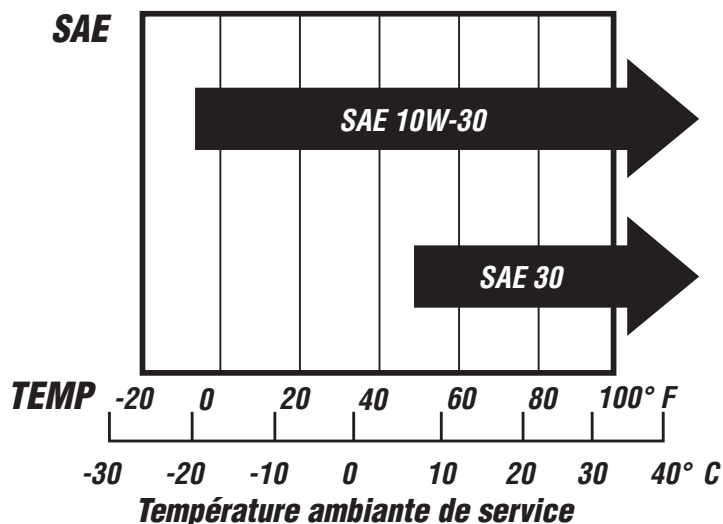
Avant de vérifier l'huile, assurez-vous que le moteur est arrêté et que le câble de la bougie d'allumage est bien débranché de la bougie d'allumage.

1. Placez la débroussailleuse sur une surface unie.
2. Retirez la jauge graduée et essuyez-la à l'aide d'un chiffon propre. Référez à la Figure 7 pour l'emplacement de la jauge graduée.
3. Remplacez la jauge graduée et ne la vissez PAS. Retirez-la et vérifiez le niveau d'huile.
4. Lorsque le niveau d'huile est plein, l'huile sera située à la limite supérieure de la jauge graduée. Si le niveau d'huile est situé près ou sous la limite inférieure, il faut ajouter de l'huile. (Voir Figure 6)
5. Ajoutez lentement de l'huile, jusqu'à ce que le niveau d'huile atteigne la limite supérieure de la jauge graduée. Utilisez un entonnoir ou une buse pour réduire les déversements.

AVIS

Vérifiez fréquemment le niveau d'huile durant le remplissage. FAITES ATTENTION DE NE PAS TROP REMPLIR / OU DE REMPLIR INSUFFISAMMENT. Faire fonctionner le moteur à un niveau d'huile inapproprié peut sérieusement endommager le moteur.

6. Remplacez et resserrez la jauge graduée.
7. Nettoyez tout déversement d'huile.



Préparation du moteur (Suite)

• Conservez ces directives

B Combustible

⚠ AVERTISSEMENT

- L'essence est extrêmement inflammable et les vapeurs peuvent exploser si elles s'enflamment. Manipulez avec soin.

Utilisez une essence régulière sans plomb fraîche et propre, avec un indice d'octane 87 minimum. N'utilisez PAS d'essence avec plomb, gazohol, méthanol ou combustible diesel. Ne mélangez PAS d'huile à l'essence. Ne permettez pas la contamination de l'essence avec la poussière, eau ou débris.

AVIS

L'usage d'un type de combustible inapproprié ou contaminé provoquera de sérieux dommages au moteur.

REMARQUE : La capacité du réservoir de combustible est d'environ 1 litre (1.06 pinte US)

COMMENT REMPLIR LE MOTEUR D'ESSENCE

⚠ AVERTISSEMENT

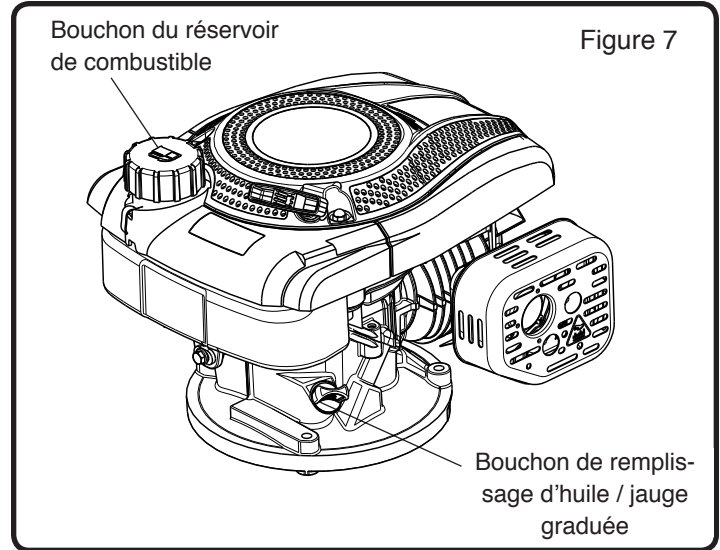
- Arrêtez le moteur et laissez-le refroidir pendant plusieurs minutes, avant de retirer le bouchon et d'ajouter du combustible.
- Ne remplissez jamais un réservoir de combustible à l'intérieur.
- Ne fumez pas durant un remplissage de combustible.

1. Nettoyez la surface autour du bouchon du réservoir de combustible, pour prévenir les contaminations. Référez à la Figure 7 pour l'emplacement du bouchon du réservoir de combustible.
2. Relâchez lentement le bouchon du réservoir de combustible pour le retirer.
3. Versez le combustible dans le réservoir. Prenez soin d'éviter les déversements.

⚠ AVERTISSEMENT

FAITES ATTENTION DE NE PAS TROP REMPLIR DE COMBUSTIBLE. Laissez un certain espace pour permettre l'expansion du combustible, due à la chaleur du moteur et/ou au soleil.

4. Avant de replacer le bouchon du réservoir de combustible, inspectez et nettoyez le joint du bouchon.
5. Remplacez le bouchon du réservoir de combustible et resserrez-le à la main.
6. Nettoyez tout déversement de combustible.



Fonctionnement

• Conservez ces directives

A Avant de démarrer le moteur

AVERTISSEMENT

Avant de démarrer le moteur, veuillez lire le manuel de l'utilisateur. Familiarisez-vous avec l'emplacement et le fonctionnement de tous les contrôles. Apprenez à arrêter le moteur rapidement.

Avant de procéder au démarrage du moteur, réviser les étapes suivantes :

1. L'unité a été assemblée selon toutes les directives d'assemblage.
2. L'unité a été inspectée pour détecter tout dommage ou pièces manquantes.
3. Il ne reste aucune pièce dans la boîte.
4. L'huile du moteur est au niveau approprié.
5. Le réservoir de combustible a été rempli d'essence régulière sans plomb, fraîche et propre.
6. Le câble de la bougie d'allumage est connecté à la bougie d'allumage.
7. La débroussailleuse a été déplacée à l'emplacement désiré.
8. La débroussailleuse se trouve sur une surface unie.

B Comment démarrer le moteur

AVERTISSEMENT

Des débris projetés de la débroussailleuse peuvent causer de sérieux dommages oculaires. Durant le fonctionnement, portez toujours des lunettes de sécurité conformes à ANSI ou des lunettes de sécurité avec protecteurs. Si vous portez des lunettes, portez un masque facial à champ de vision élargi certifié OSHA, par-dessus vos lunettes.

AVIS

Avant de démarrer la débroussailleuse, nettoyez les débris des orifices du couvercle de lanceur à rappel

1. Réviser TOUTES les étapes de la section « AVANT DE DÉMARRER LE MOTEUR ».
2. Enfoncez l'ampoule d'amorce et attendez 2 secondes entre chaque fois. (Voir Figure 8)

REMARQUE : Non requis en redémarrant un moteur chaud.

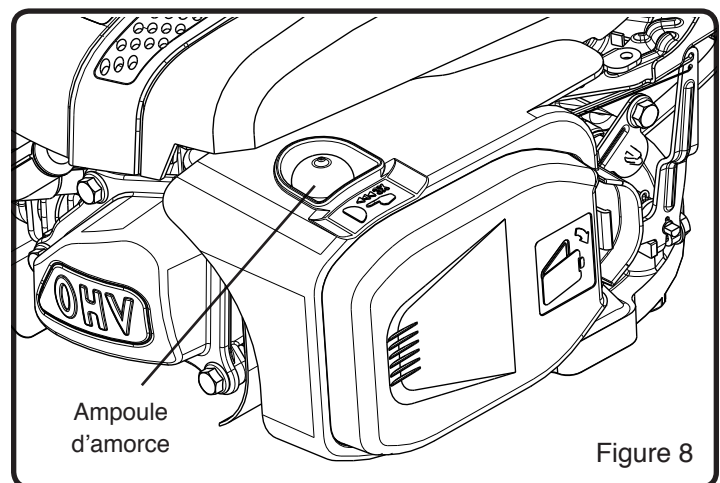
AVERTISSEMENT

Durant le fonctionnement maintenez à l'écart tous les spectateurs et tout spécialement les enfants.

IMPORTANT: Le système d'échappement du moteur de l'unité est équipé d'un silencieux avec pare-étincelles. Trafiquer ou retirer le pare-étincelles contrevient à la section 4442 du "California Public Resources Code", ainsi que d'autres lois fédérales et d'état applicables.

DANGER

Ne faites jamais fonctionner le moteur à l'intérieur ou dans un espace mal ventilé. Les gaz d'échappement contiennent du monoxyde de carbone, un gaz INODORE ET MORTEL.

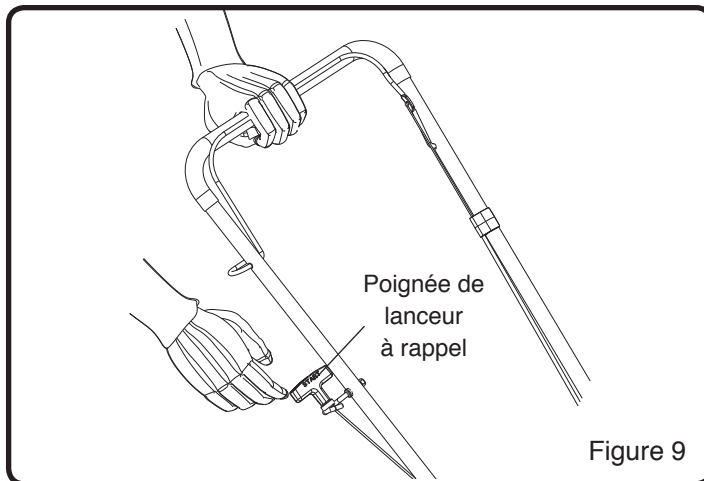


Fonctionnement (Suite)

• Conservez ces directives

B Comment faire démarrer le moteur

3. Empoignez fermement la poignée de la débroussailleuse de la main gauche, en engageant le levier du contrôle du moteur. (Voir Figure 9)
4. Empoignez fermement la poignée du lanceur à rappel de la main droite (Voir Figure 9)
5. Tirez lentement le lanceur à rappel, jusqu'à ce que vous sentiez une tension dans le cordon. Par la suite, tirez rapidement la poignée du lanceur à rappel, pour faire démarrer le moteur. Ne laissez PAS le cordon se rembobiner rapidement. Laissez le cordon de démarrage se rembobiner lentement, tout en maintenant la poignée du lanceur à rappel
6. Si le moteur ne démarre pas après avoir tiré 3 fois, enfoncez l'ampoule d'amorce deux fois et tirez à nouveau la poignée du lanceur à rappel.
7. Si le moteur ne démarre pas après 5 ou 6 essais de plus, consultez les directives dans le «Tableau de dépannage».



C Comment arrêter le moteur

1. Relâchez le levier de contrôle.

MISE EN GARDE

Le fil de coupe de la débroussailleuse continuera de tourner pendant plusieurs secondes, après avoir relâché le levier de contrôle. Usez de précaution.

AVERTISSEMENT

Maintenez les mains, pieds, cheveux et vêtements amples, à l'écart de toute pièce mobile. Évitez de toucher au silencieux et aux zones avoisinantes – les températures peuvent excéder 65°C / 150°F. Maintenez tous les dispositifs de sécurité et les protecteurs en place.

D Suggestions de coupe

AVERTISSEMENT

Des débris tels de morceaux de bois, gravillons et roches peuvent être projetés avec une force suffisante pour causer des blessures et des dommages matériels.

- Nettoyez fréquemment l'accumulation de débris et de gazon dans les orifices du couvercle du lanceur à rappel, sous la plate-forme de la tête de la débroussailleuse et autour du silencieux. Utiliser l'unité en présence de débris excessif peut provoquer un incendie. Soyez extrêmement prudents en utilisant la débroussailleuse durant des conditions climatiques sèches.
- Si les fils de coupe de la débroussailleuse deviennent trop courts, il en prendra plus de temps pour accomplir le travail. Si les fils de coupe sont usés à moins de la moitié de leur longueur originale, changez pour un nouveau jeu de fils. Consultez «Comment remplacer les fils de coupe» dans la section de l'entretien.
- N'utilisez pas l'unité de façon excessive sur les pentes abruptes. Consultez le «Guide pour pentes». S'il est difficile de se maintenir debout sur une pente, ne vous y aventurez pas. N'utilisez pas l'unité en présence d'un sol glissant ou mouillé. Utilisez l'unité parallèlement dans les pentes; jamais en montées et en descentes.
- Un contact entre la tête de la débroussailleuse et le ciment, asphalté et surfaces dures, peut provoquer une usure prématurée.
- Pour obtenir de meilleurs résultats et un fil de coupe plus durable, faites tremper le fil de coupe dans un seau d'eau pendant 24 heures avant l'usage. Un fil de coupe plus humide sera plus flexible qu'un fil de coupe sec et cassant.
- Laissez les extrémités du fil de coupe faire le travail. Ce résultat sera obtenu en bougeant lentement à travers les herbes épaisses et massives.

GUIDE POUR PENTES

ALIGNER ET MAINTENIR CE GUIDE DE NIVEAU AVEC UN ÉLÉMENT À LA VERTICAL, SOI : UN ARBRE, UN COIN DE STRUCTURE, UN POTEAU ELECTRIQUE OU UNE CLÔTURE.

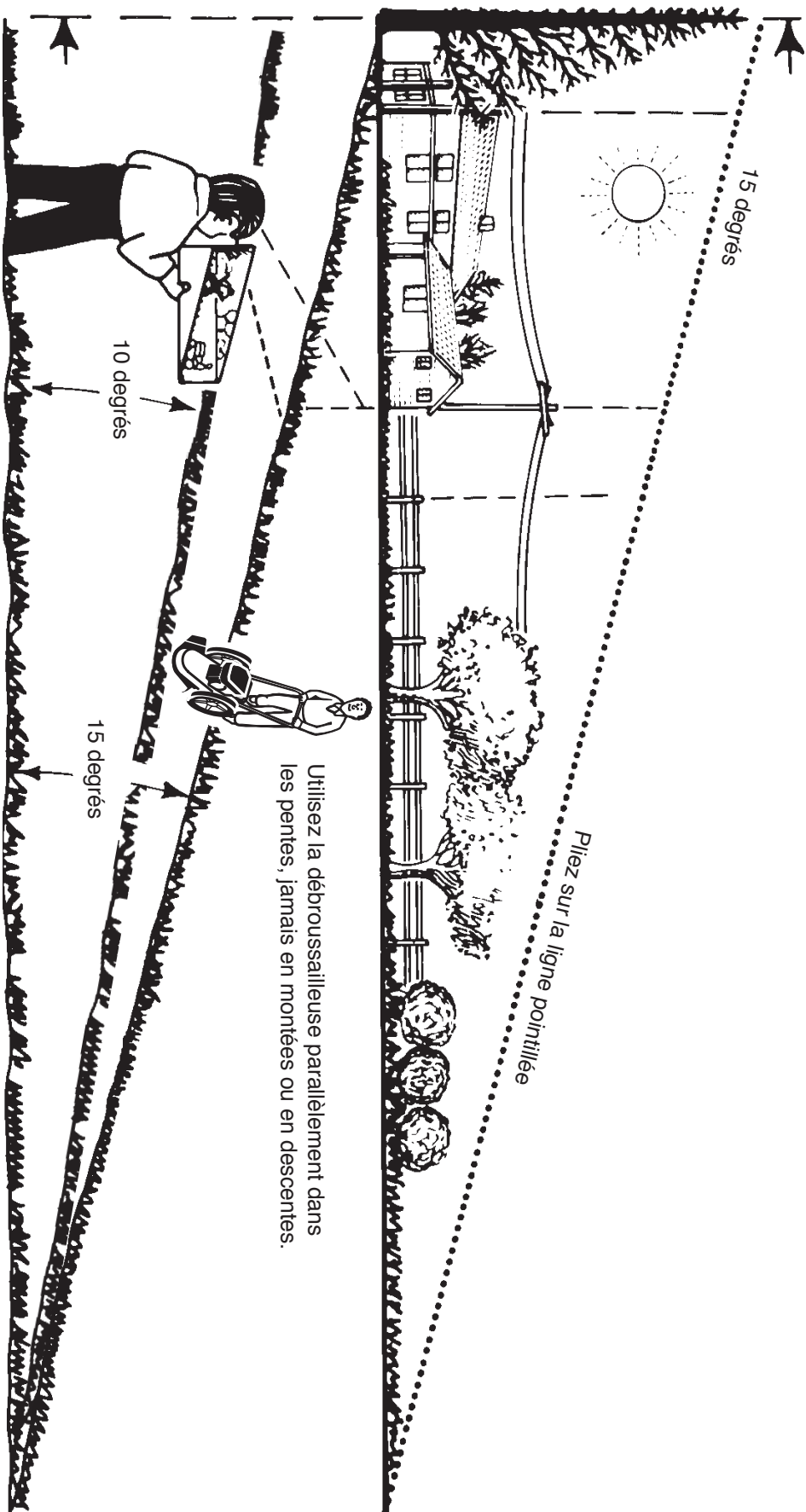
Utilisez la débroussailleuse parallèlement dans les pentes, jamais en montées ou en descentes, sur ou près de pentes ou d'obstructions.

Utilisez ce guide et ne coupez pas sur une pente excédant 15 degrés.

Une pente de 10 degrés est une pente qui augmente en hauteur à raison d'environ 51 cm sur 3 m / 1.7 pi sur 10 pi.

Une pente de 15 degrés est une pente qui augmente en hauteur à raison d'environ 76 cm sur 3 m / 1.7 pi sur 10 pi.

AVERTISSEMENT!
⚠
Tout temps, faites preuve d'un soin extrême et évitez les virages et manoeuvres brusques. Consultez et suivez d'autres directives dans ce manuel relativement à la sécurité d'usage dans les pentes. Utilisez la débroussailleuse parallèlement dans les pentes, jamais en montées ou en descentes. faites preuve d'un soin extrême à l'usage.



Entretien

• Conservez ces directives

⚠ AVERTISSEMENT

Avant de procéder à tout entretien arrêtez le moteur et débranchez le câble de la bougie d'allumage, pour prévenir les mises en marche involontaires et les blessures sérieuses.

IMPORTANT: La garantie touchant cette débroussailleuse ne couvre pas les articles soumis à un abus ou négligence de l'opérateur. Pour recevoir la pleine valeur de la garantie, l'opérateur doit maintenir la débroussailleuse tel que recommandé dans le manuel et n'utiliser que des pièces originales. Le tableau suivant établit l'entretien périodique requis.

HORAIRE D'ENTRETIEN PÉRIODIQUE

Enregistrement – Service Consignez les dates à mesure que le service est complété	Avant chaque usage	Après chaque période d'usage de 10 heures	Après chaque période d'usage de 25 heures	Après chaque période d'usage de 50 heures	Après chaque période d'usage de 100 heures	Avant chaque saison	Avant le rangement	Consultez les remarques plus bas
Vérifier le niveau d'huile du moteur, remplir au niveau approprié	✓					✓		
Vérifier les fils de coupe Remplacer au besoin	✓					✓		1
Nettoyer les débris de l'unité	✓					✓	✓	2
Vérifier le serrage des attaches		✓				✓		3
Vérifier le conduit de combustible Remplacer au besoin			✓			✓		
Lubrifier les pièces mobiles			✓			✓	✓	
Vérifier la bougie d'allumage Remplacer au besoin			✓			✓		
Vérifier la courroie d'entraînement Remplacer au besoin			✓			✓		
Nettoyer le filtre à air, remplacer si très sale		✓				✓		4
Changer l'huile du moteur				✓		✓	✓	5, 6
Remplacer la bougie d'allumage					✓			
Nettoyer les dépôts de combustion du cylindre, piston et soupape					✓			

⚠ MISE EN GARDE

REMARQUES IMPORTANTES au sujet de l'horaire d'entretien

1. Changez le fils de coupe lorsqu'ils sont à la moitié de leur longueur originale.
2. Nettoyez fréquemment le gazon de :
 - a. orifices du couvercle du lanceur à rappel
 - b. sous la plate-forme de la tête la débroussailleuse
 - c. Autour du silencieux
3. Revérifiez le serrage des attaches, après les 2 premières heures de l'usage initial.

4. Nettoyez le filtre à air à chaque période de 10 heures. Nettoyez plus souvent si le travail s'effectue dans des conditions plus poussiéreuses.
5. Changez l'huile du moteur après les 5-8 premières heures de l'usage initial.
6. Changez l'huile à chaque 25 heures, si le travail s'effectue dans des conditions de travail intense ou sous de hautes températures.

⚠ AVERTISSEMENT

N'utilisez que des pièces de remplacement ORIGINALES. D'autres pièces pourraient endommager l'unité et causer des blessures.

Entretien (Suite)

• Conservez ces directives

Comment changer l'huile

REMARQUE : Référez à la Figure 7 en suivant les étapes suivantes

1. Arrêtez le moteur et laissez-le refroidir.
2. Débranchez le câble de la bougie d'allumage.
3. Retirez la jauge graduée. (Voir Figure 7)
4. Penchez le moteur et laissez toute l'huile drainer dans le récipient de collection.

IMPORTANT: L'huile souillée est un déchet dangereux. Placez l'huile dans un récipient scellé et confiez-le à votre centre local de recyclage. Ne le jetez pas dans les ordures ménagères.

5. Pour remplir le moteur d'huile, consultez la section de préparation du moteur « Comment vérifier le niveau d'huile et remplir au niveau approprié »

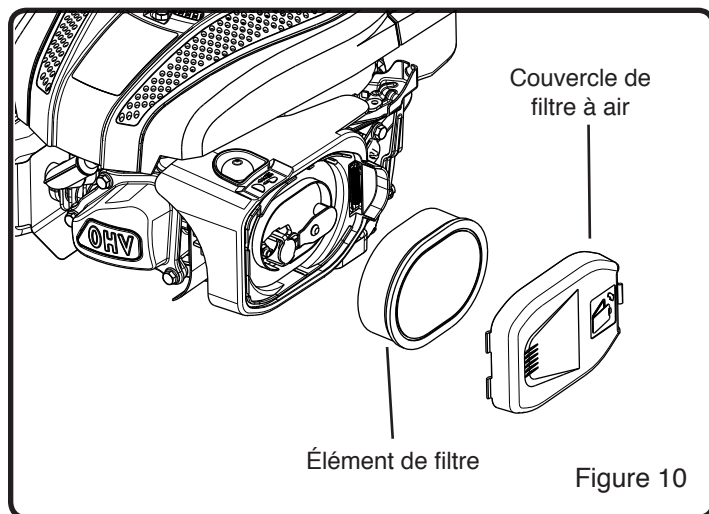
Comment changer le filtre à air

Un filtre à air souillé empêchera une admission d'air adéquate. Un entretien périodique du filtre à air améliorera le rendement du moteur et réduira les émissions.

⚠ AVERTISSEMENT

Ne nettoyez jamais le filtre à air à l'aide d'essence ou d'un dissolvant facilement inflammable; une telle situation pourrait créer un danger d'incendie.

1. Retirez le couvercle du filtre à air et retirez avec soin l'élément du filtre. (Voir Figure 10)
2. Nettoyez toutes les pièces. Nettoyez l'élément en le cognant légèrement sur une surface unie. Remplacez-le s'il est vraiment très souillé.
3. Réinstallez l'élément du filtre et le couvercle du filtre à air.



Entretien (Suite)

• Conservez ces directives

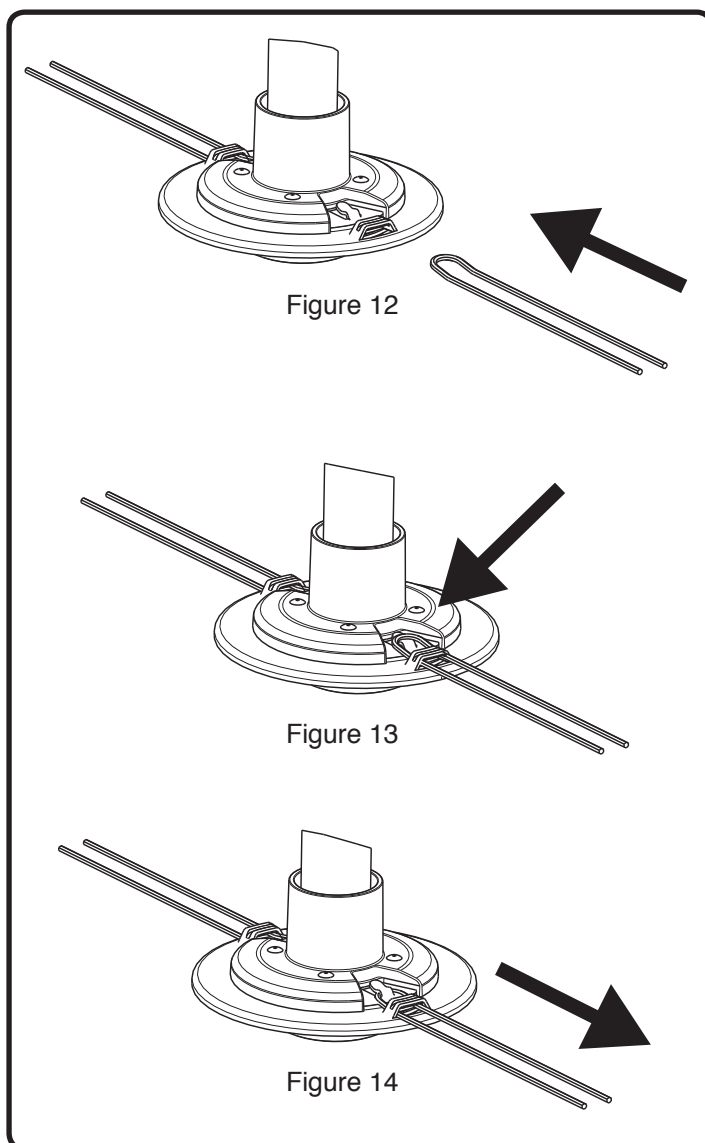
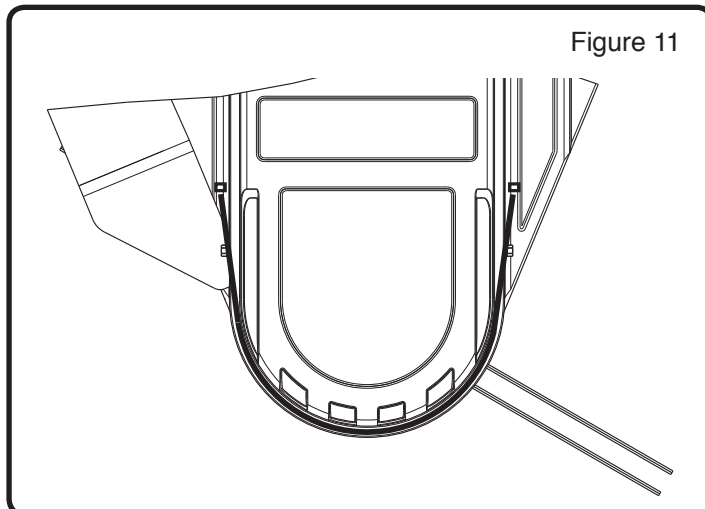
Comment remplacer les fils de coupe de débroussailluse

Si le fil de coupe est usé à moins de la moitié de sa longueur originale, changez le fil de coupe. Pour obtenir un meilleur rendement, utilisez un fil robuste de 4 mm [0.155 po].

1. Arrêtez le moteur. Attendez que toutes les pièces mobiles s'arrêtent. Débranchez le câble de la bougie d'allumage.
2. Retirez le fil de coupe usé de la fixation.
3. Coupez la longueur du fil à 54,6 cm [21.5 po]. Utilisez le guide de longueur situé sur le protecteur, pour vous assurer que le fil de coupe est de la bonne longueur.
(Voir Figure 11)

REMARQUE : Assurez-vous que la longueur des fils de coupe ne varie pas plus que de 2,5 cm (1 po). Assurez-vous que la tête de la débroussailluse est balancée et qu'elle ne vibre pas.

IMPORTANT : Pour prolonger la durée de vie du fil de coupe, conservez-le humide. S'il n'est pas conservé humide, le fil de coupe en nylon deviendra sec et cassant. Conservez un fil de coupe additionnel dans un récipient d'eau. Le fil de coupe demeurera flexible et facile à changer. Un fil de coupe flexible durera beaucoup plus longtemps.



Entretien (Suite)

• Conservez ces directives

Comment changer la bougie d'allumage

Modèle de bougie d'allumage : Torch K7RTC

⚠ MISE EN GARDE

Utilisez uniquement la bougie d'allumage recommandée ou une bougie d'allumage possédant la même gamme de températures. L'usage d'une bougie d'allumage inappropriée, un écartement d'électrode incorrect ou une bougie d'allumage souillée / encrassée peut réduire le rendement du moteur et causer des dommages.

1. Arrêtez le moteur et laissez-le refroidir.
2. Débranchez le câble de la bougie d'allumage.
3. Retirez la bougie d'allumage, à l'aide d'une clé à douille profonde de 16mm (5/8 po).
4. Inspectez visuellement la bougie d'allumage pour détecter la présence de fendillement ou de dommages. Si elle est fendillée, remplacez-la.
5. Nettoyez les dépôts de carbone. S'il y a une accumulation excessive de carbone, remplacez la bougie d'allumage.
6. Vérifiez que l'écartement de la bougie d'allumage mesure 0.24-0.031 in. (0.6-0.8 mm). (Figure 15)
7. Insérez à nouveau la bougie d'allumage et resserrez à 16 Nm (12 pi-lb).
8. Rebranchez le câble de la bougie d'allumage.

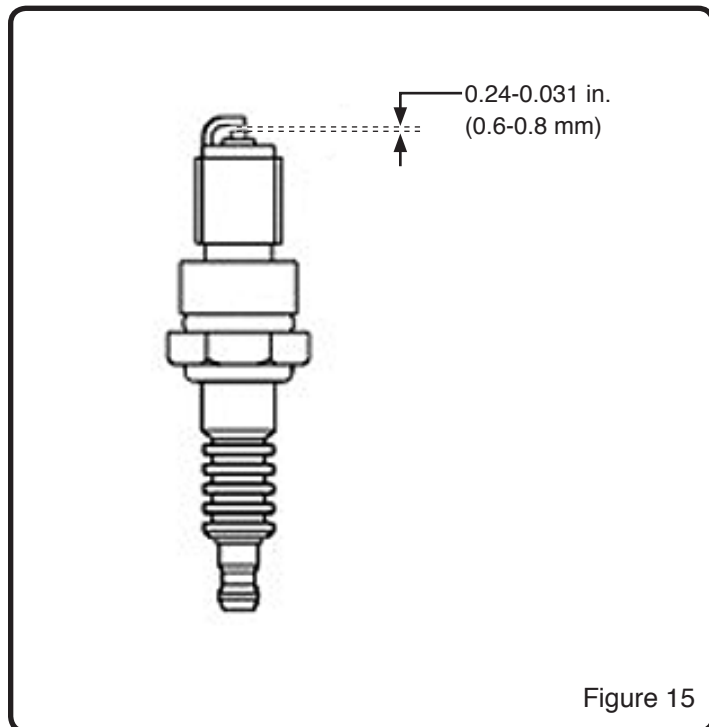


Figure 15

Entretien (Suite)

• Conservez ces directives

Comment remplacer la courroie d'entraînement

⚠ AVERTISSEMENT

Avant de retirer la courroie d'entraînement, débranchez le câble de la bougie d'allumage.

1. Retirez les quatre attaches maintenant le protecteur en plastique de la courroie, au boîtier de la débroussaille use. (Voir Figure 16)
2. Retirez le protecteur en plastique de la courroie.
3. Retirez l'écrou à embase et la rondelle maintenant en place la poulie de propulsion avant sur la tête de la débroussailleuse. (Voir Figure 16)
4. Tirez directement vers le haut sur la poulie de propulsion avant pour la retirer de l'arbre de la tête porte-broche.
5. Retirez l'écrou à embase maintenant en place la poulie de tension au support de la poulie de tension. (Voir Figure 17)
6. Retirez la courroie d'entraînement de l'unité.

IMPORTANT : Utilisez uniquement une courroie d'entraînement du fabricant. Pour commander des pièces de remplacement, contactez le 1-800-737-2112.

7. Pour assembler la courroie d'entraînement, inversez les étapes précédentes.
8. Les spécifications de couple sont les suivantes :
 - 5.7-8.0 Nm [50-70 po-lb] pour le protecteur de courroie,
 - 36.6-44.7 Nm [27-33 pi-lb] pour l'écrou de montage de la poulie de propulsion.
9. Vérifiez la direction de la courroie d'entraînement. Assurez-vous que la courroie d'entraînement est située à l'intérieur de tous les guides de courroie et que la courroie n'est pas tordue. (Voir Figure 17)

IMPORTANT : Testez le système d'entraînement. Démarrez le moteur et assurez-vous que la tête porte-broche tourne librement.

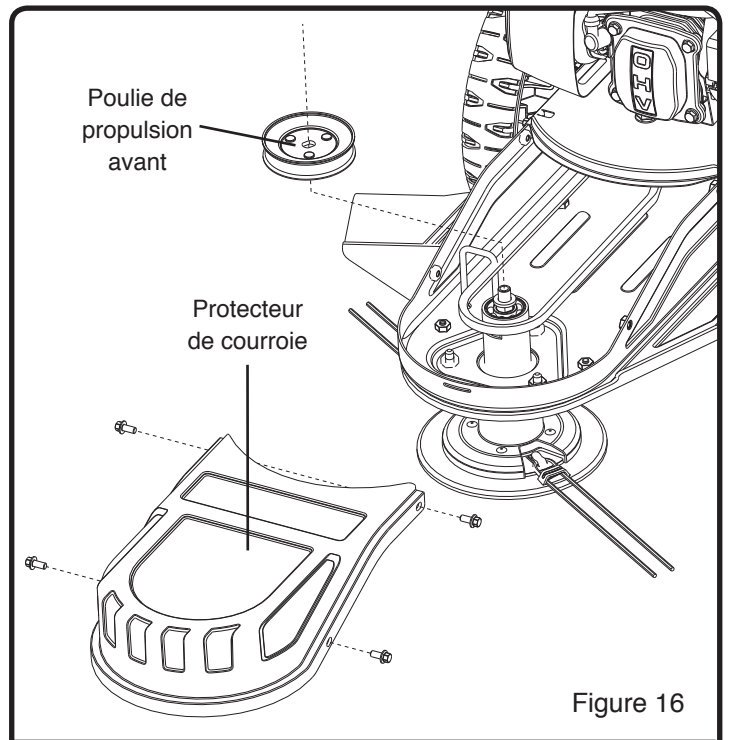


Figure 16

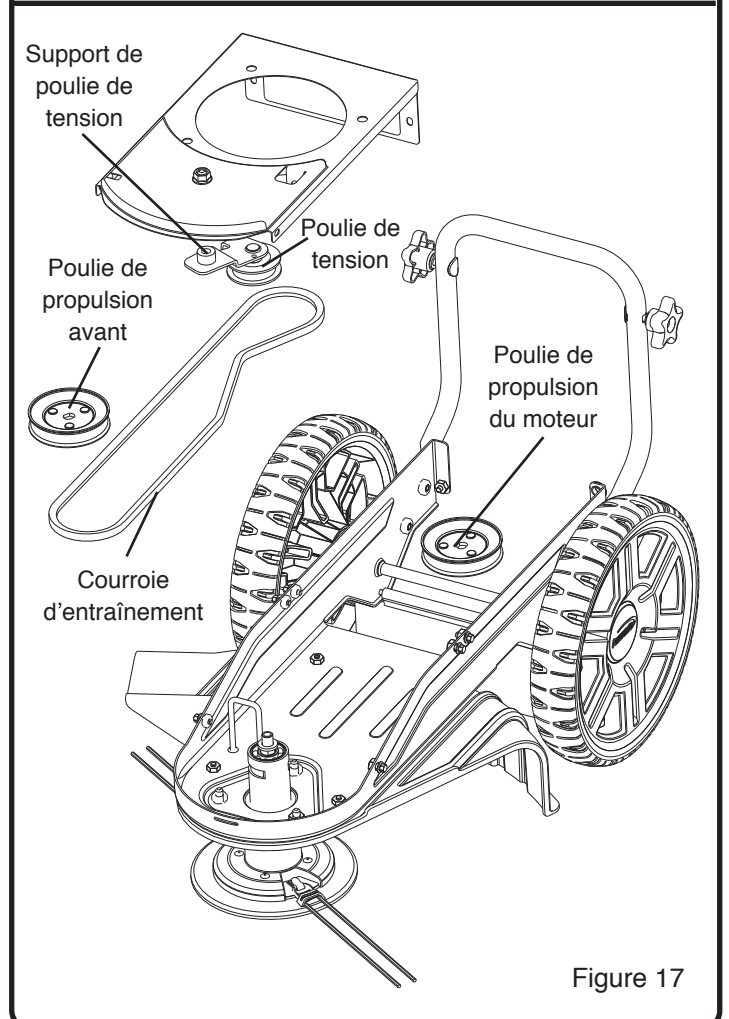


Figure 17

Entretien (suite)

• Conservez ces directives

Comment se préparer pour le rangement

⚠ AVERTISSEMENT

Ne rangez jamais la débroussailleuse à l'intérieur avec du combustible dans le réservoir. Ne la rangez jamais dans un espace fermé et mal ventilé, où les vapeurs pourraient rejoindre une flamme nue, une étincelle ou une flamme pilote d'une fournaise, chauffe-eau ou sècheuse. Laissez le moteur refroidir avant de ranger l'unité.

Ne retirez pas d'essence lorsque vous êtes dans un édifice, près d'un feu ou pendant que vous fumez. Les vapeurs d'essence peuvent causer une explosion ou un incendie.

REMARQUE : Une vérification ou une mise au point annuelle auprès d'un centre de service autorisé vous assurera que la débroussailleuse vous offrira un rendement maximum pour la saison prochaine.

Lorsque la débroussailleuse est rangée pour trente jours ou plus, les étapes suivantes devraient être suivies, pour vous assurer que la débroussailleuse est en bonne condition pour la saison suivante. Pour éviter les dépôts de gomme d'essence et de corrosion dans le carburateur et le système d'alimentation de l'unité, il est fortement recommandé d'utiliser un additif de carburant/stabilisateur conçu pour les carburants à l'éthanol. Suivre les directives du fabricant du stabilisateur. Faites fonctionner le moteur pendant au moins 5 minutes après l'ajout du stabilisateur.

1. Laissez le moteur rouler jusqu'à ce qu'il soit à bout d'essence. Enlevez la vis de la cuve du carburateur et du drainage du carburant. Inclinez légèrement l'unité et retirez tout le carburant. Remettez les vis en place.
2. Changez l'huile en suivant les directives dans la section «Comment changer l'huile à moteur».
3. Retirez la bougie d'allumage du cylindre. Versez 30 ml (1 oz liq. US) d'huile dans le cylindre. Lentement, tirez la poignée du lanceur à rappel, de façon à ce que l'huile protège le cylindre. Installez la bougie d'allumage dans le cylindre. Lentement, tirez la poignée du lanceur à rappel, jusqu'à ce qu'une pression soit ressentie. Cette procédure fermera les soupapes du cylindre. Ne fixez PAS le câble de la bougie d'allumage, lorsque vous rangez l'unité.

⚠ AVERTISSEMENT

Ne fixez PAS le câble de la bougie d'allumage, lorsque vous rangez l'unité.

4. Nettoyez la débroussailleuse. Retirez toute la saleté, feuilles, débris, graisse, etc. de l'unité – incluant les ailettes de refroidissement de cylindre, les orifices du couvercle du lanceur à rappel, sous le réservoir de combustible et sous le silencieux.
5. Vérifiez la débroussailleuse pour détecter la présence de pièces usées ou endommagées. Au besoin, remplacez les pièces endommagées.
6. Resserrez toute fixation desserrée.
7. Appliquez la lubrification, tel que recommandé dans la section d'entretien.
8. Placez l'unité dans un édifice possédant une ventilation adéquate.

Service technique

Vous pourriez avoir d'autres questions au sujet de l'assemblage, du fonctionnement ou de l'entretien de cette débroussailleuse. Si tel est le cas, veuillez contacter notre département de service technique au 1-800-737-2112 (Anglais seulement). Vous pouvez également nous écrire :

METL - CORRESPONDANCE SEULEMENT

ATT'N: Service technique– METL

6700 Wildlife Way

Long Grove, IL 60047

En contactant le département de service technique, ayez en main :

- Votre nom
- Votre adresse
- Votre numéro de téléphone



- Numéro de modèle du produit
 - Date de l'achat
- (inclure une copie de votre reçu pour les demandes écrites)
- Code de date sur l'unité

Dépannage

• Conservez ces directives

PROBLÈME	CAUSE(S) POSSIBLE(S)	SOLUTION(S)
Moteur difficile à démarrer	<ol style="list-style-type: none"> 1. À court de combustible 2. Moteur non amorcé 3. Moteur noyé 4. Câble de bougie d'allumage débranché 5. Câble ou levier du contrôle des gaz défectueux 6. Bougie d'allumage encrassée 7. Filtre à air bloqué 8. Carburateur souillé 9. Combustible contaminé 	<ol style="list-style-type: none"> 1. Ajoutez combustible frais. 2. Enfoncez l'ampoule d'amorce 3 fois et attendez 2 secondes entre chaque fois 3. Attendez quelques minutes avant de démarrer. 4. Branchez le câble de bougie d'allumage à la bougie d'allumage. 5. Inspectez levier et câble. Remplacez au besoin. 6. Retirez la bougie d'allumage. Inspectez-la. Remplacez-la au besoin. 7. Retirez et nettoyez le filtre à air. 8. Apportez l'unité à un centre de service autorisé pour un nettoyage du carburateur. 9. Drainez le réservoir de combustible. Nettoyez le réservoir de combustible. Remplissez de combustible frais.
<p><u>Problèmes de moteur</u> Moteur émet une fumée excessive Moteur roule de façon très irrégulière Moteur a des ratés Moteur ne peut maintenir sa pleine vitesse</p>	<ol style="list-style-type: none"> 1. Sand huile de moteur 2. Huile de moteur – niveau inapproprié 3. Bougie d'allumage encrassée 4. Filtre à air bloqué 5. Carburateur en besoin de réglage 6. Combustible contaminé 	<ol style="list-style-type: none"> 1. Ajoutez de l'huile à moteur. 2. Vérifiez l'huile à moteur. Ajoutez ou drainez l'huile à moteur au besoin. 3. Retirez la bougie d'allumage. Inspectez-la. Remplacez-la au besoin. 4. Retirez et nettoyez le filtre à air. 5. Apportez l'unité à un centre de service autorisé pour un nettoyage du carburateur. 6. Drainez le réservoir de combustible. Nettoyez le réservoir de combustible. Remplissez de combustible frais.
Vibration / bruit excessif	<ol style="list-style-type: none"> 1. Pièces desserrées 2. Fils de coupe – longueur inégale 3. Problèmes de moteur (haut) 	<ol style="list-style-type: none"> 1. Resserrez toutes les attaches. 2. Remplacez par des fils de coupe de même longueur. 3. Référez aux problèmes de moteur(haut).
Moteur surchauffe	<ol style="list-style-type: none"> 1. Système de refroidissement bloqué 2. Problèmes de moteur (haut) 	<ol style="list-style-type: none"> 1. Retirez les débris du couvercle du lanceur à rappel et des ailettes de refroidissement. 2. Référez aux problèmes de moteur(haut).
Moteur ne s'arrête pas	Câble ou levier du contrôle défectueux	Inspectez le levier et le câble. Remplacez au besoin.
Pauvre rendement de coupe	<ol style="list-style-type: none"> 1. Fils de coupe – trop courts 2. Problèmes de moteur (haut) 	<ol style="list-style-type: none"> 1. Remplacez le fils de coupe à la longueur appropriée 55,8 cm (22 po). 2. Référez aux problèmes de moteur(haut).
Tête de débroussailleuse ne maintient pas le fil de coupe	<ol style="list-style-type: none"> 1. Fils de coupe - incorrectement fixés 2. Fils de coupe – fixation brisée 3. Fils de coupe – taille incorrecte 4. Fils de coupe – trop cassants 	<ol style="list-style-type: none"> 1. Pour fixer le fil de coupe, référez aux directives dans la section de l'entretien. 2. Remplacez l'ensemble de la tête de la débroussailleuse. 3. Utilisez un fil de coupe de 4 mm [0.155 po]. 4. Utilisez un fil de coupe qui a trempé dans l'eau.

Garantie

• Conservez ces directives

A Garantie limitée pour DÉBROUSSAILLEUSE Southland®

Spécifiez toujours le numéro de modèle en contactant l'usine.

Nous nous réservons le droit de modifier ces spécifications en tout temps sans préavis. La seule garantie applicable est notre garantie régulière écrite. Nous n'offrons aucune autre garantie, expresse ou implicite. MAT Engine Technologies, LLC garantit que cette débroussailleuse et toute autre pièce constituante sera libre de tout défaut relatif aux matériaux et à la main-d'œuvre, pendant une période de deux ans (90 jours pour un usage commercial), à partir de la date du premier achat auprès d'un concessionnaire autorisé, à condition que le produit ait été entretenu et opéré adéquatement, selon les directives applicables. Cette garantie est accordée seulement à l'acheteur original au détail. Le contrat de vente ou la preuve d'achat doit être présentée au moment où une réclamation est faite au titre de la garantie. Cette garantie ne couvre pas un usage industriel ou de location; elle ne couvre pas non plus les pièces qui ne sont pas dans leur condition originale, due à l'usure normale ou des pièces qui sont défectueuses ou qui deviennent endommagées, suite à un mauvais usage, accident, manque d'entretien approprié, modification ou altération. Des exceptions en regard de la période régulière de garantie touchent l'usure normale de certains articles, tels : lames de coupe, têtes équipées de fils de coupe, lames de tarières, filtres à air et bougies d'allumage ; ces articles ne sont couverts que pour une période de 60 jours contre tout défaut relatif aux matériaux et à la main-d'œuvre. Les frais de déplacement, manutention, transport et autres frais additionnels associés aux réparations sous garantie ne sont pas remboursables sous cette garantie et demeurent la responsabilité du propriétaire. Dans la mesure autorisée par la loi de la juridiction régissant la vente de ce produit, cette garantie expresse exclut toutes les autres garanties expresses et limite la durée de toutes les garanties implicites, incluant les garanties de qualité marchande ou d'adaptation à un usage particulier à une période de deux ans, à partir de la date du premier achat et MAT Engine Technologies, LLC ne sera en aucun cas tenu responsable de quelque dommage que ce soit, incluant les dommages indirects, accessoires ou consécutifs. Certains états / provinces ne permettent la limitation de la durée d'une garantie implicite ou l'exclusion des dommages accessoires ou consécutifs ; ainsi les limitations ci-haut mentionnées pourraient ne pas s'appliquer envers vous. Cette garantie confère à l'acheteur original des droits juridiques spécifiques.

Pour obtenir plus d'information au sujet de ces droits, veuillez consulter les lois applicables selon l'état / province.

METL - CORRESPONDANCE SEULEMENT

ATT'N: Service technique- METL

6700 Wildlife Way

Long Grove, IL 60047

La garantie du système de contrôle des émissions est fournie par le fabricant du moteur et est incluse avec ce produit et administrée par MAT Engine Technologies, LLC.

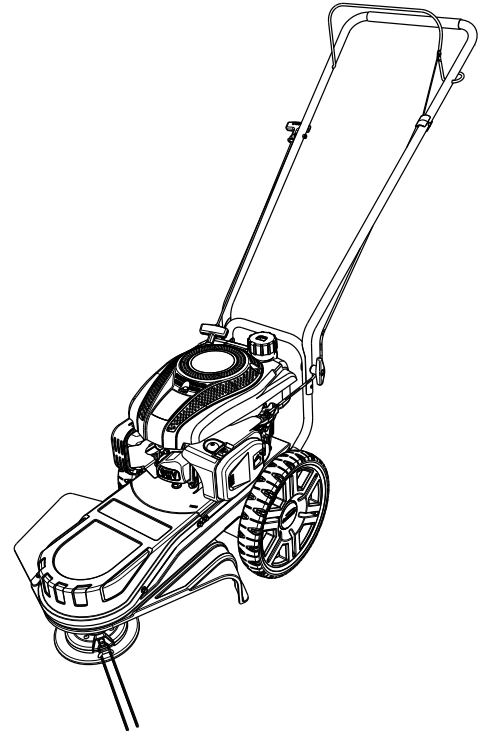
**SI VOUS AVEZ DES QUESTIONS AU SUJET DE LA
COUVERTURE DE VOTRE GARANTIE, VOUS DEVRIEZ
CONTACTER LE SERVICE A LA CLIENTELE DE METL**



**Si vous avez besoin d'assistance ou si vous
avez des questions, APPELER SANS FRAIS :
1-800-737-2112.**

Adentro encontrará:

	Página
Instrucciones de seguridad	1
Instrucciones de seguridad importantes	2-4
Etiquetas de seguridad	5
Especificaciones	6
Características	6
Montaje	7-8
Preparación del motor	9-10
Uso	11-12
Guía sobre pendientes	13
Mantenimiento	14-19
Servicio Técnico	19
Diagnóstico y resolución de problemas	20
Garantía	21

**IMPORTANTE:**

Le agradecemos haber comprado la segadora de hilo para campo Southland®. Este manual le ofrece las instrucciones completas para operar y mantener seguramente la segadora. Lea y conserve estas instrucciones. Refiérase a este manual cada vez, antes de utilizar la segadora.

Anote lo siguiente como referencia:

Código de fecha de fabricación: _____

Fecha de compra: adjunte una copia de su recibo de compra.

Número gratuito de asistencia al consumidor: 1-800-737-2112

Consúltese el sitio web para obtener una copia electrónica del manual y el catálogo de piezas.
www.southlandpowerequipment.com

ADVERTENCIA: CONTIENE PLOMO. Puede ser dañino si se ingiere o se mastica. Puede generar polvo que contenga plomo. Lávese las manos después del uso. Mantener fuera del alcance de los niños.

⚠ ADVERTENCIA: Este producto le podría exponer a productos químicos incluyendo plomo, reconocido por el Estado de California como causante de cáncer y defectos de nacimiento u otros daños del sistema reproductivo. Para obtener más información, visite www.P65Warnings.ca.gov.



Si tiene una duda o un problema...




LLAME SIN COSTO AL: 1-800-737-2112

CONSERVE ESTE MANUAL COMO REFERENCIA

Definiciones de seguridad • Guardar estas instrucciones












Símbolos de alerta para seguridad

Los símbolos siguientes se utilizan en el producto y en este manual para alertar al usuario sobre riesgos potenciales de seguridad. Leerlos detenidamente y entender su significado.







 PELIGRO	Indica una situación de riesgo inminente que, al no protegerse, provocará lesiones graves o la muerte.
 ADVERTENCIA	Indica una situación potencialmente peligrosa que, al no protegerse, podría provocar lesiones graves o la muerte.
 CUIDADO	Indica una situación potencialmente peligrosa que, de no evitarse, podría causar lesiones leves.
AVISO	Indica una práctica no relacionada con lesiones personales que, si no se evita, puede causar daños a la propiedad.

Los símbolos siguientes pueden referirse a la seguridad y pueden encontrarse sobre la segadora de hilo. Leerlos cuidadosamente y comprender su significado.

Símbolos de advertencia para seguridad

	Busque este símbolo sobre las precauciones de seguridad importantes respecto a riesgos de lesiones personales. Significa: ¡Atención! ¡Esté alerta! Su seguridad está en juego.		Usar protección ocular que cumpla con la norma ANSI Z87.1.
	Leer el Manual del usuario antes de utilizar esta máquina. El no acatar las directrices podría conducir a lesiones graves.		Desconectar el cable de la bujía al no estar en uso o antes de reparar, limpiar o dar mantenimiento a la unidad.
	Objetos lanzados. Retirar toda roca, piedra y objeto extraño que pudiera ser lanzado por la máquina.		El motor produce monóxido de carbono, un gas tóxico, inodoro y mortal. Nunca haga funcionar el motor bajo techo o en una zona mal ventilada.
	Mantener a los circunstantes a una distancia segura (15 m / 50 pies). JAMÁS usar la máquina ante la presencia de niños.		NO tocar el silenciador caliente ni el cilindro. Estas piezas están extremadamente calientes durante el funcionamiento y podrían permanecer calientes durante un período de tiempo corto después del funcionamiento.
	NO segar pendientes en la dirección de las mismas. Segar transversalmente a la pendiente.		Para reducir el riesgo de incendio, limpiar el combustible y aceite derramados y mantener la unidad libre de residuos. La gasolina es extremadamente inflamable. Dejar enfriar la unidad durante un mínimo de 2 minutos antes de reabastecer.
	Las piezas rotativas pueden causar lesiones graves. Mantener alejados las manos y los pies.		

Símbolos de control y funcionamiento

	Ubicación para llenado de aceite. No sobrellenar		Ubicación para llenado de gasolina.
	Poner en marcha la unidad		Parar la unidad
	Para Motor		Oprimir el bulbo del cebador 3 veces antes de arrancar un motor frío. Importante: no cebar para arrancar un motor caliente.

Instrucciones de seguridad importantes

- Conserve todas las instrucciones

RESPONSABILIDAD DEL DUEÑO

1. Leer detenidamente y seguir estas instrucciones de seguridad. Hacer caso omiso de éstas puede conducir a lesiones graves.
2. Conózcase el producto. Leer y entender este manual antes de utilizar la unidad. Comparar las ilustraciones con la unidad. Aprenderse la ubicación y la función de todos los controles. Un entendimiento exhaustivo de la unidad antes de utilizarla redundará en rendimiento y seguridad óptimos.
3. Seguir todas las instrucciones al montar la unidad. Si se compró la unidad ya montada, el usuario ha de revisar la unidad cuidadosamente para asegurarse de que se montó de conformidad con las instrucciones en el manual antes de utilizarla.
4. Inspeccionar la segadora periódicamente. Verificar que no haya piezas dobladas, dañadas o flojas.
5. Utilizar este equipo únicamente para su uso previsto.
6. Utilizar la unidad solo con protectores, pantallas y otros elementos de seguridad instalados y en buenas condiciones.
7. Dar mantenimiento a la unidad solo con piezas de repuesto autorizadas o aprobadas.
8. Completar la totalidad del mantenimiento de la unidad.

⚠ ADVERTENCIA

Para evitar el arranque accidental al montar, transportar, ajustar o efectuar reparaciones, siempre desconectar el cable de la bujía y colocarlo donde no pueda entrar en contacto con ésta.

SEGURIDAD DURANTE LA PREPARACIÓN

⚠ ADVERTENCIA

- Leer, entender y acatar todas las instrucciones en la máquina y en los manuales. Familiarizarse completamente con los controles y el uso apropiado de la segadora antes del arranque. Sépase cómo parar el motor rápidamente.
- Familiarizarse con todos los marbetes de seguridad y funcionamiento de este equipo.
- Inspeccionar completamente el área en que se va a utilizar la segadora y retirar todo objeto extraño. Esta segadora puede lanzar objetos pequeños a gran velocidad y causar lesiones personales o daños a la propiedad. Mantenerse alejado de objetos frágiles, tales como ventanas de viviendas, parabrisas de automóviles, invernaderos, etc.
- Verificar que la barra de control de arranque funciona correctamente. Asegurarse de que el cable esté libre y que la barra de control de arranque no esté dañada.
- Verificar que todas las tuercas y pernos estén apretados y que el equipo esté en buenas condiciones. Verificar los herrajes de montaje en el cabezal de la segadora cada vez que se cambie el hilo de la misma, antes de cada uso.

SEGURIDAD DURANTE EL USO

- Jamás permitir que niños o adolescentes jóvenes utilicen la segadora.

⚠ ADVERTENCIA

- Mantener el área de trabajo libre de circunstantes, particularmente niños pequeños y mascotas.
- Permitir solo a individuos responsables, familiarizados con las instrucciones, utilizar la segadora.
- No utilizar la segadora bajo la influencia de alcohol, fármacos u otro medicamento que pudiera causar somnolencia o afectar la capacidad de utilizar la máquina de manera segura.
- No utilizar esta máquina si se es mental o físicamente incapaz de utilizarla de manera segura.
- Al utilizar la segadora, siempre usar gafas de seguridad con pantallas laterales, homologadas por ANSI, para protegerse los ojos contra objetos extraños que pudieran ser lanzados por la unidad.
- Vestir indumentaria apropiada tal como una casquillo o chaqueta de manga larga. También, vestir pantalones largos. NO vestir pantalones cortos. NO vestir indumentaria holgada que pudiera atorarse en este equipo.
- Siempre vestir guantes de trabajo y calzado robusto tal como zapatos de cuero para trabajo o botas cortas. Éstos protegen los tobillos y la tibia contra palos pequeños, astillas y otros despojos lanzados. Asimismo, éstos mejoran la tracción.
- Es aconsejable vestir indumentaria para proteger la cabeza contra golpes de partículas pequeñas lanzadas, o contra golpes de ramas bajas, ramitas u otros objetos que pudieran pasar desapercibidos por el usuario.

⚠ ADVERTENCIA

- No colocar ni las manos ni los pies cerca de piezas rotativas o debajo de las mismas.

Instrucciones de seguridad importantes *(la siguiente)*

• Conserve todas las instrucciones

- Al cruzar entradas, senderos o caminos de grava, parar la unidad y esperar a que la rotación de los hilos pare. Tener extremo cuidado. Mantener alerta para peligros ocultos o tráfico
- Tener cuidado para no deslizarse o caerse. Jamás utilizar la segadora en césped húmedo. Siempre asegurar el apoyo de los pies; mantener una sujeción firme del asidero y caminar; jamás correr.
- Mirar hacia atrás y tener cuidado al retroceder.
- Jamás utilizar la segadora sin buena visibilidad o luz.

⚠ PELIGRO

- No poner en marcha el motor en espacios interiores o dentro de un área cerrada. Los gases del escape son peligrosos, contienen MONÓXIDO DE CARBONO, un GAS INODORO Y LETAL.
- Si la segadora comenzara a vibrar anormalmente, parar el motor, desconectar el cable de la bujía y evitar que éste haga contacto con la bujía. Tratar de identificar la causa inmediatamente. Generalmente, la vibración indica problemas.
- Tener cuidado con agujeros, zurcos, abultamientos u otro terreno escabroso. El pasto alto puede ocultar obstáculos.

⚠ ADVERTENCIA

- Limpiar frecuentemente la acumulación de despojos y césped de los agujeros de la cubierta del arrancador de retroceso, bajo la cubierta en el área del cabezal de la segadora y alrededor del silenciador. El uso de la unidad con despojos excesivos conlleva el riesgo de incendio. Siempre tener sumo cuidado al usar la segadora durante condiciones secas.
- No segar excesivamente las pendientes pronunciadas (15 grados, máximo). Consultar la “Guía para pendientes” al dorso de este manual para verificar una pendiente.
- Siempre segar a través de la pendiente; jamás hacia arriba y hacia abajo. Tener sumo cuidado al cambiar de dirección en pendientes. Si se está inseguro en una pendiente, NO segarla.
- NO segar cerca de desniveles pronunciados, zanjas o terraplenes. El usuario podría perder el apoyo o equilibrio.

SEGURIDAD DEL COMBUSTIBLE

⚠ ADVERTENCIA

- La gasolina es extremadamente inflamable y los vapores pueden explotar si se inflaman. Manipularla con cuidado.
- Utilizar un contenedor aprobado.
- Revisar el suministro de combustible antes de cada uso, dejar espacio para expansión puesto que el calor del motor y/o el sol puede(n) causar la expansión del combustible.
- Llenar el tanque de combustible al aire libre, con sumo cuidado. Jamás llenar el tanque de combustible en espacios interiores.
- Jamás retirar la tapa del combustible ni abastecer combustible con el motor en marcha. Dejar que el motor enfríe antes de reabastecerlo de combustible.
- No fumar mientras se reabastece combustible.
- Después del reabastecimiento de combustible, colocar nuevamente la tapa del tanque de combustible de manera segura y enjugar el combustible derramado.
- Jamás almacenar combustible o la bordeadora con combustible en el tanque dentro de un edificio donde los vapores podrían llegar a una llama abierta.

Instrucciones de seguridad importantes (la siguiente)

- **Conserve todas las instrucciones**

SEGURIDAD DE ALMACENAMIENTO

- Siempre consultar las instrucciones del Manual del usuario para obtener información importante pormenorizada si se va a guardar la segadora durante un período de tiempo prolongado.
- Jamás almacenar la segadora con combustible en el tanque dentro de un edificio donde haya fuentes de ignición tales como calentadores de agua, calentadores unitarios, secadoras de ropa, etc.
- Para reducir el riesgo de incendio, mantener la segadora libre de césped, hojas y acumulación de otros residuos.
- Dejar que el motor se enfríe antes de almacenarlo en cualquier recinto.

REPARACIÓN, MANTENIMIENTO Y SEGURIDAD DE AJUSTE

- Después de golpear un objeto extraño, parar el motor. Desconectar el cable de la bujía y mantenerlo alejado de ésta para evitar un arranque accidental. Inspeccionar exhaustivamente la segadora para determinar si ha sufrido daños. Si está dañada, efectuar las gestiones para que un técnico capacitado la repare antes de arrancarla y utilizarla nuevamente.

⚠ ADVERTENCIA

- Parar el motor antes de limpiar, reparar o inspeccionar la unidad. Verificar que todas las piezas móviles hayan parado. Dejar que el motor se enfríe. Desconectar el cable de la bujía y alejarlo de ésta.
- Jamás intentar ajuste alguno mientras el motor esté en marcha, excepto cuando así lo recomiende el fabricante específicamente.
- Mantener la segadora en condiciones de funcionamiento seguro. Revisar todos los sujetadores a intervalos frecuentes para una sujeción apropiada.
- Al dar mantenimiento a la segadora o repararla, no inclinar la máquina lateral o longitudinalmente a menos que así lo instruya este Manual específicamente. Los procedimientos de mantenimiento y reparación se pueden efectuar con la segadora en la posición vertical. Algunos procedimientos serán más fáciles si se coloca la máquina sobre una plataforma o superficie de trabajo elevada.
- Utilizar solo equipo original o piezas de repuesto autorizadas.
- Jamás manipular imprudentemente los dispositivos de seguridad. Verificar el funcionamiento apropiado de los mismos periódicamente.
- No cambiar la configuración del regulador del motor ni sobreacelerar el motor.
- Limpiar y reemplazar los marbetes de seguridad e instrucciones según sea necesario.
- Para prevenir el sobrecalentamiento del motor, siempre tener el filtro de impurezas limpio e instalado en el motor instalado.

SEGURIDAD DE NIÑOS

⚠ ADVERTENCIA

- Accidentes trágicos pueden ocurrir si el usuario no está alerta a la presencia de niños. A menudo, los niños se ven atraídos por la segadora y el segado mismo.
- Mantener a los niños fuera del área de segado y bajo la supervisión de un adulto responsable.
- Jamás suponer que los niños permanecerán donde se los vio la última vez.
- Estar alerta y apagar la segadora si algún niño entra en el área.
- Antes de retroceder y mientras se retrocede, ver hacia atrás y hacia abajo para asegurarse que no haya niños.
- Jamás permitir que niños utilicen la segadora.
- Tener sumo cuidado al utilizar la segadora cerca de esquinas sin visibilidad clara, arbustos, árboles u otros objetos que pudieran obstruir la visión.

Marbetes de seguridad

• Conserve todas las instrucciones

Esta segadora se ha diseñada y fabricada para brindar la seguridad y confiabilidad que se debería esperar de un líder de la industria en la fabricación de equipo motorizado para espacios exteriores.

Aunque leer este manual y las instrucciones de seguridad que contiene proporciona el conocimiento básico necesario para operar este equipo de manera segura y eficaz, se han colocado varios marbetes de seguridad en la segadora para recordar al operador esta importante información mientras opera la unidad.

Estos importantes marbetes de seguridad se ilustran a continuación y se muestran aquí para ayudar a familiarizarse con la ubicación y contenido de los mensajes de seguridad que el operador verá durante las operaciones normales de labranza. Revísense estos marbetes ahora mismo. Si se tiene alguna pregunta con respecto a su significado o a cómo cumplir estas instrucciones, leer nuevamente el texto completo de las

instrucciones de seguridad en las páginas que anteceden, o bien, contáctese al concesionario local autorizado. Si alguno de los marbetes de seguridad se vuelve ilegible debido al desgaste, desvanecimiento o daño durante el uso de la segadora, contáctese al concesionario local autorizado para pedir marbetes nuevos.

Los marbetes de seguridad se aplican fácilmente y actúan como un recordatorio visual constante para el usuario y otros que pudieran usar el equipo. Seguir las instrucciones de seguridad es necesario para la operación segura y eficaz de la segadora.

Consultar la sección de las “Instrucciones de seguridad” de este manual para encontrar las explicaciones de los símbolos de seguridad



Especificaciones

• Conserve todas las instrucciones

UNIDAD

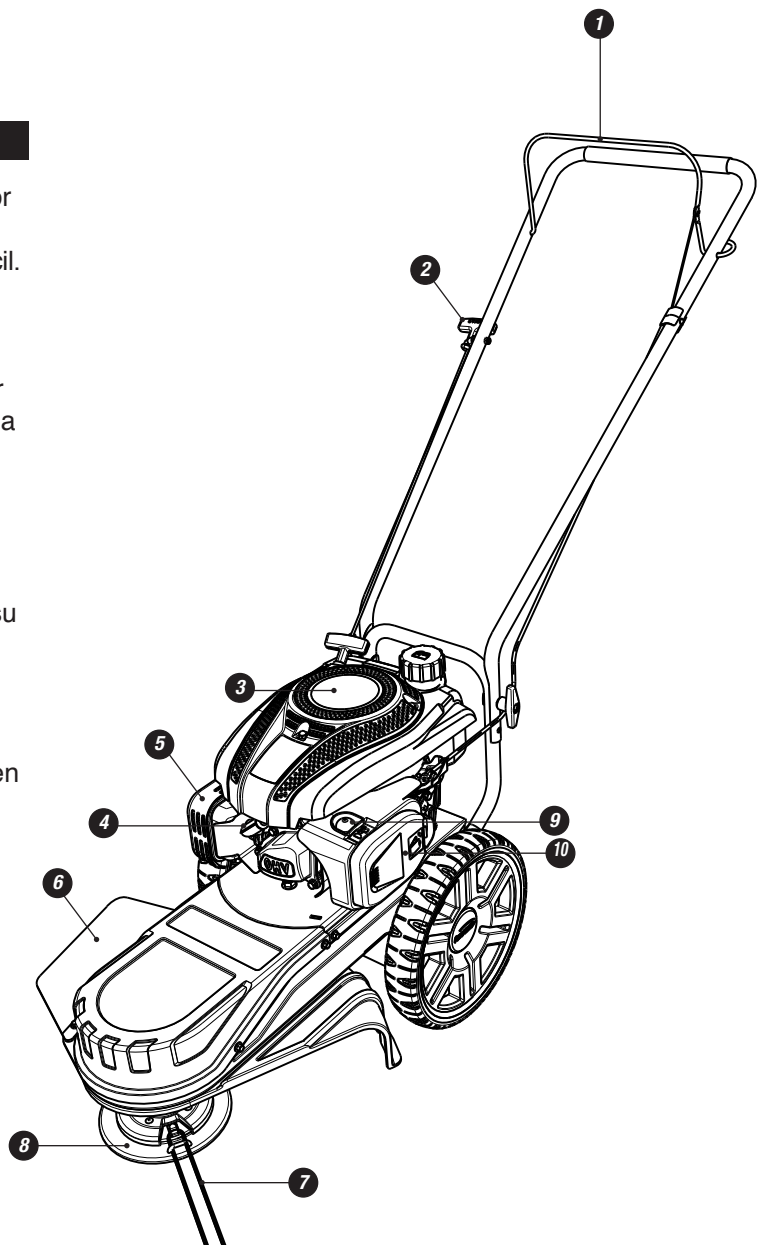
Peso de la unidad	29.9 kg (68 lb.)
Anchura de corte	22 in. (599 mm)
Diámetro del hilo de corte	0.155 in. (4 mm)
Diámetro de ruedas	12 in. (305 mm)
Altura de corte	38 mm (1.5 pulgadas)
Tipo de gasolina	Regular Unleaded – 87 Octane (min.)
Capacidad de gasolina	1 L (1 cuartos)
Tipo de aceite (API SG-SL)	Se recomienda 10W-30 para toda temperatura en servicio. Véase la página 56 para mayor información.
Capacidad de aceite	450 ml (15-1/2 onzas)
Modelo de bujía	Torch K7RTC
Salto de chispa de la bujía	0.024 - 0.031 in. (0.6 - 0.8mm)

MOTOR

Tipo	4 tiempos, válvula en la culata
Cilindrada	150 cm ³
Par de torsión nominal	Par de torsión bruto de 7.72 Nm (5.7 pie / lb) según SAE J1940
Diámetro interior x carrera	.65 x 45.2 mm (2.56 x 1.78 in.)
Huelgo de la válvula de admisión	0.006-0.008 in. (0.15-0.20 mm)
Huelgo de la válvula de escape	0.006-0.008 in. (0.15-0.20 mm)
RPM a admisión plena	3000

Características

- 1. Barra de control de arranque** - Liberarla para parar el motor
- 2. Empuñadura de arrancador de retroceso** - El motor está equipado con un arrancador de retroceso de tracción fácil.
- 3. Tapa del arrancador de retroceso** - Cubre el mecanismo del arrancador de retroceso. Los orificios permiten la entrada de aire hacia el sistema de enfriamiento.
- 4. Bujía / Cable de la bujía** - Brinda la chispa para encender la mezcla de aire / combustible. Al dar mantenimiento a la unidad, es preciso desconectar y retirar el cable de la bujía.
- 5. Silenciador** - Ubicación del escape del motor.
- 6. El protector de la segadora protege** - al usuario contra los despojos lanzados. La cuchilla instalada en el protector corta automáticamente el hilo para corregir su longitud, si ésta es demasiado larga.
- 7. Hilo de la segadora** - Elemento de corte rotativo de la segadora.
- 8. Cabezal de segadora** - Rota los hilos de la segadora.
- 9. Botón del cebador** - Inyecta combustible directamente en el carburador para arranques más rápidos.
- 10. Filtro de aire** - Retira despojos y contaminantes del aire de admisión, para un funcionamiento uniforme del motor con un nivel de emisiones bajo.



Montaje

• Conserve todas las instrucciones



Si se necesita ayuda o hacen falta piezas,
LLAME SIN COSTO AL: 1-800-737-2112.

Leer y seguir las instrucciones de montaje. No descartar ninguna pieza ni materiales antes de concluirse el montaje de la unidad. Las referencias al lado derecho o izquierdo de la segadora toman como base el punto de vista del usuario ubicado detrás de la unidad.

⚠ ADVERTENCIA

No utilizar la segadora si ésta está averiada o no está armada completa y correctamente. Antes de efectuar algún montaje o mantenimiento de la unidad, retirar el cable de la bujía. En la caja se encontrarán los componentes siguientes.

Piezas incluidas dentro de la caja		CANT.
1	Manual del operador	1
2	Manual del motor	1
3	Guía de arranque	1
4	Tuercas de tipo mariposa	2
5	Pernos de asidero	2
6	Tuerca de brida	1
7	Tapa de rueda	2
8	Dos ruedas	1
9	Asidero superior	1
10	Manual del ensamblaje de la segadora	1
11	Juego de hilos de 0.155 pulg. (4 mm) de segadora	1
12	Ataduras para cable	2
13	Contenedor de aceite automotriz	2

Cómo montar el asidero

NOTA: Refiérase a la Figura 2 al seguir los pasos de abajo.

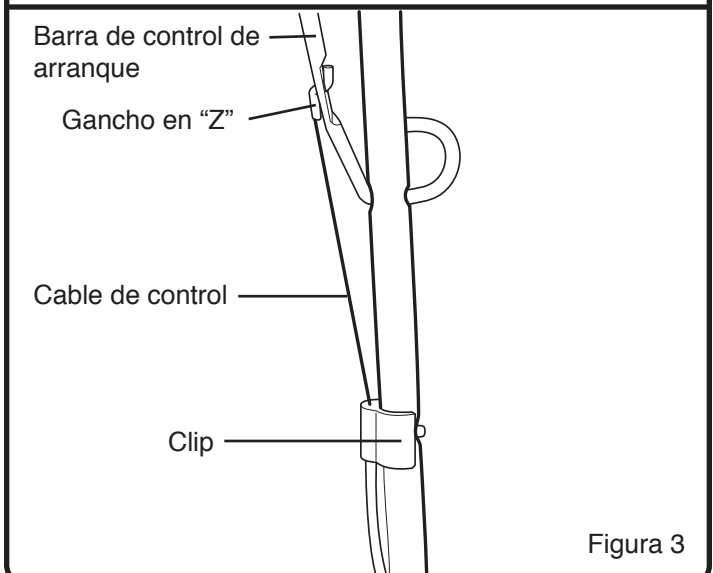
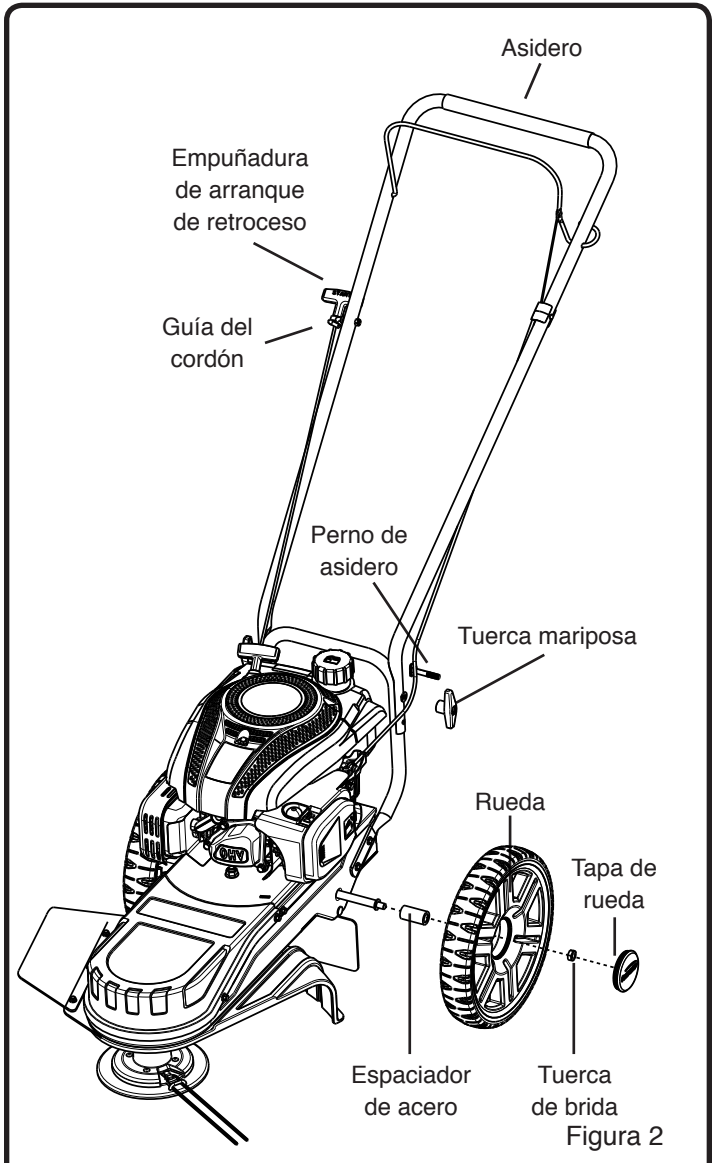
1. Unir el ensamble del asidero superior con el asidero inferior, alineando los orificios para los pernos e insertando los pernos proveídos para asideros a través de ambos lados e instalando finalmente la tuerca mariposa de plástico.

Cómo ensamblar el cable de control con la barra de control de arranque

NOTA: Refiérase a la Figura 3 al seguir los pasos de abajo.

Después de haber ensamblado el asidero, instale el cable de control como sigue:

1. Inserte el gancho en "Z" dentro del orificio de la barra de control de arranque (insértelo del interior hacia el exterior).
2. Instale el clip dentro del orificio del asidero.
3. Para fijar la empuñadura del arrancador de retroceso sobre la guía del cordón, resione la barra de control de arranque, tire de la cuerda, girar el cordón a través de la guía del cordón, montado en el lado derecho del asidero.



Montaje

• Conserve todas las instrucciones



Si se necesita ayuda o hacen falta piezas,
LLAME SIN COSTO AL: 1-800-737-2112.

Cómo ensamblar la rueda

NOTA: Refiérase a la Figura 2 al seguir los pasos de abajo.

1. Colocar la unidad sobre una superficie plana.
2. Instalar los espaciadores de acero sobre el eje.
3. Instalar las ruedas y fijarlas en sus lugares con tuercas de brida.
4. Instalar la tapa de rueda presionándola firmemente en el centro, hasta que la tapa se encaje en su lugar.

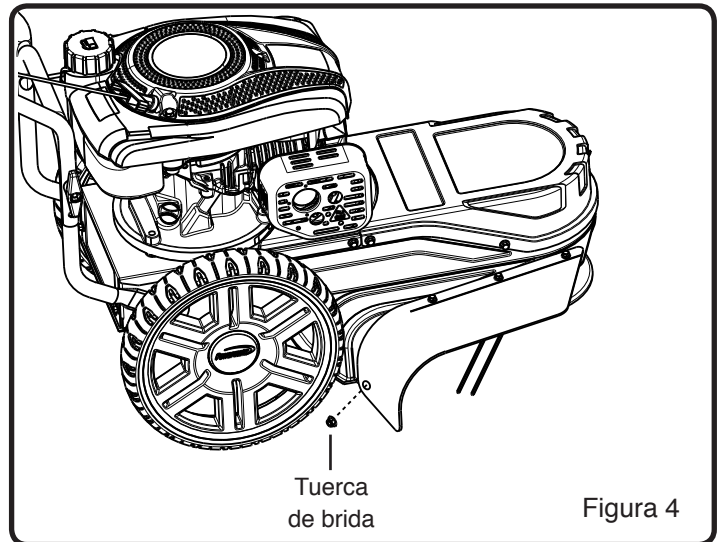
Cómo ensamblar el protector flexible

NOTA: Refiérase a la Figura 4 al seguir los pasos abajo.

1. Alinear el orificio trasero del protector flexible con la tija enroscada colocada en la base del deflector.
2. Ensamblar con una tuerca de brida.

⚠ ADVERTENCIA

No operar la segadora de hilo a menos que todos los protectores estén instalados completamente.



Preparación del motor

• Conserve todas las instrucciones

A Aceite de motor

AVISO

El motor se envía sin aceite. El no agregar aceite causará daños severos al motor.

Se incluye un envase de aceite automotriz con la segadora abierto. Consultar la figura 5 para obtener información sobre tipos alternativos de aceite a usarse a diferentes temperaturas. Siempre utilizar un aceite detergente de alta calidad clasificado "Para servicio, SG, SH, SJ" o superior. No utilizar aditivos especiales.

Siempre usar el tipo de aceite recomendado. El uso de aceite sucio o tipo de aceite incorrecto --tal como aceite para motores de dos tiempos-- acortará la vida útil del motor.

CÓMO REVISAR EL ACEITE Y LLENAR HASTA EL NIVEL APROPIADO

⚠ ADVERTENCIA

Antes de revisar el aceite, verificar que el motor esté apagado y que se haya desconectado de la bujía el cable de la misma.

1. Retirar la tapa de llenado de aceite / varilla de aforar y enjuagarla con un paño.
2. Retirar la tapa de llenado de aceite / varilla de aforar y enjuagarla con un paño. Consultar la figura 7 para determinar la ubicación de la varilla de aforar.
3. Colocar nuevamente la varilla de aforar en posición y NO enroscarla. Retirla y revisar el nivel de aceite.
4. Al tenerse un nivel lleno de aceite, el aceite alcanzará el límite superior en la varilla aforadora. Si el nivel de aceite está cerca del límite inferior o por debajo de éste, se ha de agregar aceite. (Véase la figura 6)
5. Agregar aceite lentamente hasta que el nivel del aceite alcance el límite superior de la varilla aforadora. Utilizar un embudo o boquilla para reducir derrames.

AVISO

Verificar el nivel de aceite frecuentemente durante el llenado. NO SOBRELLENAR. NO SUBLLENAR. Hacer marchar el motor con un nivel inadecuado de aceite causará daños severos al motor.

6. Colocar la varilla aforadora en posición y apretarla.
7. Limpiar todo aceite derramado.

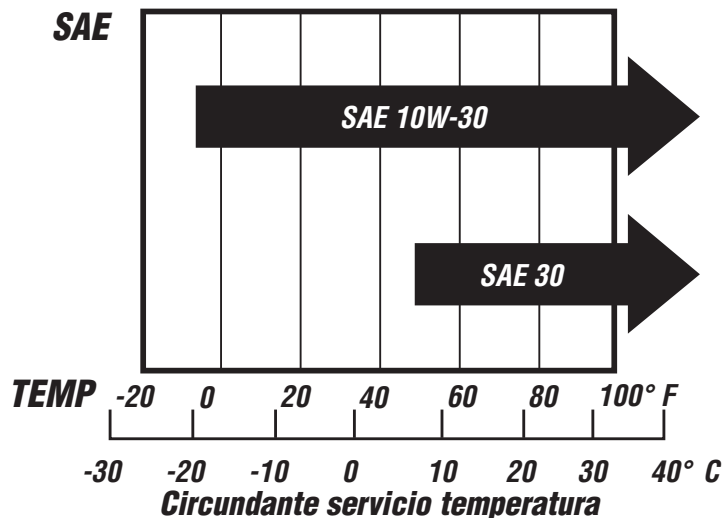


Figura 5

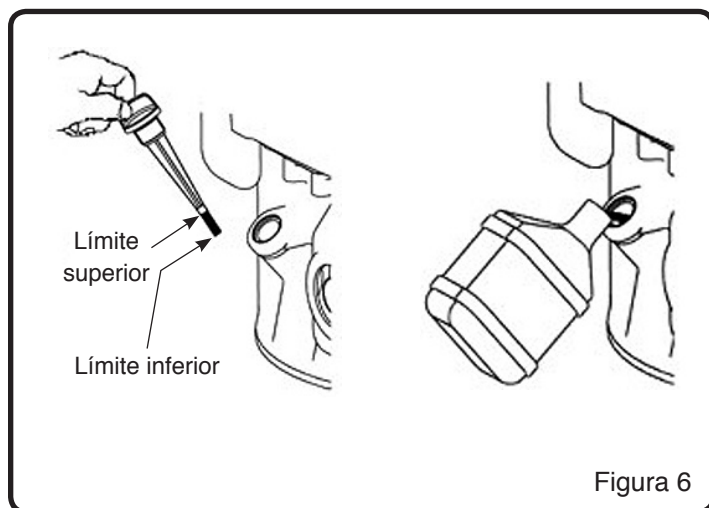


Figura 6

Preparación del motor (la siguiente)

• Conserve todas las instrucciones

B Combustible

⚠ ADVERTENCIA

- La gasolina es extremadamente inflamable y los vapores pueden explotar si se inflaman. Manipularla con cuidado.
- Usar gasolina fresca, limpia, regular, sin plomo, de 88 octanos como mínimo.
- NO usar gasolina con plomo, gasohol, metanol ni combustible diésel. No mezclar el aceite con gasolina. NO permitir que la gasolina se contamine con polvo, agua o despojos.

AVISO

El uso de un tipo incorrecto de combustible o de combustible contaminado causará daños severos al motor.

NOTA: La capacidad del tanque de combustible es aproximadamente 1.0 L (1.06 cuartos)

CÓMO LLENAR EL MOTOR CON COMBUSTIBLE

⚠ ADVERTENCIA

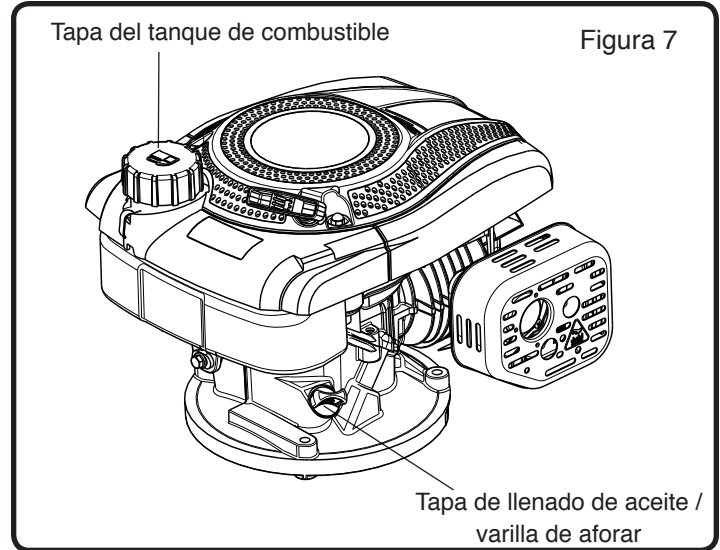
- Apagar el motor y dejarlo enfriar durante varios minutos antes de quitar la tapa de combustible o agregar combustible.
- Jamás llenar el tanque de combustible en espacios interiores.
- No fumar durante el abastecimiento de combustible.

1. Limpiar la superficie alrededor de la tapa de combustible para evitar contaminación. (Véase la figura 7)
2. Aflojar la tapa de combustible lentamente para retirarla.
3. Verter el combustible en el tanque. Tener cuidado para evitar derrames.

⚠ ADVERTENCIA

NO SOBRELLENAR con combustible. Dejar espacio para que el combustible se expanda debido al calor del motor y/o del sol.

4. Antes de colocar nuevamente la tapa de combustible, inspeccionar y limpiar el sello de la tapa de combustible.
5. Colocar nuevamente la tapa de combustible y apretarla a mano de manera segura. Al sentirse y escucharse un chasquido, se habrá asegurado la tapa (solo en el modelo S-WFT-16022).
6. Limpiar todo combustible derramado.



Uso

• Conserve todas las instrucciones

A Antes de arrancar el motor

⚠ ADVERTENCIA

Antes de arrancar el motor, leer el Manual del usuario. Familiarizarse con la ubicación y función de todos los controles. Sépase cómo parar el motor rápidamente. Antes de intentar arrancar el motor, revisar los pasos siguientes:

1. Se ha montado la unidad según todas las instrucciones de montaje.
2. Se ha inspeccionado la unidad para determinar si hay piezas averiadas o faltantes.
3. No hay piezas restantes en la caja.
4. El aceite del motor está al nivel apropiado.
5. Se ha abastecido el tanque de combustible con gasolina fresca, limpia, regular, sin plomo.
6. El cable de la bujía está conectado a la bujía.
7. Se ha movido la segadora a la ubicación deseada.
8. La segadora está en una superficie a nivel.

⚠ ADVERTENCIA

Durante el uso, mantener a todo circunstante, especialmente NIÑOS, alejados

IMPORTANTE: El sistema de escape de esta unidad está provisto de un silenciador con supresor de chispas. La manipulación imprudente o el retiro del supresor de chispas viola la sección 442 del California Public Resources Code (Código de Recursos Públicos de California) así como también otras leyes estatales y federales pertinentes.

⚠ PELIGRO

Jamás hacer funcionar el motor en espacios interiores o en un área con ventilación deficiente. Los gases del escape del motor contienen monóxido de carbono, un gas INODORO y LETAL.

B Cómo arrancar el motor

⚠ ADVERTENCIA

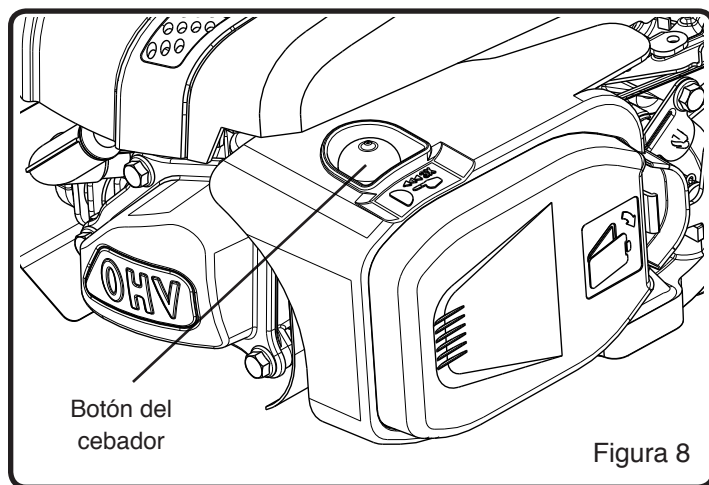
Los despojos lanzados por la segadora pueden causar lesiones oculares graves. Siempre utilizar gafas protectoras o pantallas oculares que cumplan las normas ANSI al utilizar la segadora. Si se usa anteojos, colocar una máscara protectora de visión amplia, certificada por OSHA, sobre los anteojos.

AVISO

Antes de arrancar la segadora, limpiar los despojos de los agujeros en la cubierta del arrancador de retroceso.

1. Revisar TODOS los pasos en la sección "ANTES DE ARRANCAR EL MOTOR".
2. Empujar el bulbo del cebador tres veces; esperar dos segundos entre cada empuje. (Véase la figura 8)

NOTA: No es necesario al arrancarse nuevamente un motor caliente.

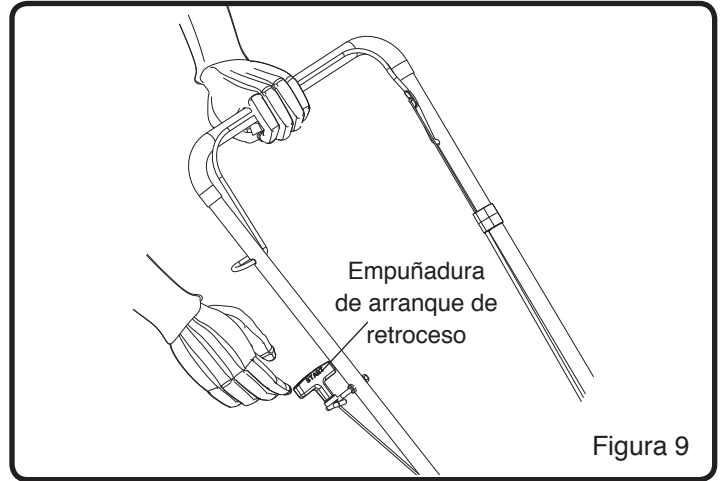


Uso (la siguiente)

- Conserve todas las instrucciones

B Cómo arrancar el motor

3. Agarrar firmemente la empuñadura de la segadora de hilo con la mano izquierda, engancho la barra de control de arranque de motor. (Ver Figura 9)
4. Sujetar firmemente la empuñadura del arrancador de retroceso con la mano derecha. (Véase la figura 9)
5. Tirar del arrancador de retroceso lentamente hasta sentir tensión en la cuerda del arrancador. Después, jalar rápidamente la empuñadura del arrancador de retroceso para arrancar el motor. NO permitir que la cuerda del arrancador retroceda violentamente. Dejar que la cuerda del arrancador se reenrolle lentamente mientras se sujeta la empuñadura del arrancador de retroceso.
6. Si el motor no arranca después de tres intentos, oprimir el botón del cebador dos veces y, nuevamente, tirar de la empuñadura del arrancador de retroceso.
7. Si el motor no arranca después de 5 ó 6 intentos, ver la instrucción en la “Tabla de diagnóstico y resolución de problemas”.



C Cómo parar el motor

1. Liberar la barra de control.

⚠ CUIDADO

El hilo de la segadora continuará rotando durante unos segundos después de la liberación de la barra de control. Tener cuidado.

⚠ ADVERTENCIA

Mantener las manos, los pies, el cabello, y la ropa holgada alejados de toda pieza móvil. No tocar el silenciador y las áreas circundantes: las temperaturas podrían ser superiores a 65.6 °C (150 °F). Mantener todos los dispositivos y pantallas de seguridad en posición.

D Consejos de segado

⚠ ADVERTENCIA

Despojos tales como palos, grava y rocas podrían ser lanzados con la fuerza suficiente como para causar lesiones personales o daños a la propiedad.

- Limpiar frecuentemente la acumulación de despojos y césped de los agujeros de la cubierta del arrancador de retroceso, bajo la cubierta en el área del cabezal de la segadora y alrededor del silenciador. El uso de la unidad con despojos excesivos conlleva el riesgo de incendio. Siempre tener sumo cuidado al usar la segadora durante condiciones secas.
- Si los hilos de la segadora se vuelven demasiado cortos, la duración de la tarea será mayor. Si los hilos de la segadora se han visto reducidos a menos de la mitad de su longitud original, cambiar a un hilo nuevo. Véase “Cómo cambiar el hilo de la segadora” en la sección Mantenimiento.
- No segar en pendientes demasiado inclinadas. Véase la Guía para pendientes. Si es difícil mantener el pie en una

pendiente, no segarla. No segar pendientes cuando el terreno esté liso o húmedo. Segar transversalmente a la pendiente, no longitudinalmente.

- El contacto de la punta del hilo de la segadora con concreto, asfalto y superficies más duras podría dar lugar a desgaste prematuro.
- Para obtener resultados óptimos y la mayor duración del hilo, remojar el hilo de la segadora en una cubeta de agua durante 24 horas antes de usarlo. Un hilo húmedo es más flexible que un hilo seco y quebradizo.
- Dejar que sean los extremos del hilo los que corten. Esto se logra fácilmente mediante el movimiento lento a través de malas hierbas espesas o densas.

GUÍA PARA PENDIENTES

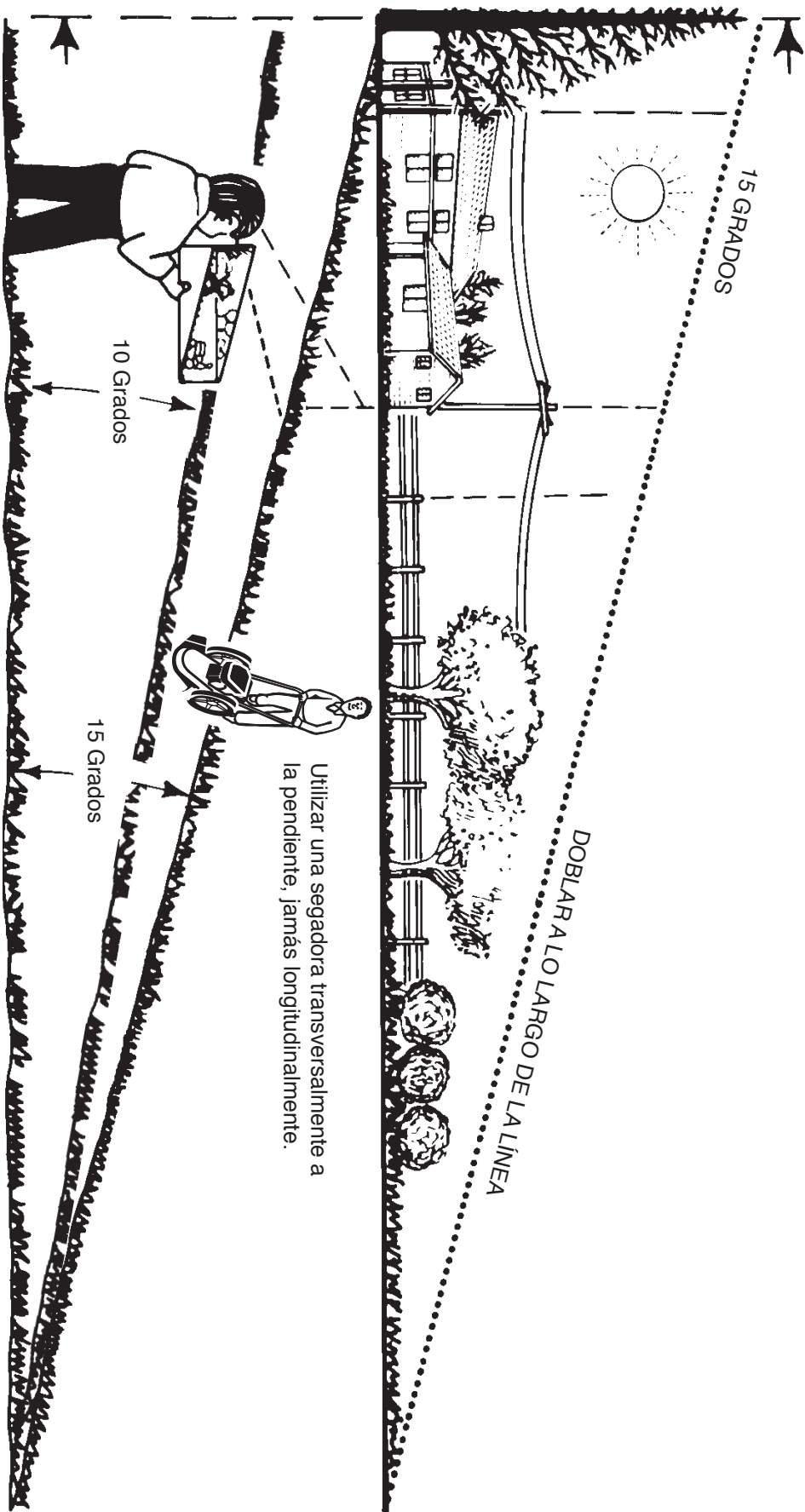
VER Y SUJETAR ESTE NIVEL DE GUÍA CON UN ÁRBOL VERTICAL, LA ESQUINA DE UNA ESTRUCTURA, UN POSTE DE ALUMBRADO ELÉCTRICO O UNA CERCA.

Utilizar una segadora transversalmente a la pendiente, nunca longitudinalmente. Utilizar esta guía y no segar en una pendiente mayor de 15 grados. Una pendiente de 10 grados es una cima que aumenta en altura a aproximadamente en 0.5 m (1.7 pies) por cada 3 m (10 pies). Una pendiente de 15 grados es una cima que aumenta en altura a aproximadamente 0.8 m (2.5 pies) por cada 3 m (10 pies).



¡ADVERTENCIA!

Tener sumo cuidado en todo momento y evitar cruces o maniobras repentinas. Seguir instrucciones adicionales en este manual sobre seguridad para segar pendientes. Utilizar una segadora transversalmente a la pendiente, jamás longitudinalmente a la misma. Tener sumo cuidado al utilizarla en o cerca de obstrucciones.



Mantenimiento

• Conserve todas las instrucciones

⚠ ADVERTENCIA

Antes de cualquier mantenimiento, apagar el motor y retirar el cable de la bujía para evitar un arranque accidental y lesiones graves.

IMPORTANTE: La garantía de esta segadora no cubre elementos que se hayan visto sujetos a uso indebido o negligencia por parte del usuario. Para recibir el monto completo de la garantía, el usuario ha de dar mantenimiento a la segadora como se indica en este manual, y sólo ha de utilizar piezas de repuesto genuinas. La tabla siguiente presenta el mantenimiento periódico requerido.

PROGRAMA DE MANTENIMIENTO PERIÓDICO

<i>Registros de mantenimiento: incluir las fechas a medida que se efectúa el mantenimiento periódico</i>	<i>Después de cada uso</i>	<i>Después de 10 horas de uso</i>	<i>Después de 25 horas de uso</i>	<i>Después de 50 horas de uso</i>	<i>Después de 100 horas de uso</i>	<i>Antes de cada temporada</i>	<i>Antes del almacenamiento</i>	<i>Véase la nota a continuación</i>
Revisar el nivel de aceite del motor, llenar al nivel apropiado	✓					✓		
Revisar la tubería del combustible; reemplazarla si fuera necesario	✓					✓		1
Eliminar todo despojo de la unidad	✓					✓	✓	2
Revisar el apriete de los sujetadores		✓				✓		3
Revisar la cuchilla para determinar si hay desgaste o daños Reemplazarla si fuera necesario		✓				✓		
Revisar la tubería del combustible; reemplazarla si fuera necesario			✓			✓		
Lubricar las piezas móviles			✓			✓	✓	
Revisar la bujía Reemplazarla si fuera necesario			✓			✓		
Revisar la banda del impulsor Reemplazarla si fuera necesario			✓			✓		
Limpiar el filtro de aire Reemplazarlo si está muy sucio		✓				✓		4
Cambiar el aceite del motor				✓		✓	✓	5, 6
Reemplazar la bujía					✓			
Limpiar los depósitos de combustión del cilindro, el pistón y las válvulas.					✓			

⚠ CUIDADO

NOTAS IMPORTANTES sobre el programa de mantenimiento

1. Cambiar los hilos de la segadora cuando se haya consumido la mitad de la longitud original.
2. Limpiar frecuentemente el césped de
 - a. Los agujeros en la cubierta del arrancador de retroceso
 - b. Debajo de la cubierta en el área del cabezal de la segadora
 - c. Alrededor del silenciador
3. Verificar nuevamente el apriete de los sujetadores después de las primeras 2 horas del uso inicial.
4. Limpiar el filtro de aire cada 10 horas. Limpiar a menudo si funciona sobre condiciones polvorientas.

5. Cambiar el aceite del motor después de las primeras 5 a 8 horas del uso inicial.

6. Cambiar el aceite después de cada 25 horas de operación bajo carga pesada o en temperaturas altas.

⚠ ADVERTENCIA

Utilizar sólo piezas de repuesto GENUINAS. Otras piezas podrían averiar la unidad o causar lesiones.

Mantenimiento *(la siguiente)*

• *Conserve todas las instrucciones*

Cómo cambiar el aceite

Nota: Consultar la figura 7 al seguir los pasos siguientes:

1. Parar el motor y dejarlo enfriar.
2. Desconectar el cable de la bujía.
3. Retirar la varilla aforadora. (Véase la figura 7)
4. Inclinar el motor y dejar drenar todo el aceite dentro de la bandeja colectora.

IMPORTANTE: El aceite usado es un desecho peligroso. Colocar el aceite en un contenedor sellado y llevarlo al centro de reciclaje local. NO descartarlo con los desechos domésticos.

5. Para rellenar el motor con aceite, ver la sección de preparación del motor “Cómo revisar el aceite y llenar hasta el nivel apropiado.”

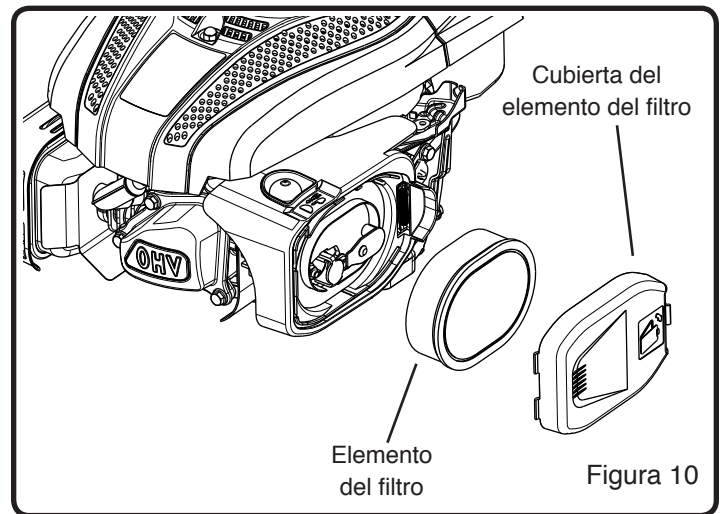
Cómo limpiar filtro de aire

Un filtro sucio restringe la admisión de aire. El mantenimiento periódico del filtro de aire ayuda a mejorar el rendimiento del motor y a reducir las emisiones

⚠ ADVERTENCIA

Nunca limpiar el filtro de aire con gasolina o un solvente que pueda inflamarse fácilmente, porque se puede provocar un peligro de incendio..

1. Retirar la cubierta del filtro de aire; cuidadosamente retirar el elemento del filtro. (Véase la figura 10).
2. Limpiar todas las piezas. Limpiar el elemento del filtro, tocándolo suavemente sobre una superficie plana. Reemplazar el filtro, si está muy sucio.
3. Reinstalar el elemento del filtro y la cubierta del filtro.



Mantenimiento *(la siguiente)*

• *Conserve todas las instrucciones*

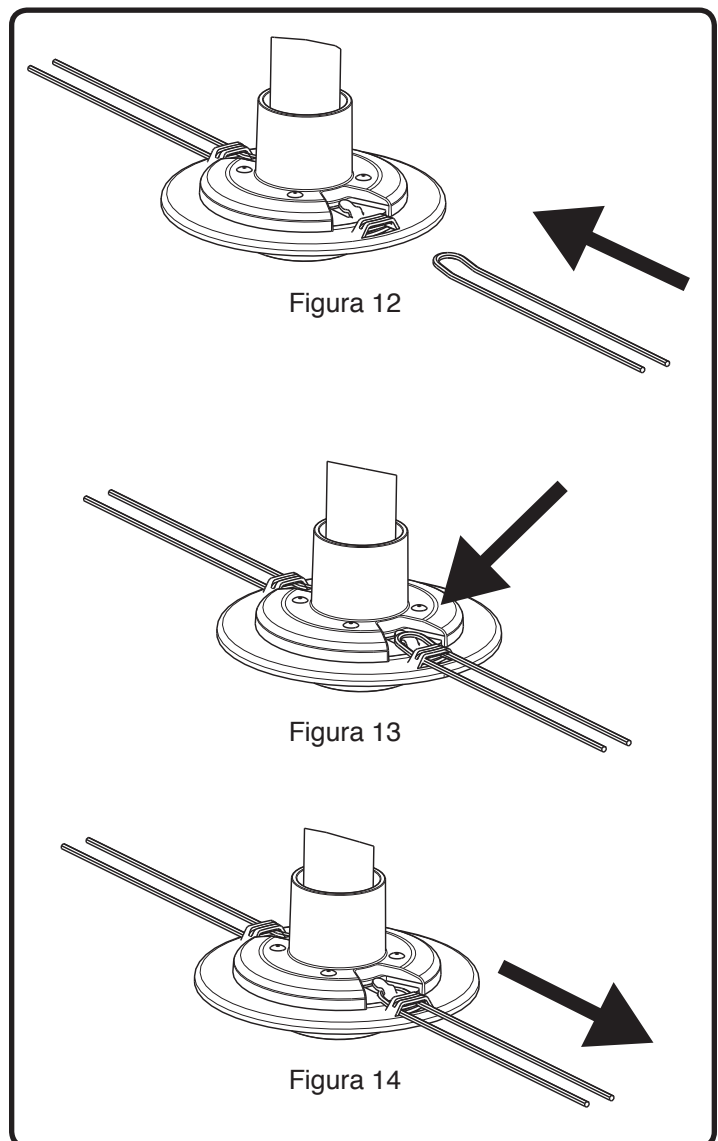
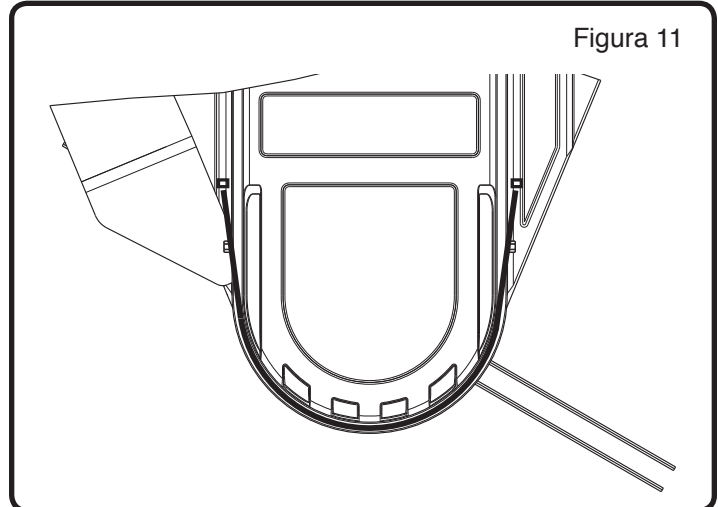
Cómo cambiar los hilos de la segadora

Cuando el hilo de la segadora se gasta a la mitad de la longitud original, reemplazar el hilo. Para el mejor rendimiento, utilizar un hilo para servicio pesado de 4 mm (0.155 pulgadas).

1. Parar el motor. Esperar a que todas las piezas móviles paren. Desconectar el cable de la bujía.
2. Retirar el hilo gastado del retenedor de hilo.
3. Cortar la longitud del hilo de la segadora a 546 mm (21.5 pulgadas). Utilizar la guía de longitud. Ésta está ubicada en la pantalla para asegurarse que el hilo tenga la longitud correcta. (Véase la Figura 14)

NOTA: No permitir que la longitud de los hilos varíe más de una pulgada. Cerciorarse de que el cabezal de la segadora esté equilibrado y no vibre.

IMPORTANTE: Para extender la vida útil del hilo de la segadora, mantenerlo húmedo. Si no se lo mantiene húmedo, el hilo de nilón se resecará y será frágil. Mantener el hilo adicional de la segadora en una lata con agua. El hilo permanecerá flexible y fácil de cambiar, de esa manera. Asimismo, un hilo flexible durará mucho más.



Mantenimiento *(la siguiente)*

- *Conserve todas las instrucciones*

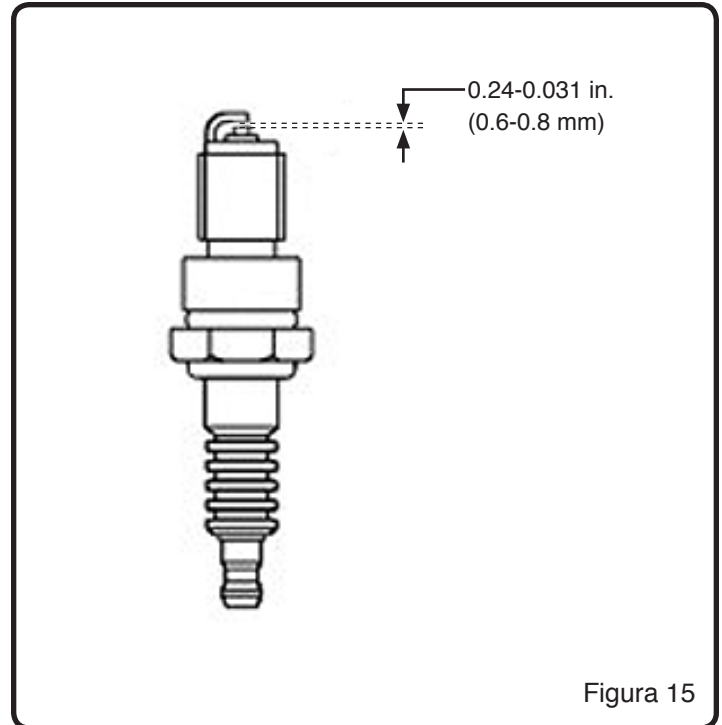
Cómo revisar la bujía

Modelo de bujía: Torch K7RTC

⚠ ADVERTENCIA

Sólo usar la bujía recomendada o una bujía con el mismo intervalo de temperatura. El uso de una bujía inadecuada, un salto de chispa incorrecto o una bujía sucia u hollinada puede reducir el rendimiento del motor y causar averías.

1. Parar el motor y dejarlo enfriar.
2. Retirar de la bujía el cable de la bujía.
3. Retirar la bujía con un cubo de 16 mm (5/8 de pulgada) de profundidad.
4. Inspeccionar visualmente la bujía para determinar si tiene grietas o daños. Si está agrietada, reemplazarla.
5. Limpiar los depósitos de carbono. Si hay acumulación excesiva de carbono, reemplazar la bujía.
6. Verificar que el salto de chispa de la bujía sea de 0.24-0.031 in. (0.6-0.8 mm). (Véase la Figura 15)
7. Reinsertar la bujía y apretarla a un par de torsión de 16N·m (12 ft·lbf).
8. Reconectar el cable de la bujía a la bujía.



Mantenimiento *(la siguiente)*

• *Conserve todas las instrucciones*

Cómo cambiar la banda del impulsor

⚠ ADVERTENCIA

Antes de retirar la banda del impulsor, desconectar el cable de la bujía.

1. Quitar los cuatro sujetadores que mantienen el protector plástico de banda sobre la caja de la segadora de hilo. (Ver Figura 16)
2. Remove the plastic belt guard.
3. Quitar la tuerca de brida y la arandela que mantienen la polea de impulsión adelante sobre el cabezal de la segadora de hilo. (Ver Figura 16)
4. Jalar la polea de impulsión adelante hacia arriba, para quitarla del eje de cabezal del rotor.
5. Quitar la tuerca de brida que mantiene la polea loca sobre el sujetador de la polea loca. (Ver Figura 17)
6. Quitar la banda de impulsión de la unidad.

IMPORTANTE: Utilizar solamente una banda de reemplazo del fabricante. Para pedir piezas de repuesto llamarnos al 1-800-737-2112

7. Para ensamblar la banda de impulsión, invertir los pasos anteriores.
8. Las especificaciones del par de torsión son
 - 50-70 pulg / lb [5.7-8.0 Nm] para el protector de banda,
 - 27-33 pie / lb [36.6-44.7 Nm] para la tuerca de montaje de la polea de impulsión.
9. Verificar la dirección de la banda de impulsión. Asegurarse de que la banda de impulsión esté dentro de las guías de banda y que la banda no esté torcida. (Ver Figura 17)

IMPORTANTE: Probar el sistema de impulsión. Arrancar el motor y asegurarse de que el cabezal del rotor gire libremente.

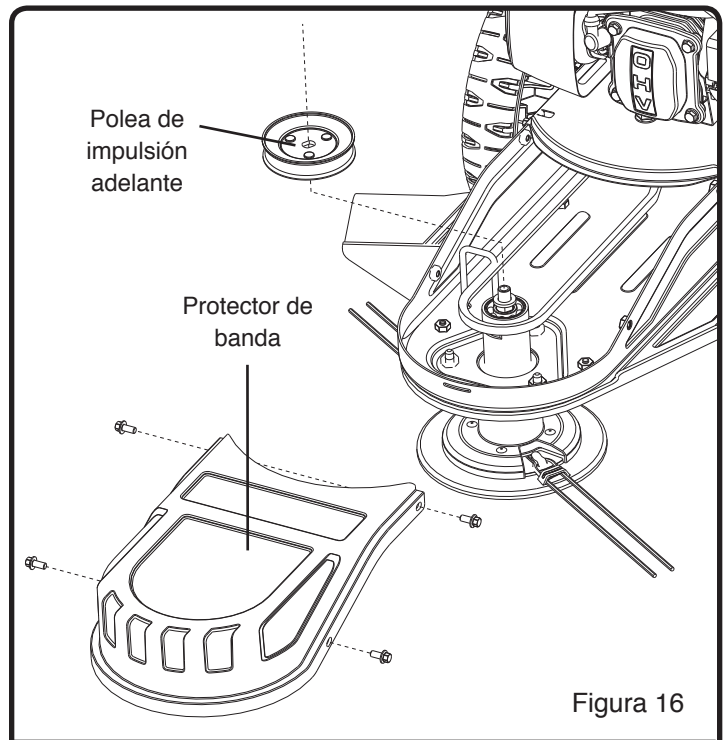


Figura 16

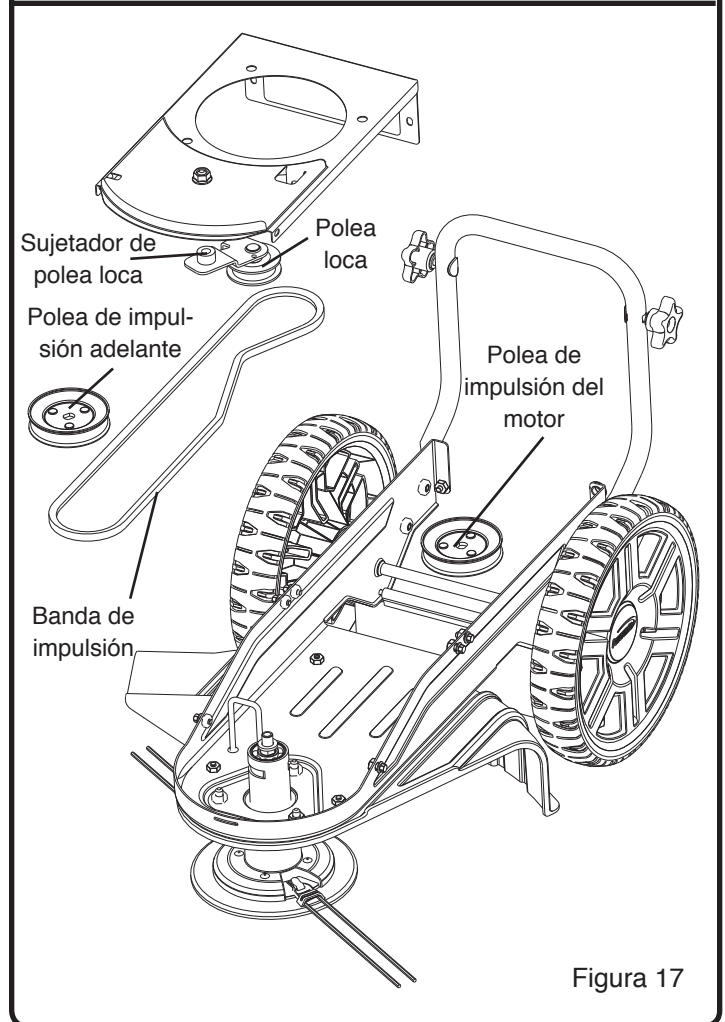


Figura 17

Mantenimiento *(la siguiente)*

• *Conserve todas las instrucciones*

Cómo prepararla para almacenamiento

⚠ ADVERTENCIA

Jamás almacenar la bordeadora en espacios interiores con combustible en el tanque. Jamás almacenarla en un recinto cerrado, mal ventilado donde las emanaciones pudieran llegar a una llama abierta, una chispa o una luz piloto como la de un horno, calentador de agua o secadora de ropa. Dejar que el motor enfríe antes de almacenar la unidad.

No retirar la gasolina dentro de un edificio, cerca de una llama o mientras se fuma. Los vapores de la gasolina pueden causar una explosión o incendio.

NOTA: Una revisión anual o afinado en un centro de servicio autorizado servirá para asegurarse que la segadora brindará el máximo rendimiento en la siguiente temporada.

Limpiar frecuentemente la acumulación de despojos y césped de los agujeros de la cubierta del arrancador de retroceso, bajo la cubierta en el área del cabezal de la segadora y alrededor del silenciador. El uso de la unidad con despojos excesivos conlleva el riesgo de incendio. Siempre tener sumo cuidado al usar la segadora durante condiciones secas. Para evitar la formación de depósitos de resina debido al combustible y la corrosión en el carburador y el sistema de combustible de la unidad, es muy recomendable utilizar un aditivo/estabilizador formulado para combustibles de etanol. Siga las instrucciones del fabricante del estabilizador. Haga funcionar el motor al menos 5 minutos después de añadir el estabilizador.

1. Dejar que el motor marche hasta agotarse la gasolina. Retire el tornillo del carburador del depósito y drene el combustible. Incline ligeramente la unidad para drenar todo el combustible. Coloque de nuevo el tornillo.
2. Change the oil by following instructions under “How to Change the Oil.”
3. Retirar la bujía del cilindro. Verter una onza de aceite en el cilindro. Lentamente, tirar de la empuñadura de retroceso para que el aceite proteja al cilindro. Instalar una bujía nueva en el cilindro. Tirar del arrancador de retroceso lentamente hasta sentir tensión en la cuerda del arrancador. Esto cerrará las válvulas del cilindro.

⚠ ADVERTENCIA

NO conectar el cable de la bujía a la bujía al almacenar la unidad.

4. Limpiar la segadora. Retirar toda suciedad, hojas, despojos, grasa, etc., de la segadora. Incluir las aletas de enfriamiento del cilindro, los agujeros de la cubierta del arrancador de retroceso, debajo del tanque del combustible, y debajo del silenciador.
5. Revisar la segadora para determinar si hay piezas gastadas o dañadas. Hacer que las piezas dañadas sean reemplazadas, si fuera necesario.
6. Apretar toda pieza holgada.
7. Aplicar lubricación como lo indica la sección Mantenimiento.
8. Poner la unidad en un edificio que tenga buena ventilación.

Servicio técnico

Es posible que tenga otras dudas para el ensamblaje, la operación o el mantenimiento de esta recortadora. En este caso, puede ponerse en contacto con nuestro Departamento de servicio técnico al 1-800-737-2112 (solamente en inglés).

Puede también escribir a:

METL - SOLAMENTE CORRESPONDENCIA

ATTN: Servicio técnico – METL

6700 Wildlife Way

Long Grove, IL 60047

Al ponerse en contacto con Departamento de servicio técnico, prepare:

- Su nombre
- Su dirección
- Su número de teléfono



**Si necesita ayuda o tiene una duda,
LLAME SIN COSTO AL: 1-800-737-2112.**

- El número del modelo del producto
- La fecha de compra (incluyendo una copia del recibo para requisitos escritos).
- Código de fecha sobre la unidad

Diagnóstico y resolución de problemas

• Conserve todas las instrucciones

PROBLEMA	CAUSAS POSIBLES	SOLUCIONES
Dificultad para arrancar el motor	<ol style="list-style-type: none"> 1. Sin combustible 2. No se ha cebado el motor 3. Motor ahogado 4. El cable de la bujía está desconectado 5. Palanca o cable defectuoso de control del regulador 6. Bujía hollinada 7. Filtro de aire obstruido 8. Carburador sucio 9. Combustible contaminado 	<ol style="list-style-type: none"> 1. Agregar combustible fresco 2. Oprimir el bulbo de cebado 3 veces, esperar 2 segundos entre cada pulsación. 3. Esperar varios minutos antes de arrancarla. 4. Conectar a la bujía el cable de la misma. 5. Inspeccionar la palanca y el cable. Reemplazarlos si fuera necesario. 6. Retirar la bujía. Inspeccionarla. Reemplazarla si fuera necesario. 7. Retirar y limpiar el filtro de aire. 8. Llevar la unidad a un centro de servicio autorizado para limpieza del carburador. 9. Drenar el tanque de combustible. Limpiarlo. Llenarlo con combustible fresco.
<p><u>Engine Problems</u> El motor emite humo excesivamente La marcha del motor es muy "irregular". Marcha errática del motor El motor no puede mantener velocidad plena.</p>	<ol style="list-style-type: none"> 1. Sin aceite de motor 2. Nivel inadecuado del aceite del motor 3. Bujía hollinada 4. Filtro de aire obstruido 5. Carburador desajustado 6. Combustible contaminado 	<ol style="list-style-type: none"> 1. Agregar aceite para motor 2. Revisar el aceite del motor. Agregar o drenar aceite para motor si fuera necesario. 3. Retirar la bujía. Inspeccionarla. Reemplazarla si fuera necesario. 4. Retirar y limpiar el filtro de aire. 5. Llevar la unidad a un centro de servicio autorizado para ajuste del carburador. 6. Drenar el tanque de combustible. Limpiarlo. Llenarlo con combustible fresco.
Vibración excesiva / Ruido	<ol style="list-style-type: none"> 1. Piezas flojas 2. Hilos de segadora de longitud desigual 3. Problemas del motor (arriba) 	<ol style="list-style-type: none"> 1. Apretar todos los sujetadores. 2. Reemplazarlos con hilos de igual longitud para segadora. 3. Consultar las soluciones para el motor (arriba).
El motor sobrecalienta	<ol style="list-style-type: none"> 1. Sistema de enfriamiento obstruido 2. Problemas del motor (arriba) 	<ol style="list-style-type: none"> 1. Retirar despojos del arrancador de retroceso y aletas de enfriamiento. 2. Consultar las soluciones para el motor (arriba).
El motor no para.	Barra de control o cable defectuoso	Inspeccionar la palanca y el cable. Reemplazarlos si fuera necesario.
Rendimiento deficiente de la segadora	<ol style="list-style-type: none"> 1. El hilo de la segadora es demasiado corto. 2. Problemas del motor (arriba) 	<ol style="list-style-type: none"> 1. Reemplazar con un hilo de longitud correcta (56 cm [22 pulgadas]). 2. Consultar las soluciones para el motor (arriba).
El cabezal de la segadora no retiene el hilo	<ol style="list-style-type: none"> 1. Hilo de segadora no instalado apropiadamente 2. Retenedor de hilo averiado 3. Tamaño incorrecto del hilo 4. El hilo de la segadora es demasiado quebradizo 	<ol style="list-style-type: none"> 1. Seguir las instrucciones en la sección de mantenimiento sobre cómo instalar el hilo. 2. Ordenar el reemplazo de la unidad del cabezal de la segadora. 3. Utilizar un hilo de 4 mm (0.155 pulgadas) 4. Utilizar un hilo que ha estado sumergido en agua.

Garantía

• *Conserve todas las instrucciones*

A *Garantía limitada de la SEGADORA Southland® PARA CAMPO ABIERTO*

Al contactar la fábrica, siempre especificar el número del modelo.

Nos reservamos el derecho de enmendar estas especificaciones en cualquier momento y sin aviso previo. La única garantía pertinente es nuestra garantía estándar por escrito. No ofrecemos ninguna otra garantía, expresa o implícita. MAT Engine Technologies, LLC garantiza que esta Segadora para campo abierto y todas las piezas de la misma, carecerán de defectos en materiales y mano de obra durante dos años (90 días para uso comercial) a partir de la fecha de compra original en un concesionario autorizado, siempre y cuando se haya dado mantenimiento adecuado al producto y se lo haya operado de conformidad con todas las instrucciones pertinentes. Se extiende esta garantía únicamente al comprador al por menor original. Se ha de presentar el contrato de venta o prueba de compra al efectuarse una reclamación bajo esta garantía. Esta garantía no cubre uso industrial o de alquiler, y asimismo, no es pertinente a piezas que no estén en su condición original debido a desgaste normal o piezas que fallan o sufren averías como resultado de uso indebido, accidente, falta de mantenimiento apropiado, manipulación imprudente y peligrosa, o alteración. Excepciones al periodo regular de la garantía pueden ser: artículos de desgaste normal como, hojas cortantes, cabezales de hilos, hojas para barrenas, filtros de aire y bujías que están solamente cubiertos por 60 días contra defectos de materiales o de mano de obra. Los costos de viaje, manipulación, transporte e incidentales asociados con reparaciones bajo garantía no son reembolsables bajo esta garantía y son responsabilidad del propietario. Hasta donde lo permita la ley de la jurisdicción que gobierne la venta de este producto, esta garantía expresa excluye cualesquier y toda otra garantía expresa y limita la duración de cualesquier y toda garantías implícitas, incluyendo las garantías de comerciabilidad e idoneidad para un propósito específico durante dos años a partir de la fecha de compra original, y por la presente, se limita la responsabilidad de MAT Engine Technologies, LLC al precio de compra del producto y MAT Engine Technologies, LLC no será responsable por ningún otro daño en lo absoluto, incluyendo daños incidentales o emergentes. Algunos estados no permiten limitaciones sobre la duración de una garantía implícita, ni la exclusión o limitación de los daños emergentes, por lo cual la limitación de daños anterior podría no ser pertinente en algunos casos. Esta garantía brinda al comprador original derechos jurídicos específicos.

Para obtener información sobre esos derechos, por favor consultar las leyes estatales pertinentes.

METL - SÓLO CORRESPONDENCIA
Atención: Servicio Técnico - METL
6700 Wildlife Way
Long Grove, IL 60047

La garantía del sistema de control de emisiones contaminantes está proporcionada por el fabricante del motor y está incluida con este producto y administrada por MAT Engine Technologies, LLC.

Si se tiene alguna pregunta sobre la cobertura del propietario al amparo de esta garantía, ponerse en contacto con Servicio al cliente de METL:



**Si se necesita ayuda o se tienen preguntas,
LLAMAR GRATUITAMENTE AL: 1-800-737-2112**