

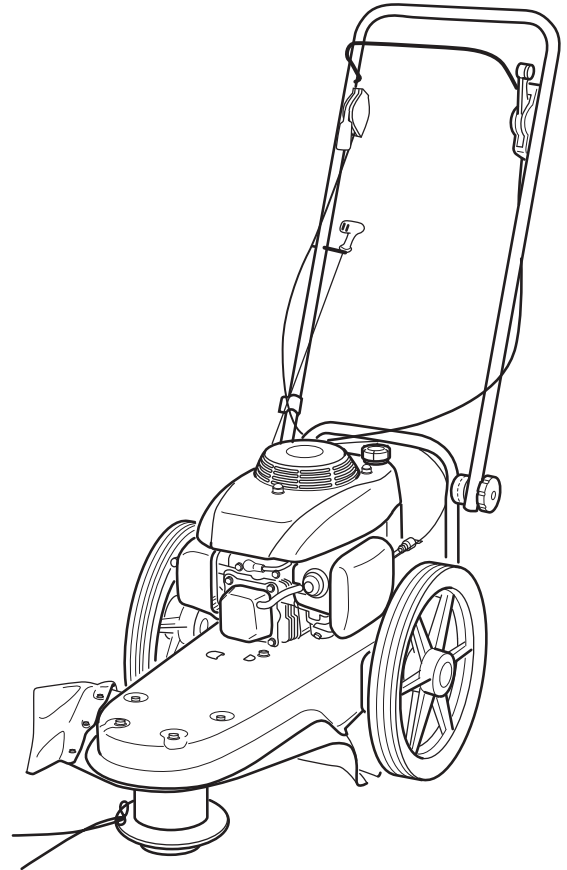


Operator's Manual FIELD TRIMMER 160 cc, 4 Cycle

MODEL Nos. S-WFT-16022-[E]
S-WFT-16022

Look Inside for:

	Page
Safety Definitions	1
Important Safety Information	2-4
Specifications	5
Features	5
Assembly	6
Engine Preparation	7-8
Operation	9-12
Maintenance	13-18
Technical Service	18
Troubleshooting	19
Warranty	20-23
Español	24



IMPORTANT:

Thank you for purchasing this Southland™ Trimmer.

This manual provides complete instructions for safely operating and maintaining your Trimmer. Read and save these instructions. Refer to this manual each time before using your Trimmer.

Record the following for future reference:

Mfg. Date Code: _____

Date of Purchase: Attach a copy of your sales receipt.

Consumer Toll Free Number: 1-800-737-2112

WARNING

This product contains one or more chemicals known to the State of California to cause cancer and birth defects or other reproductive harm. Wash hands after handling.



If you have a question or problem...

CALL TOLL FREE: 1-800-737-2112




KEEP THIS MANUAL FOR FUTURE REFERENCE

Safety Definitions

• Save these instructions













Safety Alert Symbols

The following symbols are used on the product and in this manual to alert the operator of potential safety hazards. Read them carefully, and understand their meaning.









 DANGER	Indicates an imminently hazardous situation which, if not avoided, will result in death or serious injury.
 WARNING	Indicates a potentially hazardous situation which, if not avoided, could result in death or serious injury.
 CAUTION	Indicates a potentially hazardous situation which, if not avoided, may result in minor/moderate injury, or equipment/property damage.

The following symbols can be found on your trimmer. Carefully read and understand their meaning.

Safety Warning Symbols

	Indicates WARNING, DANGER, or CAUTION.		Wear eye protection complying with ANSI Z87.1 and hearing protection.
	Read operator's manual before operating this machine. Failure to follow directions could result in serious injury.		Disconnect spark plug wire when not in use or before servicing, cleaning, or performing maintenance on the unit.
	Thrown objects. Remove all rocks, stones, and foreign objects which could be thrown by machine		Rotation direction of trimmer line
	Keep bystanders at a safe distance (15m /50 ft). NEVER use if children are present.		Engine exhaust contains carbon monoxide, an odorless and deadly gas. NEVER run unit indoors or in a poorly ventilated area.
	Do NOT trim up and down slopes. Trim across slopes.		Do NOT touch hot muffler or cylinder. These parts are extremely hot from operation and may remain hot for a short time after operation.
	Rotating parts can cause serious injury. Keep hands and feet away.		To reduce risk of fire, clean spilled gas and oil and keep unit free from debris. Gasoline is extremely flammable. Allow machine to cool before refueling.

Control and Operating Symbols

	Oil Fill Location Do Not Overfill		Gasoline Fill Location
	Slow Throttle		Fast Throttle / Start Position
	Engage Trimmer Head		Disengage Trimmer Head
	Engine Stop		Push primer 3 times before starting a cold engine. Important: Do not prime to restart a warm engine.

Important Safety Information

• Save all instructions

RESPONSIBILITY OF THE OWNER

1. Carefully read and follow these safety instructions. Failure to do so can result in serious injury.
2. Know your product. Read and understand this manual before use. Compare the illustrations to unit. Learn location and function of all controls. Thoroughly understanding the unit before use will result in the best performance and safety.
3. Follow all instructions when assembling the unit. If the unit was purchased in assembled condition, the operator must check the unit carefully to make sure it was assembled according to the instructions in the manual before use.
4. Regularly inspect the trimmer. Make sure parts are not bent, damaged, or loose.
5. Use this equipment for its intended purpose only.
6. Operate the unit only with guards, shields, and other safety items in place and working correctly.
7. Service the unit only with authorized or approved replacement parts.
8. Complete all unit maintenance and adjustments according to the instruction in this manual.

WARNING

Look for this symbol to point out important safety precautions. It means: "Attention! Become Alert! Your Safety Is Involved."

WARNING

Engine Exhaust, some of its constituents, and certain vehicle components contain or emit chemicals known to the State of California to cause cancer and birth defects or other reproductive harm.

WARNING

To prevent accidental starting when setting up, transporting, adjusting or making repairs, always disconnect spark plug wire and put wire where it cannot contact the spark plug.

PREPARATION SAFETY

WARNING

- Read, understand, and follow all instructions on this machine and in this manual. Be thoroughly familiar with the controls and the proper use of the trimmer before starting. Know how to stop the engine quickly.
- Familiarize yourself with all the safety and operating decals on this equipment.

WARNING

- Thoroughly inspect the area where the trimmer is to be used and remove all foreign objects. Your equipment can propel small objects at high speed causing personal injury or property damage. Stay away from breakable objects, such as house windows, auto glass, greenhouses, etc.
- Inspect the throttle control lever and cable. Make sure that the cable is free and that the lever is not damaged. Also check the cable linkage running to the carburetor for kinks, loose fittings, and obstructions. Verify that the bail is working properly.
- Check that all nuts and bolts are tight and equipment is in good condition. Check mounting hardware on trimmer head every time you change trimmer line and prior to each use.

OPERATION SAFETY

- Never allow children or young teenagers to operate the trimmer.

WARNING

- Keep area of operation clear of all bystanders, particularly small children and pets.
- Only allow responsible individuals, who are familiar with the instructions, to operate the trimmer.

WARNING

- Do not operate the trimmer while under the influence of alcohol, drugs, or other medication which can cause drowsiness or affect your ability to operate this machine safely.
- Do not use this machine if you are mentally or physically unable to operate the machine safely.

Important Safety Information (Continued)• **Save all instructions**

- Always wear ANSI compliant safety goggles or safety glasses with side shields when operating trimmer to protect your eyes from foreign objects, which can be thrown from the unit.
- Wear appropriate clothing such as a long sleeved shirt or jacket. Also wear long trousers or slacks. Do NOT wear shorts. Do NOT wear loose clothing, which could get caught in this equipment.
- Always wear work gloves and sturdy footwear such as leather work shoes or short boots. These will protect ankles and shins from small sticks, splinters, and other flying debris, and improve traction.
- It is advisable to wear protective headgear to protect against being struck by small flying particles, or being struck by low hanging branches, twigs, or other objects, which may be unnoticed to the operator.

⚠ WARNING

- Do not put hands or feet near or under rotating parts.
- When crossing gravel drives, walks, or roads, stop the rotating trimmer head and wait for the trimmer lines to stop. Exercise extreme caution. Stay alert for hidden hazards or traffic.

⚠ WARNING

- Exercise caution to avoid slipping or falling. Never operate trimmer in wet grass. Always be sure of your footing; keep a firm hold on the handle and walk; never run.
- Look behind and use care when backing.
- Never operate the trimmer without good visibility or light.

⚠ DANGER

- Do not run the engine indoors or inside a closed area. The exhaust fumes are dangerous, containing CARBON MONOXIDE, an ODORLESS AND DEADLY GAS.
- Never leave the trimmer unattended when the engine is running. Stop the engine and make sure all moving parts have stopped. Remove the wire from the spark plug.
- If the trimmer should start to vibrate abnormally, stop the engine, disconnect the spark plug wire and prevent it from touching the spark plug. Check immediately for the cause. Vibration is generally a warning of trouble.
- Watch for holes, ruts, bumps, or other rough ground. Tall grass can hide obstacles.

⚠ WARNING

- Frequently clean debris and grass build up from the recoil starter cover holes, under the deck in the trimming head area, and around the muffler. Using the unit with excessive debris can risk fire. Always use extreme caution when using the trimmer during dry conditions.

⚠ WARNING

- Do not trim excessively steep slopes (maximum 15 degrees). See the "Slope Guide" in the back of this manual to check a slope.
- Always trim across the face of slope; never up and down. Exercise extreme caution when changing direction on slopes. If you are uneasy on a slope, do NOT trim it.
- Do NOT trim near drop-offs, ditches, or embankments. The operator could lose footing or balance.

FUEL SAFETY**⚠ WARNING**

- Gasoline is extremely flammable, and gasoline vapors can explode if ignited. Handle with Care.
- Use an approved container.
- Check fuel supply before each use, allowing space for expansion as the heat of the engine and/or sun can cause fuel to expand.
- Fill fuel tank outdoors with extreme care. Never fill fuel tank indoors.
- Never remove gas cap or add fuel with the engine running. Allow engine to cool before refueling.

⚠ WARNING

- Do not smoke while refueling.
- After refueling, replace fuel tank cap securely and wipe up spilled fuel.

Important Safety Information (Continued)• **Save all instructions**

- Never store fuel or trimmer with fuel in the tank inside a building where fumes may reach an open flame.

STORAGE SAFETY

- Always refer to the owner's manual instructions for important details if the trimmer is to be stored for an extended period.
- Never store the trimmer with fuel in the fuel tank inside a building where ignition sources are present such as water heaters, space heaters, clothes dryers, etc.
- To reduce fire hazard, keep trimmer free of grass, leaves, or other debris build-up.
- Allow the engine to cool before storing in any enclosure.

REPAIR, MAINTAINANCE, AND ADJUSTMENT SAFETY

- After striking a foreign object, stop the engine. Remove the wire from the spark plug and keep the wire away from the plug to prevent accidental starting. Thoroughly inspect the trimmer for any damage. If damaged, have the equipment repaired by a trained technician before restarting and operating.

⚠ WARNING

- Stop the engine before cleaning, repairing, or inspecting the unit. Make sure all moving parts have stopped. Let the engine cool, disconnect the spark plug wire and move it away from the spark plug.
- Never attempt to make any adjustments while the engine is running except when specifically recommended by the manufacturer.
- Keep the trimmer in safe working condition. Check all fasteners at frequent intervals for proper tightness.
- When servicing or repairing the trimmer, do not tip the machine over or up unless specifically instructed to do so in this Manual. Service and repair procedures can be done with the trimmer in an upright position. Some procedures will be easier if the machine is lifted on a raised platform or working surface.
- Use only original equipment or authorized replacement parts.

⚠ WARNING

- Never tamper with safety devices. Check their proper operation regularly.
- Do not change the engine governor setting or over-speed engine.
- Clean and replace safety and instruction decals as necessary.
- To guard against engine over-heating, always have engine debris filter mounted and clean.

CHILDREN SAFETY**⚠ WARNING**

- Tragic accidents can occur if the operator is not alert to the presence of children. Children are often attracted to the trimmer and the trimming activity.
- Keep children out of the trimming area and under the watchful care of a responsible adult.
- Never assume that children will remain where you last saw them.
- Be alert and turn trimmer off if children enter the area.
- Before and while moving backwards, look behind and down for small children.
- Never allow children to operate the trimmer.
- Use extra care when operating blind corners, shrubs, trees, or other objects that may obscure vision.

Specifications

• Save all instructions

<u>UNIT</u>	<u>ENGINE</u>
Unit Weight..... 68 lb. (31 kg)	Type..... 4 Stroke, OHV
Cutting Swath..... 22 in. (599 mm)	Displacement..... 160 cc
Cutting Line Diameter..... 0.155 in. (4 mm)	Torque Rating.....
Wheel Diameter..... 14 in. (356 mm)	6.25 ft/lbs gross torque per SAE J1940
Cutting Height..... 1.5-3.0 in. (38-76 mm)	Bore Diam. x Stroke..... 2.52 x 1.97 in. (64 x 50 mm)
Gasoline Type..... Regular Unleaded – 88 Octane (min.)	Intake Valve Clearance . .0.0031-0.0047 in. (0.08-0.12 mm)
Gasoline Capacity..... 0.95 qt. (0.9 L)	Exhaust Valve Clearance .0.0051-0.0067 in. (0.13-0.17mm)
Oil Type (API SG-SL).....	Angle of Ignition..... 18 Degrees
10W-30 is recommended for all service temperatures. See page 7 for additional information.	Full Throttle RPM..... 3000
Oil Capacity..... 17 oz. (503 ml)	Idle Speed RPM..... 2200
Spark Plug Model..... Torch F6RTC	
Spark Plug Gap..... 0.028-0.031 in. (0.7-0.8 mm)	

Features

1. **Trimmer Head Drive Lever** Engages the rotation of the trimmer head.
2. **Start Lever** Release to stop the rotation of the trimmer head.
3. **Throttle Control Lever** Controls the engine speed and stops the engine.
4. **Recoil Starter Handle** The engine is equipped with an easy pull recoil starter.
5. **Recoil Starter Cover** Covers recoil starter mechanism. Holes allow air intake to cooling system.
6. **Spark Plug/Spark Plug Wire** Provides spark to ignite air/fuel mixture. The spark plug wire must be moved away from the spark plug when servicing the unit.
7. **Muffler** Location of engine exhaust
8. **Trimmer Guard** Protects the operator from thrown debris. Blade mounted on guard will automatically cut trimmer line to correct length if line is too long.
9. **Trimmer Line** Rotating cutting element of trimmer.
10. **Trimmer Head** Rotates the trimmer lines. Sets the height of the cut.
11. **Primer Button** Injects fuel directly into the carburetor for faster starts.
12. **Air Filter** Removes debris and contaminants from intake air, allowing engine to run smoothly with low exhaust.

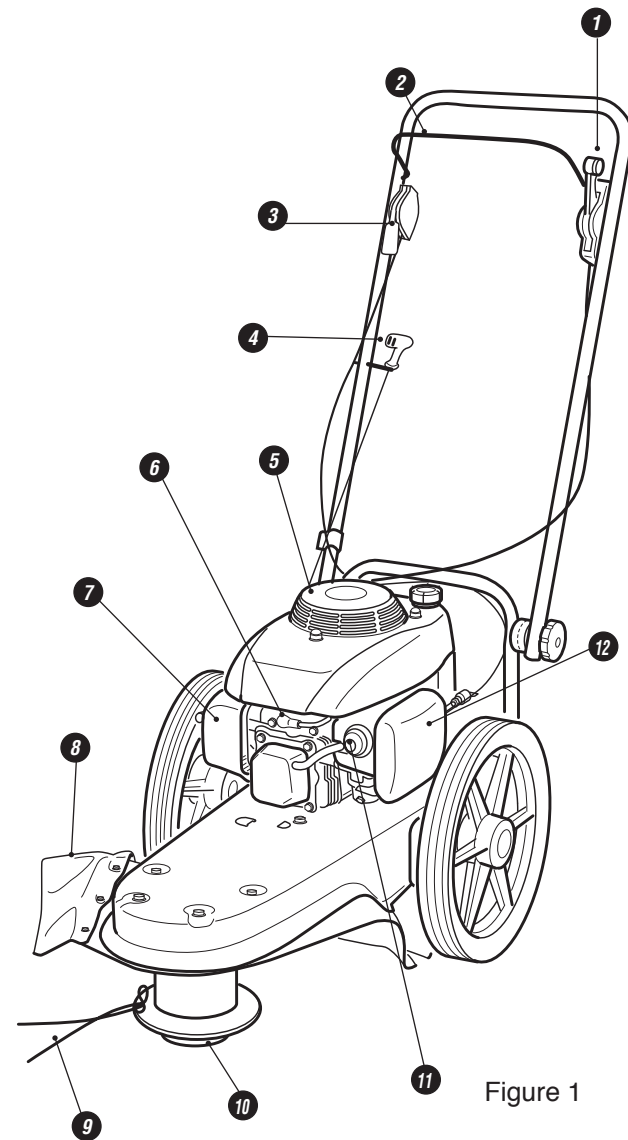


Figure 1

Assembly

• Save all instructions



If you need assistance or find any parts missing, CALL TOLL FREE: 1-800-737-2112.

Read and follow the assembly instructions. Do not discard any parts or materials until the unit is assembled. References to the right or left side of the trimmer are from the viewpoint of the operator's position behind the trimmer.

⚠ WARNING

Do not operate trimmer if it is damaged or not completely and correctly assembled.

⚠ WARNING

Before doing any assembly or maintenance to the unit, remove the wire from the spark plug. The following components will be found in the carton. Quantities shown in ().

- (1) Trimmer
- (1) Trimmer Operator's Manual
- (1) Container of SAE 30 Engine Oil
- (1) T-Handle Allen Wrench
- (4) 0.155 in. [4 mm] Trimmer Lines (2 sets)

How to Assemble the Handle

NOTE: Refer to Figure 2 when following the steps below

1. Hold the handle with one hand and loosen both handle adjustment knobs until the ratchet teeth are disengaged. Do not remove the handle adjustment knobs.
2. Press sides of handle apart and rotate the handle to the desired position behind the trimmer.
3. Stand in the operator's position behind the trimmer to make sure handle is adjusted to a comfortable position
4. Firmly hand-tighten the handle adjustment knobs.
5. To attach the recoil start handle to the rope guide, twist the rope through the rope guide mounted on the right side of the handle.

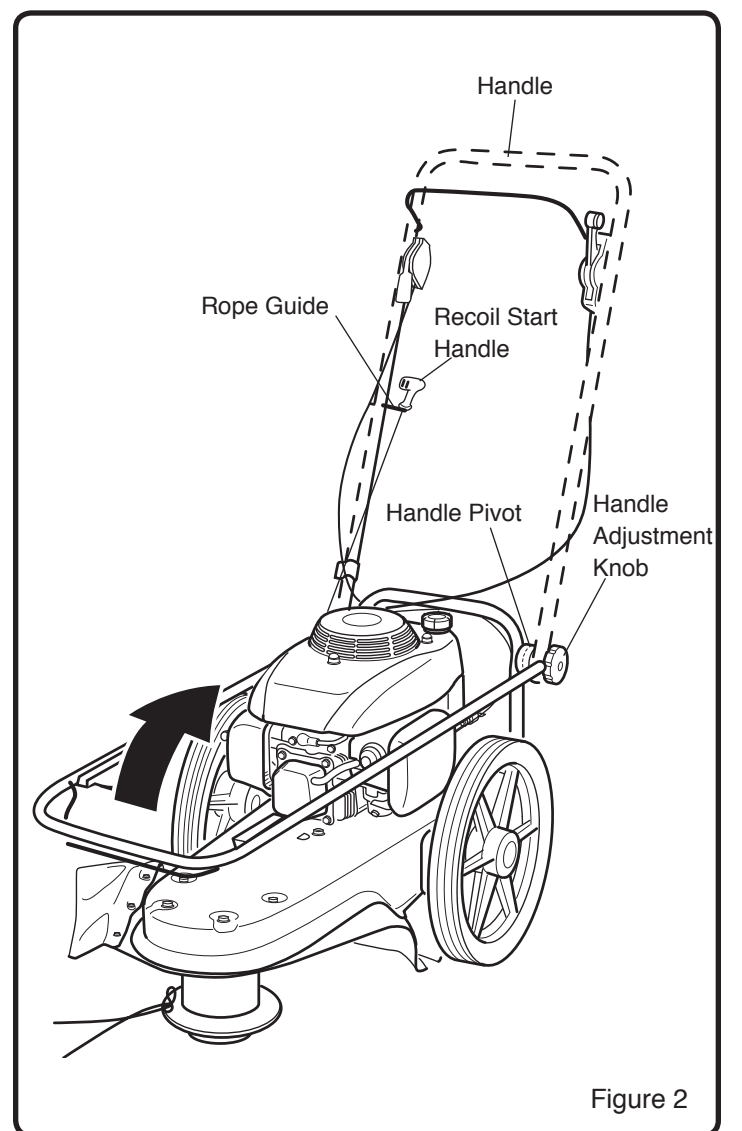


Figure 2

Engine Preparation

• Save all instructions

A Engine Oil

CAUTION

- Engine shipped without oil. Failure to add oil will result in serious engine damage.

A bottle of SAE 30 engine oil is included with your Trimmer. Refer to Figure 3 for alternative oil types to use at different temperatures. Always use a high quality detergent oil classified "For Service, SG, SH, SJ" or higher. Do not use special additives.

CAUTION

Always use recommended oil type. Using dirty oil or incorrect oil type such as 2-stroke engine oil will shorten engine life.

NOTE: Engine Oil Capacity is 17 oz. (503 ml). For first time fill, simply add the entire contents of the provided oil bottle to the crankcase.

HOW TO CHECK OIL LEVEL AND FILL TO PROPER LEVEL

WARNING

Before checking oil, make sure engine is off, and spark plug wire has been disconnected from spark plug.

1. Place trimmer on a level surface.
2. Remove Dipstick and wipe clean with cloth. Refer to Figure 5 for location of Dipstick.
3. Replace Dipstick and do NOT screw it. Remove and check oil level.
4. When oil level is full, the oil will be at upper limit on dipstick. If oil level is near or below the lower limit, oil must be added. (See figure 4)
5. Add oil slowly until the oil level reaches the upper limit of the dipstick. Use a funnel or nozzle to reduce spillage.

CAUTION

Frequently check oil level while filling. DO NOT OVER-FILL. DO NOT UNDERFILL. Running engine at improper oil level will seriously damage engine.

6. Replace and tighten dipstick.
7. Clean up any spilled oil.

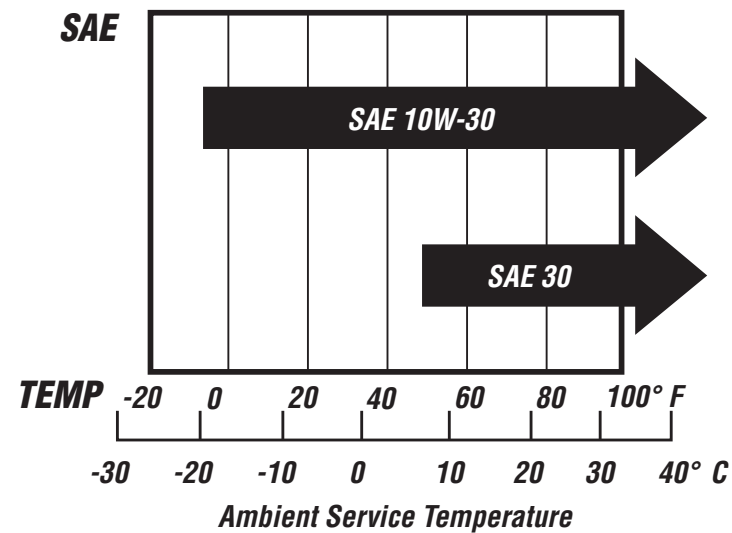


Figure 3

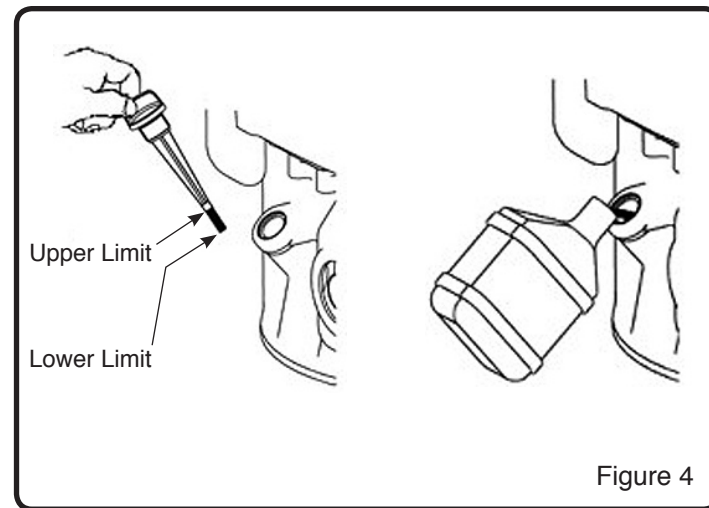


Figure 4

Engine Preparation (Continued)

• Save all instructions

B Fuel

WARNING

- Gasoline is extremely flammable and vapors can explode if ignited. Handle with care.

Use fresh, clean, regular-unleaded gasoline with a minimum of 88 Octane.

Do NOT use leaded gasoline, gasohol, methanol, or diesel fuel. Do NOT mix oil with gasoline. Do NOT allow gasoline to become contaminated with dust, water, or debris.

CAUTION

Using incorrect fuel type or contaminated fuel will cause serious engine damage.

NOTE: Fuel tank capacity is approximately 0.95 qt (0.9L)

HOW TO FILL ENGINE WITH FUEL

WARNING

- Turn engine off and let engine cool for several minutes before removing the fuel cap or adding fuel.
- Never fill fuel tank indoors.
- Do not smoke while adding fuel.

1. Clean surface around fuel tank cap to prevent contaminations. Refer to Figure 5 for location of fuel cap.
2. Loosen fuel cap slowly to remove.
3. Pour fuel into the tank. Use care to avoid spillage.

WARNING

Do NOT OVERFILL fuel. Allow space for the fuel to expand due to heat from engine and/or sun.

4. Before replacing the fuel cap, inspect and clean the fuel cap seal.
5. Replace the fuel cap and securely hand-tighten. On model S-WFT-16022 only, you will feel and hear a click when the cap is secure.
6. Clean up any spilled fuel.

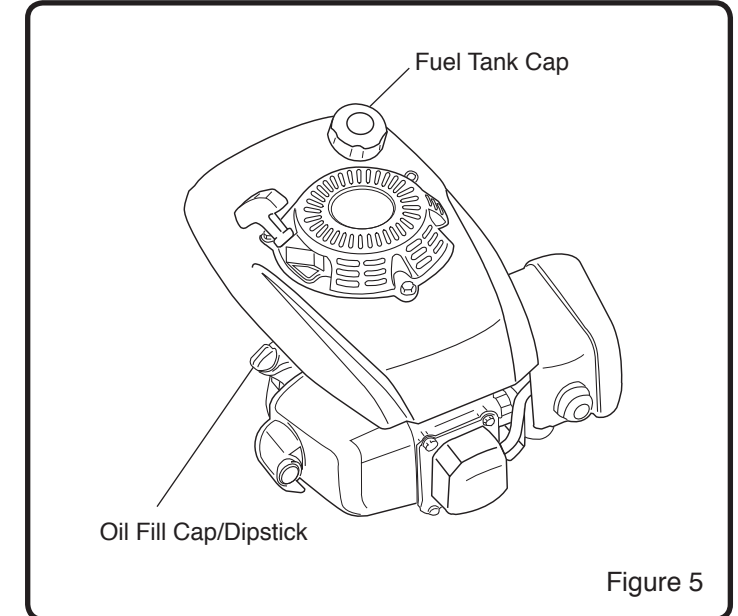


Figure 5

Operation

• Save all instructions

A Before Starting the Engine

⚠ WARNING

Before starting engine, read operator's manual. Become familiar with location and function of all controls. Know how to stop the engine quickly.

Before attempting to start the engine, review the following steps:

1. Unit has been assembled according to all assembly instructions.
2. Unit has been inspected for any damaged or missing components.
3. No parts are remaining in the carton.
4. Engine oil is at proper level.
5. Fresh, clean, regular-unleaded gasoline has been added to fuel tank.
6. Spark plug wire is connected to spark plug.
7. Trimmer has been moved to desired location.
8. Trimmer is on level surface.

⚠ WARNING

Keep all bystanders, especially CHILDREN, away during operation.

IMPORTANT: This unit's engine exhaust system is equipped with a spark-arresting muffler. Tampering with or removing the spark-arrestor violates section 4442 of the California Public Resources Code as well as other applicable state and federal law.

B How to Start the Engine

⚠ DANGER

Never run engine indoors or in a poorly ventilated area. Engine exhaust contains Carbon Monoxide, an ODERLESS and DEADLY gas.

⚠ WARNING

Debris thrown from Trimmer can cause severe eye damage. Always wear ANSI compliant safety glasses or eye shields when operating trimmer. If you wear eyeglasses, put an OSHA certified Wide Vision Safety Mask over your eyeglasses.

⚠ WARNING

Before starting Trimmer, clean debris from holes in the recoil starter cover.

1. Review ALL steps in the "BEFORE STARTING THE ENGINE" section.
2. Push the throttle lever in the forward position. (See Figure 6)
3. Push the Primer Bulb 3 times, waiting 2 seconds between each push. (See Figure 7)

NOTE: Not required when re-starting a warm engine.

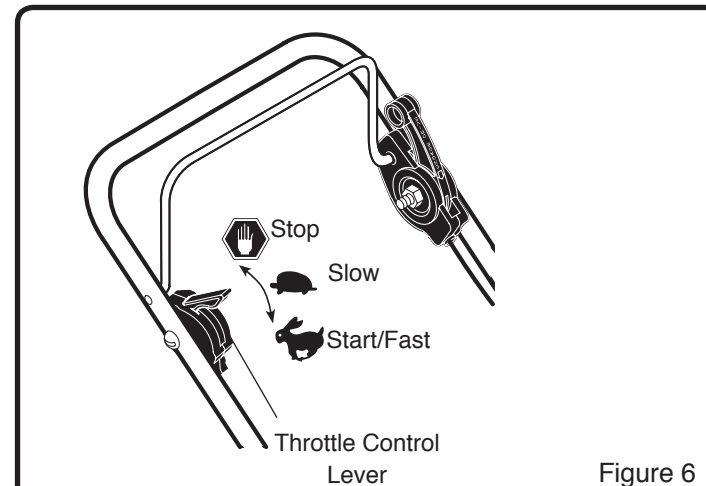


Figure 6

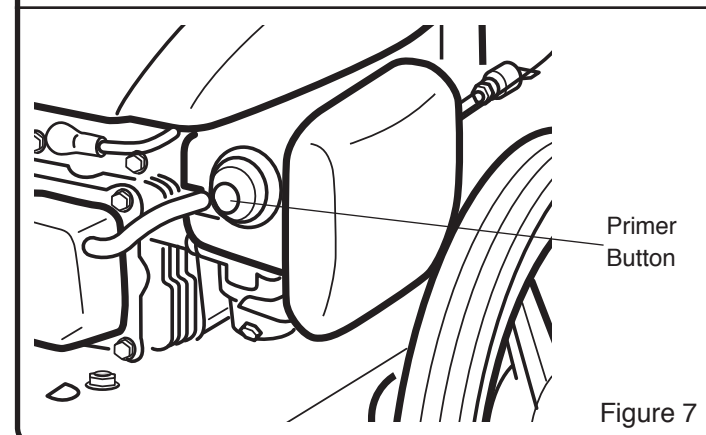


Figure 7

Operation (Continued)

• Save all instructions

4. Firmly grip the Trimmer handle with your left hand, (See figure 8)
5. Firmly grip the Recoil Starter Handle with your right hand. (See Figure 8)
6. Pull the recoil starter slowly, until you feel tension in the starter rope. Then quickly pull the recoil starter handle to completely unwind the starter rope. DO NOT allow the starter rope to snap back. Let the starter rope slowly re wind as you hold the recoil starter handle.
7. If engine fails to start after three pulls, push the primer button two times and again pull the recoil starter handle.
8. If engine fails to start after 5 or 6 more tries, see the instruction in the "Troubleshooting Chart".

⚠ WARNING

Keep hands, feet, hair, and loose clothing away from any moving parts. Avoid touching muffler and surrounding areas – temperatures can exceed 150 degrees. Keep all safety devices and shields in place.

⚠ WARNING

Never leave the Trimmer unattended while the engine is running.

C How to Stop the Engine

Move the throttle lever completely back to the STOP position. (See Figure 6)

D How to Engage the Trimmer Head

1. Start the engine. Refer to "How to Start the Engine" Section.
2. Press and hold the start lever against the handle. (See Figure 9)
3. Press the trimmer head drive lever forward, until it locks into position. (See Figure 9)

E How to Disengage the Trimmer Head

Release the start lever (See Figure 9). This will release the trimmer head drive lever and disengage the trimmer head.

⚠ WARNING

Trimmer line will continue to rotate for several seconds after releasing the start lever. Use Caution.

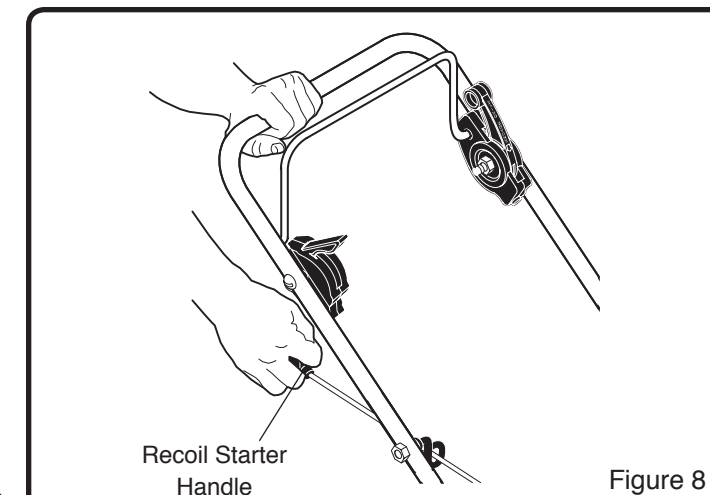


Figure 8

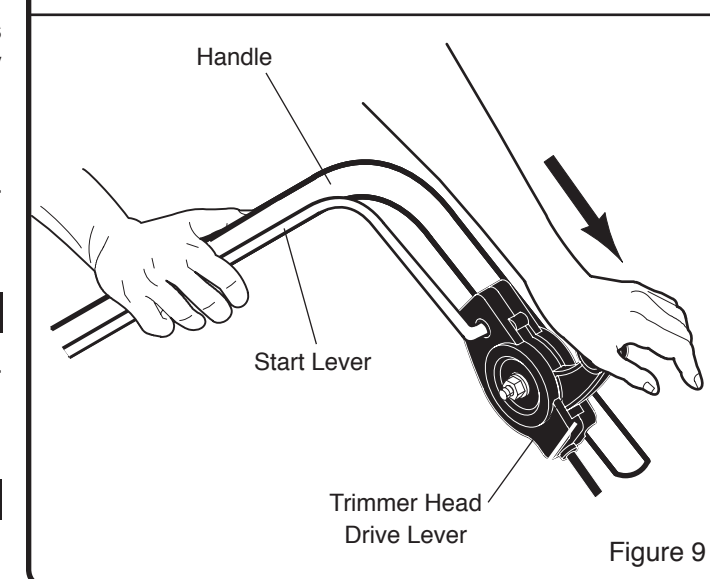


Figure 9

Operation (Continued)

• Save all instructions

F How to Adjust the Height of Cut

⚠ WARNING

Before you adjust the height of cut, stop the engine. Wait for all moving parts to stop. Allow engine to cool and disconnect the spark plug wire.

The height of cut can be set from 1.5 to 3 in. [38-76 mm]. Recommended cutting height for the average yard is 2 in. [51 mm].

1. Use the T-Wrench, found in a parts bag, to loosen the (2) set screws. (See Figure 10)

NOTE: The (2) set screws are only on one side of the trimmer head. If you don't see the set screws, check the opposite side. Both set screws need to be loosened to adjust the height of the cut.

2. Slide the trimmer head up or down for desired height of cut.
3. Tighten both set screws to 7-12 foot-pounds (9.5-16.3 Nm).

TRIMMING TIPS

⚠ WARNING

Debris such as sticks, gravel, and rocks can be thrown with sufficient force to cause personal injury or property damage.

⚠ WARNING

- Frequently clean debris and grass build up from the recoil starter cover holes, under the deck in the trimming head area, and around the muffler. Using the unit with excessive debris can risk fire. Always use extreme caution when using the trimmer during dry conditions.
- If the trimmer lines become too short, it will take longer to complete this job. If the trimmer lines are worn to less than half their original length, change to a new trimmer line. See "How to Replace the Trimmer Line" in the Maintenance section.
- Do not trim on excessively steep slopes. See Slope Guide. If a slope is difficult to stand on, do not trim it. Do not trim on slopes when the ground is slippery or wet. Trim across the face of a slope, not up and down.
- Trimmer head contact to concrete, asphalt and harder surfaces may create premature wear to the height guide.
- For best results and longer lasting line, soak the trimmer line in a pale of water for 24 hours prior to use. A moist line will be more flexible than a dry, brittle line.
- Let the ends of the trimming line do the cutting. This is easily done by moving slowly through very thick or heavy weeds.

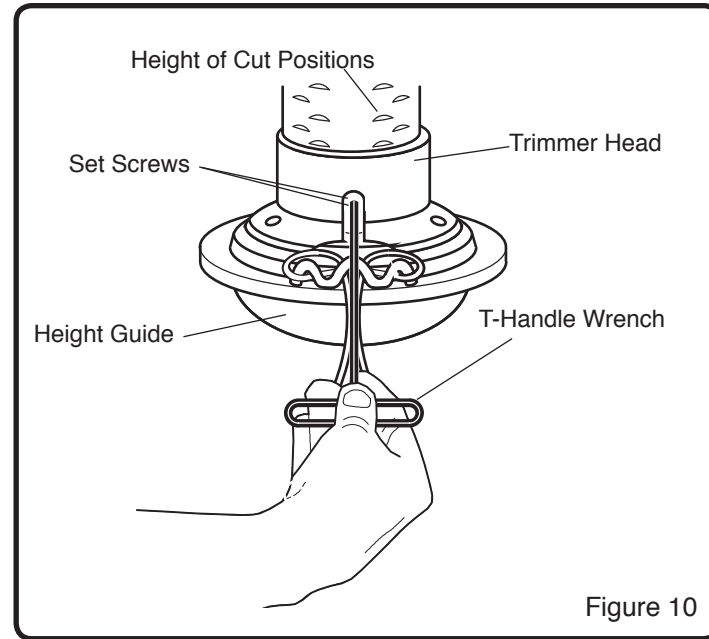


Figure 10

SLOPE GUIDE

SIGHT AND HOLD THIS GUIDE LEVEL WITH A VERTICAL TREE, A CORNER OF A STRUCTURE, A POWER LINE POLE, OR A FENCE.

Operate a trimmer across the face of slopes, never up or down slopes.

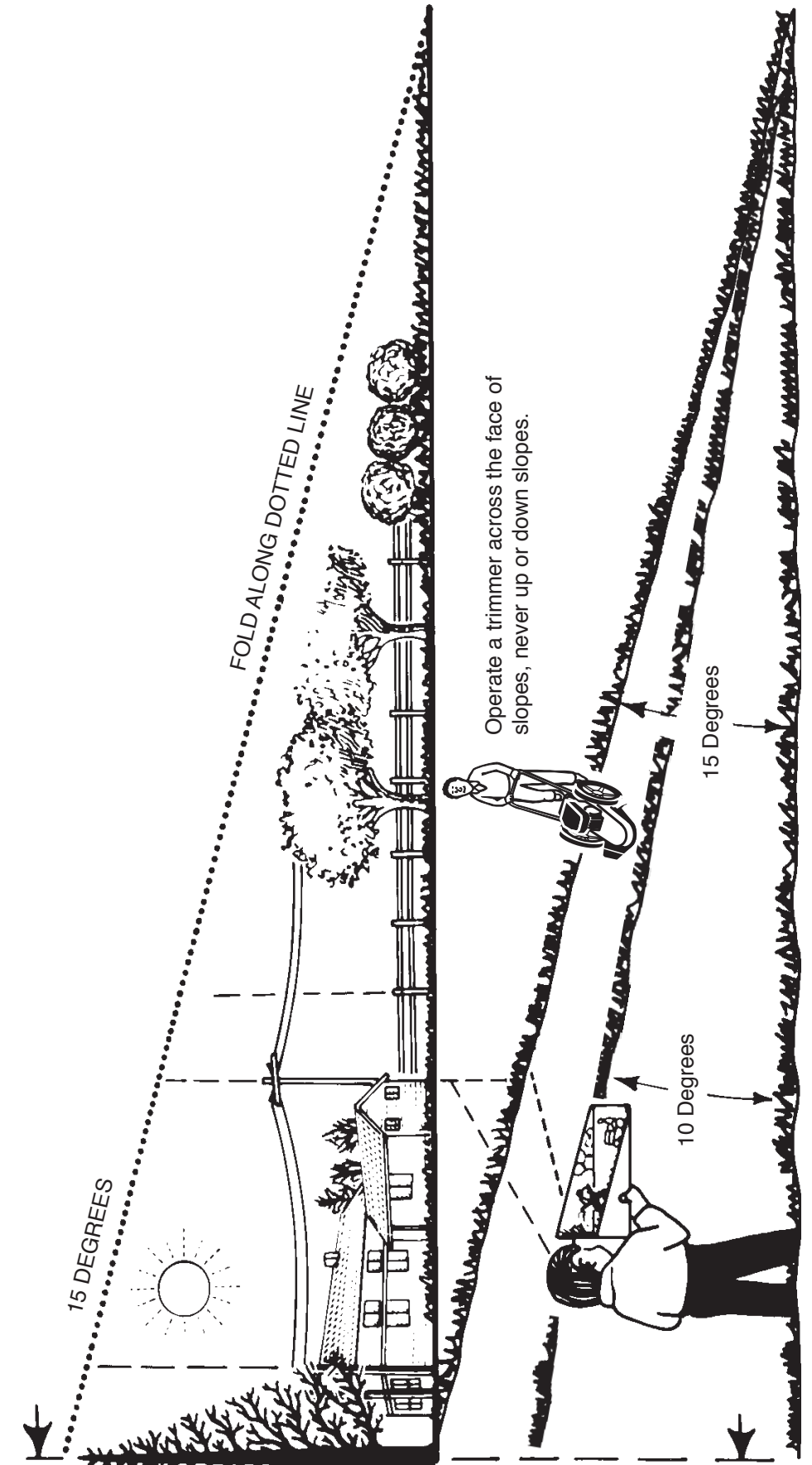
Use this guide and do not trim on a slope greater than 15 degrees.

A 10-degree slope is a hill that increases in height at approximately 1.7 feet in 10 feet.

A 15-degree slope is a hill that increases in height at approximately 2.5 feet in 10 feet.

⚠ WARNING!

Use extreme care at all times and avoid sudden turns or maneuvers. Follow other instructions in this manual for safety in trimming on slopes. Operate a trimmer across the face of slopes, never up or down slopes. Use extra care when operating on or near slopes and obstructions.



Maintenance

• Save all instructions

⚠ WARNING

Before performing any maintenance, turn engine off and remove the wire from the spark plug to prevent accidental starting and serious injury.

IMPORTANT: The warranty on this Trimmer does not cover items that have been subjected to operator abuse or negligence. To receive full value from the warranty, the operator must maintain the trimmer as instructed in this manual, and only use genuine replacement parts. The following table lists required periodic maintenance.

PERIODIC MAINTENANCE SCHEDULE TABLE

Service Records- Fill in dates as you complete regular service	Before Each Use	After Every 10 Hours of Use	After Every 25 Hours of Use	After Every 50 Hours of Use	After Every 100 Hour of Use	Before Each Season	Before Storage	See Note Below
Check Engine Oil Level, Fill to Proper Level	✓					✓		
Check Trimmer Lines and Replace if Necessary	✓					✓		1
Clean Debris From Unit	✓					✓	✓	2
Check Fasteners for Tightness		✓				✓		3
Check Fuel Line Replace if Necessary			✓			✓		
Lubricate Moving Parts			✓			✓	✓	
Check Spark Plug Replace if Necessary			✓			✓		
Check Drive Belt Replace if Necessary			✓			✓		
Clean Air Filter, Replace if very Dirty			✓			✓		4
Change Engine Oil				✓		✓	✓	5, 6
Replace Spark Plug					✓			
Clean Combustion Deposits from cylinder, piston, and valves					✓			

⚠ CAUTION **IMPORTANT NOTES about Maintenance schedule**

- Change Trimmer Lines when they are half original length.
- Frequently clean grass from
 - Holes in recoil starter cover
 - Under deck in the trimmer head area
 - Around muffler
- Re-check fastener tightness after the first 2 hours of initial use.
- Clean air filter every 10 hours if operating under dusty conditions.
- Change engine oil after first 5-8 hours of initial use
- Change oil every 25 hours if operating under heavy load or in high temperatures

⚠ WARNING

Use only GENUINE replacement parts. Other parts may damage the unit or result in injury.

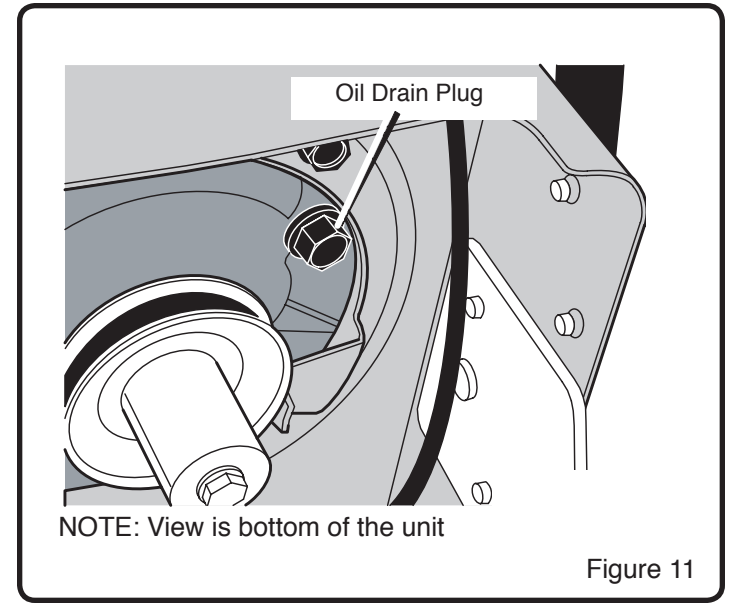
Maintenance (Continued)

• Save all instructions

How to Change the Oil

NOTE: Refer to Figure 11 when following the steps below:

- Stop the engine and allow it to cool.
- Disconnect spark plug wire from the spark plug.
- Insert a flat pan under the Trimmer, underneath the oil drain plug.
- Remove oil dipstick. (See Figure 5)
- Remove the oil drain plug and washer.
- Allow all oil to drain into the pan.
- IMPORTANT:** Used oil is a hazardous waste. Place oil in a sealed container and take to your local recycling center. Do NOT discard with household waste.
- Replace the oil drain plug and washer.
- To re-fill engine with oil, see engine preparation section "How to Check Oil and Fill to Proper Level"



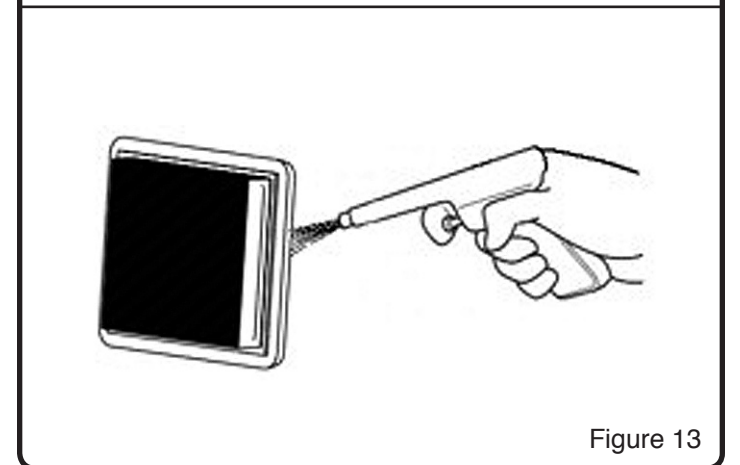
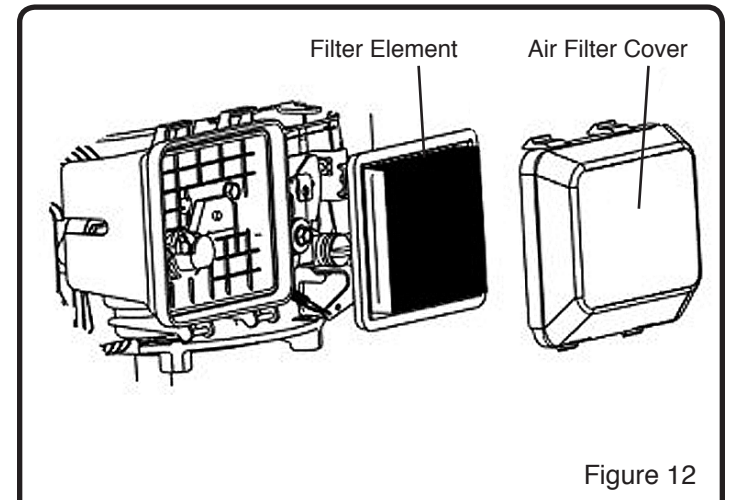
How to Clean the Air Filter

A dirty air filter will restrict air intake. Periodic maintenance of the air filter will help improve engine performance and reduce emissions.

⚠ WARNING

Never clean air filter with gasoline or an easy ignited solvent because it may cause explosion.

- Remove the air filter cover, and carefully remove the filter element. (See Figure 12)
- Clean all parts.
- Blow off dirt from filter element with compressed air. (See Figure 13)
- Reinstall the filter element and air filter cover.



Maintenance (Continued)

• Save all instructions

How to Replace the Trimmer Lines

When the trimmer line becomes worn to half the original length, replace the trimmer line. For the best performance, use a heavy gauge 0.155 in. [4 mm] trimmer line.

1. Stop the engine. Wait for all moving parts to stop.
Disconnect the wire from the spark plug.

2. Remove the worn trimmer line from line retainer.

3. Cut the length of the trimmer line to 21.5 in. [546 mm].

Use the length guide; located on the shield to make sure the trimmer line is the correct length. (See Figure 14)

NOTE: Do not allow the length of the lines to vary more than one inch. Make sure the trimmer head is balanced and does not vibrate.

4. Thread the ends of the new trimmer line through the outside loops. (See Figure 15)

5. Take the ends of the line, cross over the line retainer, and thread the ends through the center hole. (See Figure 16)

6. Then, check to make sure that the ends of the line are even. (See Figure 17)

7. Follow same steps for line on alternate side.

IMPORTANT: To extend the life of the trimmer line, keep the trimmer line moist. If not kept moist, the nylon trimmer line will become dry and brittle. Keep extra trimmer line in a can of water. The line will then stay flexible and easy to change. A flexible line will also last much longer.

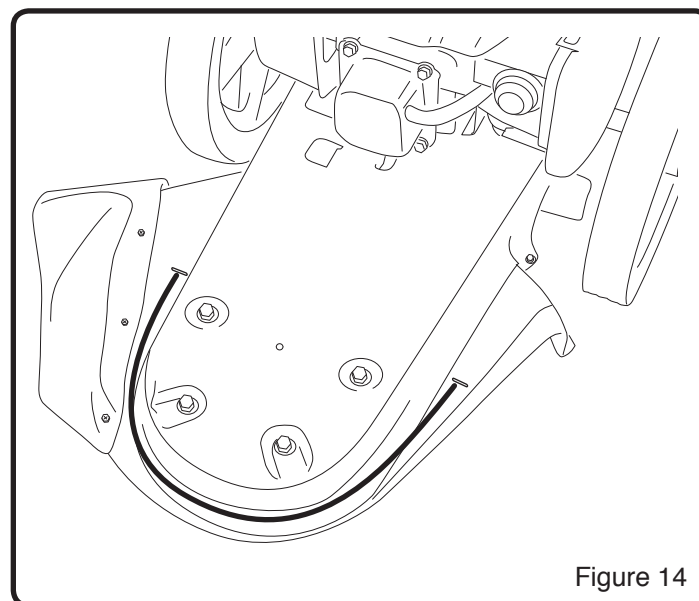


Figure 14

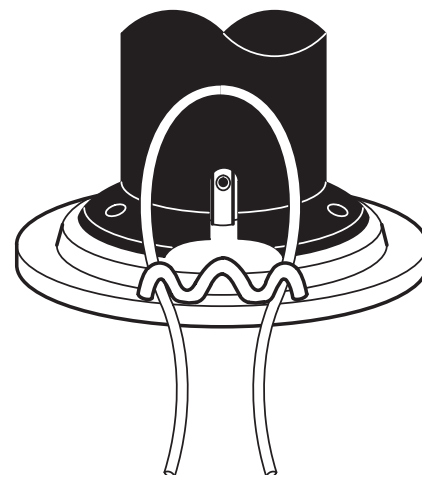


Figure 15

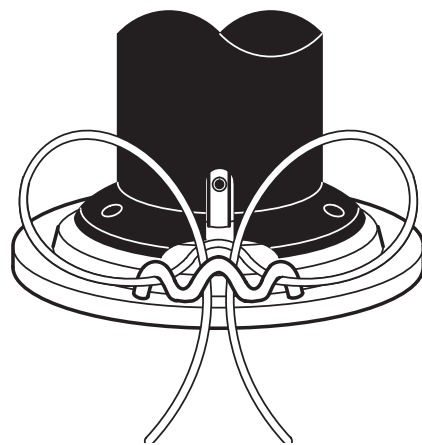


Figure 16

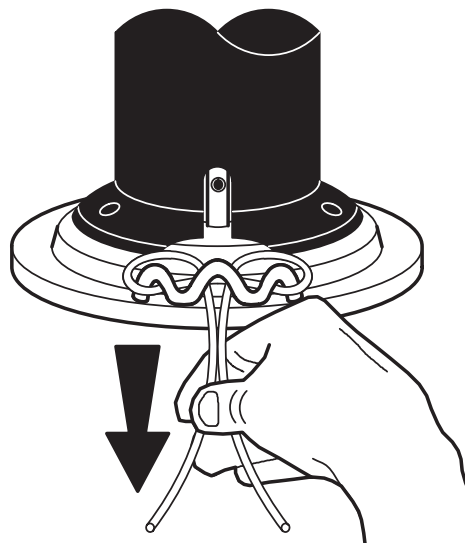


Figure 17

Maintenance (Continued)

• Save all instructions

How to Check the Spark Plug

Spark Plug Model: Torch F6RTC

CAUTION

Only use the recommended spark plug or a spark plug with the same temperature range. Using an improper spark plug, an incorrect spark plug gap, or a dirty/fouled spark plug can reduce engine performance and cause damage.

1. Stop engine and allow it to cool.
2. Remove spark plug wire from spark plug.
3. Remove the spark plug with a 13/16 in. (21 mm) deep well socket.
4. Visually inspect the spark plug for cracks or damage. If cracked, replace spark plug.
5. Clean carbon deposits. If excessive carbon build up, replace spark plug.
6. Check that the gap of the spark plug is 0.028-0.031 in. (0.7-0.8 mm). (Figure 18)
7. Re-insert the spark plug and tighten to 18-22 foot-pounds (25-30 Nm).
8. Reattach spark plug wire to spark plug.

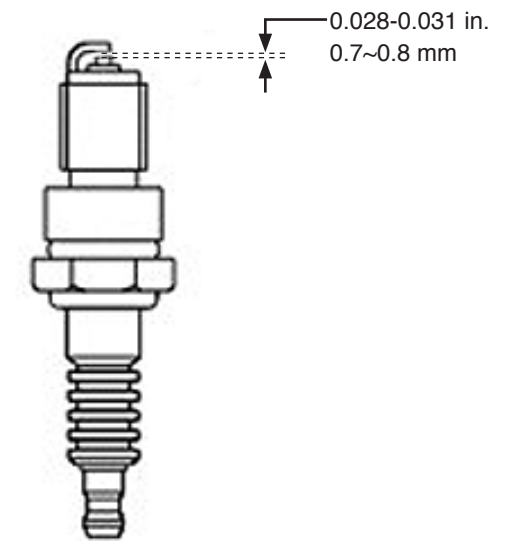


Figure 18

Maintenance (Continued)

• Save all instructions

How to Replace the Drive Belt

⚠ WARNING

Before you remove the drive belt, disconnect the wire from the spark plug.

1. Remove the two fasteners that hold the rear of the shield to the trimmer housing. (See Figure 19)
2. Remove the four fasteners that hold the front of the shield and trimmer head to the trimmer housing.
3. Remove the shield and the trimmer head. (See Figure 19).
4. Remove the "V" Pulley from the idler bracket. (See Figure 20)
5. Raise the front of the trimmer housing and remove the drive belt. Do not bend the belt guides. (See Figure 20)

IMPORTANT: Only use a replacement belt from the manufacturer. To order spare parts call us at 1-800-737-2112

6. To assemble the drive belt, reverse the above steps.
7. The torque specs are
 - 22-40 foot-pounds [30-55 Nm] for the shield fasteners,
 - 27-33 foot-pounds [36.6-44.7 Nm] for the drive pulley mounting bolt, and
 - 18-25 foot-pounds [24.4-34 Nm] for the trimmer head bolts.
8. Check the routing of the drive belt. Make sure the drive belt is inside of all belt guides and that the belt is not twisted. (See Figure 20)

IMPORTANT: Test the drive system. Start the engine and move the throttle control to the FAST position. Engage and disengage the trimmer head several times. When disengaged, make sure the trimmer head completely stops when resting on the ground. If the trimmer head continues to rotate, take the trimmer to an authorized Service Center.

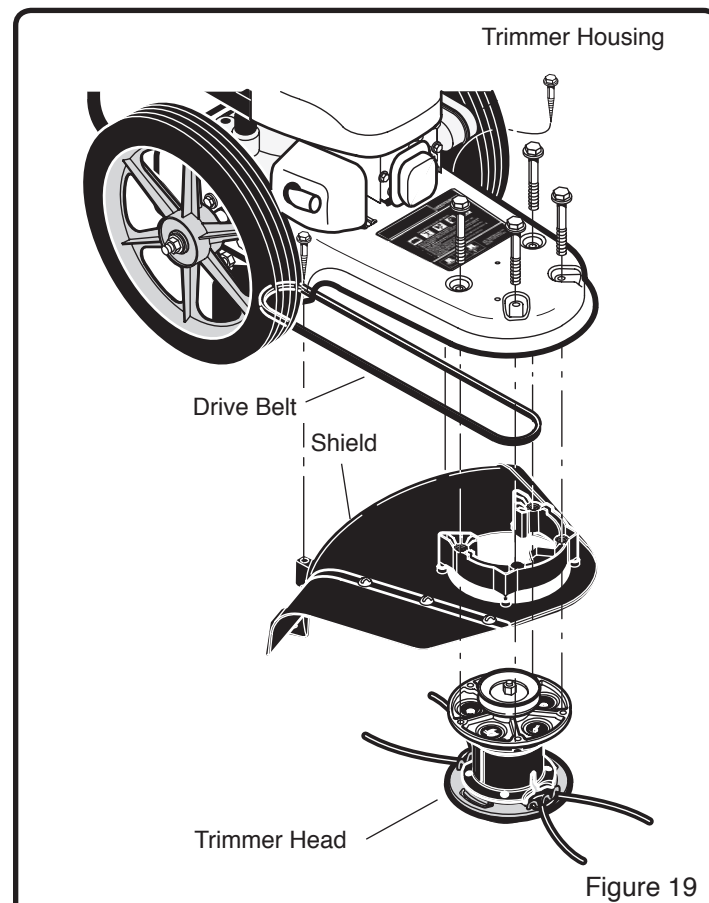


Figure 19

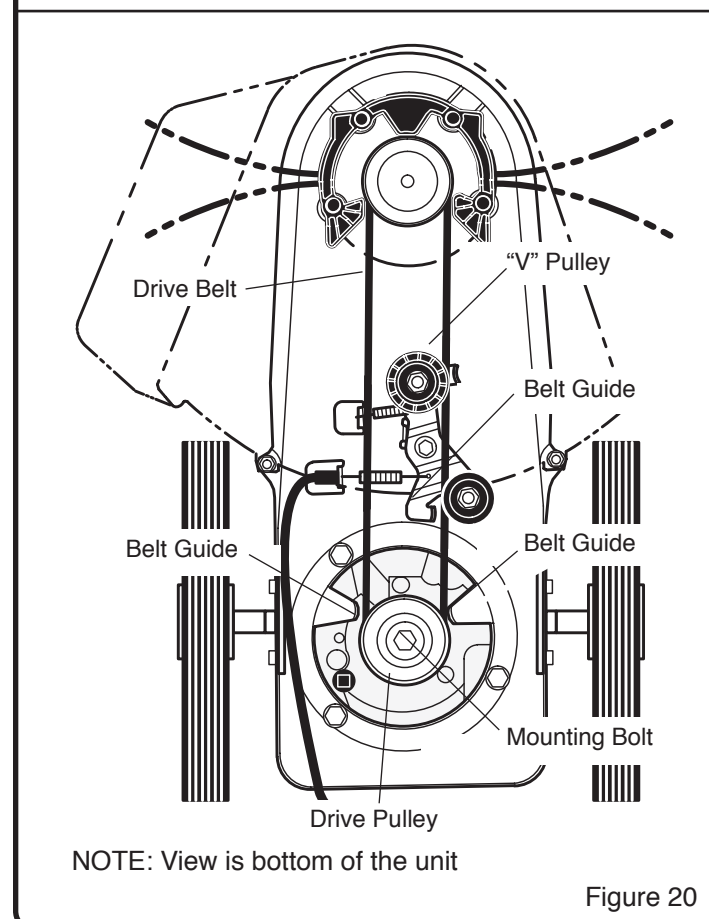


Figure 20

Maintenance (Continued)

• Save all instructions

How to Prepare for Storage

⚠ WARNING

Never store the trimmer indoors with fuel in the fuel tank. Never store in an enclosed, poorly ventilated area where fumes could reach an open flame, a spark or a pilot light as on a furnace, water heater or clothes dryer. Allow engine to cool before storing unit.

⚠ WARNING

Do not remove gasoline while inside a building, near a fire, or while you smoke. Gasoline fumes can cause an explosion or a fire.

NOTE: A yearly checkup or tune-up at an authorized service center will make sure that the trimmer will provide maximum performance for the next season.

When the trimmer is put in storage for thirty days or more, the following steps should be followed to make sure the Trimmer is in good condition the next season.

1. Let the engine run until it is out of gasoline.
2. Change the oil by following instructions under "How to Change the Engine Oil" section.
3. Remove the spark plug from the cylinder. Pour one ounce of oil into the cylinder. Slowly pull the recoil-start grip so that the oil will protect the cylinder. Install a spark plug in the cylinder. Pull recoil slowly until resistance is felt. This will close the cylinder valves.

Technical Service

You may have further questions about assembling, operating, or maintaining this Trimmer. If so, you can contact our Technical Service Department at 1-800-737-2112 (English only).

You may also write to:

METL Corporate Office - CORRESPONDENCE ONLY
ATTN: Technical Service – METL
625 Barclay Blvd.
Lincolnshire, IL 60069

When contacting the Technical Service Department, have ready:

- Your Name
- Your Address
- Your Phone Number

⚠ WARNING

Do NOT attach spark plug wire to spark plug when storing unit.

4. Clean Trimmer. Remove all dirt, leaves, debris, grease, etc. from the Trimmer – including cylinder cooling fins, recoil starter cover holes, under fuel tank, and under muffler.
5. Check the trimmer for worn or damaged parts. Have damaged parts replaced if necessary.
6. Tighten any loose hardware.
7. Apply lubrication as directed in Maintenance section.
8. Put the unit in a building that has good ventilation.



If you need assistance or have any questions, CALL
TOLL FREE: 1-800-737-2112.

- Model Number of Product
- Date of Purchase (include copy of receipt for written requests)

Troubleshooting

• Save all instructions

PROBLEM	POSSIBLE CAUSE(S)	SOLUTION(S)
Engine difficult to start	<ol style="list-style-type: none"> 1. Out of fuel 2. Throttle in Stop Position 3. Engine not primed 4. Engine Flooded 5. Spark plug wire disconnected 6. Defective throttle control lever or wire 7. Fouled spark plug 8. Clogged air filter 9. Clogged fuel filter 10. Dirty Carburetor 11. Contaminated Fuel 	<ol style="list-style-type: none"> 1. Add fresh fuel. 2. Move Throttle to Start position. 3. Press Primer bulb 3 times, waiting 2 seconds between each push. 4. Wait a few minutes before starting. 5. Attach spark plug wire to spark plug. 6. Inspect lever and wire. Replace if necessary. 7. Remove spark plug. Inspect. Replace if necessary. 8. Remove and clean air filter. 9. Remove fuel filter. Inspect. Replace if necessary. 10. Take unit to an authorized service center for carburetor cleaning. 11. Drain fuel tank. Clean fuel tank. Fill with fresh fuel.
<u>Engine Problems</u> Engine smokes excessively Engine runs very "rough" Engine runs erratically Engine cannot maintain full speed	<ol style="list-style-type: none"> 1. No Engine Oil 2. Engine oil not at proper level 3. Fouled spark plug 4. Clogged air filter 5. Clogged fuel filter 6. Carburetor out of adjustment 7. Contaminated Fuel 	<ol style="list-style-type: none"> 1. Add engine oil. 2. Check engine oil. Add or drain engine oil if necessary. 3. Remove spark plug. Inspect. Replace if necessary. 4. Remove and clean air filter. 5. Remove fuel filter. Inspect. Replace if necessary. 6. Take unit to an authorized service center for carburetor adjustment. 7. Drain fuel tank. Clean fuel tank. Fill with fresh fuel.
Excessive vibration / noise	<ol style="list-style-type: none"> 1. Loose parts 2. Trimmer lines unequal length 3. Set screws in trimmer head loose 4. Engine problems (above) 	<ol style="list-style-type: none"> 1. Tighten all fasteners. 2. Replace with trimmer lines of equal length. 3. Tighten set screws with T-handle wrench. 4. Refer to engine solutions (above).
Engine Overheats	<ol style="list-style-type: none"> 1. Clogged Cooling system 2. Engine problems (above) 	<ol style="list-style-type: none"> 1. Remove debris from recoil starter cover and cooling fins. 2. Refer to engine solutions (above).
Engine will not stop	Defective throttle control lever or wire	Inspect lever and wire. Replace if necessary.
Poor Trimming performance	<ol style="list-style-type: none"> 1. Trimmer line is too short 2. Engine not at full throttle 3. Engine problems (above) 	<ol style="list-style-type: none"> 1. Replace with correct length trimmer line (22 inches). 2. Move throttle lever to FAST position. 3. Refer to engine solutions (above).
Trimmer head does not retain line	<ol style="list-style-type: none"> 1. Trimmer line not properly attached 2. Broken line retainer 3. Trimmer line not correct size 4. Trimmer line too brittle 	<ol style="list-style-type: none"> 1. Follow instructions in maintenance section for attaching line. 2. Have trimmer head assembly replaced. 3. Use a 0.155 in. (4 mm) trimmer line. 4. Use a trimmer line that has been soaking in water.

Warranty

• Save all instructions

A Southland™ FIELD TRIMMER Limited Warranty

Always specify model number when contacting the factory.

We reserve the right to amend these specifications at any time without notice. The only warranty applicable is our standard written warranty. We make no other warranty, expressed or implied. MAT Engine Technologies, LLC warrants this Field Trimmer and any parts thereof, to be free from defects in material and workmanship for two years (90 days for commercial use or for reconditioned unit) from the date of first purchase from an authorized dealer, provided that the product has been properly maintained and operated in accordance with all applicable instructions. This warranty is extended only to the original retail purchaser. The bill of sales or proof of purchase must be presented at the time a claim is made under this warranty. This warranty does not cover commercial, industrial, or rental usage, nor does it apply to parts that are not in original condition because of normal wear and tear, or parts that fail or become damaged as a result of misuse, accident, lack of proper maintenance, tampering, or alteration. Travel, handling, transportation, and incidental costs associated with warranty repairs are not reimbursable under this warranty and are the responsibility of the owner. To the full extent allowed by the law of the jurisdiction that governs the sale of the product, this express warranty excludes any and all other expressed warranties and limits the duration of any and all implied warranties, including warranties of merchantability and fitness for a particular purpose to two years from the date of first purchase, and MAT Engine Technologies, LLC's liability is hereby limited to the purchase price of the product and MAT Engine Technologies, LLC shall not be liable for any other damages whatsoever including indirect, incidental, or consequential damages. Some states do not allow limitation of how long an implied warranty lasts or an exclusion or limitation of incidental or consequential damages, so the above limitation of damages may not apply to you. This warranty provides the original purchaser with specific rights.

For information regarding those rights, please consult the applicable state laws.

METL Corporate Office - CORRESPONDENCE ONLY
ATTN: Technical Service – METL
625 Barclay Blvd.
Lincolnshire, IL 60069

Warranty

• Save all instructions

B Emission Control System Warranty

This **MAT Engine Technologies, LLC (METL)** outdoor power equipment engine complies with the emissions regulations of:

Southland Model No.	Regulatory Agency
S-WFT-16022-[E]	United States Environmental Protection Agency ("U.S. EPA")
S-WFT-16022	United States Environmental Protection Agency ("U.S. EPA") and State of California

To the extent there is any conflict between this Emissions Control System Warranty and the equipment manufacturer's warranty, this Emissions Control System Warranty shall apply except where the equipment manufacturer's warranty may provide a longer warranty period. Please read your warranty rights and obligations carefully. Some sections of the warranty may not apply to the specific equipment model you purchased. Unless specifically noted otherwise, the terms of the Emission Control System Warranty shall apply to all product engines covered within this manual.

Your Warranty Rights and Obligations:

The California Air Resources Board, U.S. EPA and **MAT Engine Technologies, LLC (METL)** are pleased to explain the Emission Control System Warranty on your new outdoor power equipment engine.

California (applies only to Model No. S-WFT-16022)

In California, new spark-ignited small off-road equipment engines must be designed, built and equipped to meet the State's stringent anti-smog standards.

Other States, U.S. Territories

In other areas of the United States, your engine must be designed, built and equipped to meet the U.S. EPA emission standards for spark-ignited engines at or below 19 kilowatts.

All of the United States

MAT Engine Technologies, LLC (METL) must warrant the emissions control system on your power equipment engine for the periods of time listed below provided there has been no abuse, neglect or improper maintenance of your power equipment engine. Where a warrantable condition exists, **METL** will repair your power equipment engine at no cost to you including diagnosis, parts and labor.

Manufacturer's Warranty Coverage:

The emissions control system is warranted for two years. If any emissions-related part on your engine is defective, the part will be repaired or replaced by **METL**.

Owner's Warranty Responsibility

As the power equipment engine owner, you are responsible for the performance of the required maintenance listed in your owner's manual. **METL** recommends that you retain all receipts covering maintenance on your power equipment engine, but **METL** can not deny warranty solely for the lack of receipts or for your failure to ensure the performance of all scheduled maintenance.

As the power equipment engine owner, you should however be aware that **METL** may deny your warranty coverage if your power equipment engine or a part has failed due to abuse, neglect, improper maintenance or unapproved modifications.

You are responsible for presenting your power equipment engine to a distribution center or service center authorized by **METL** as soon as the problem exists. The warranty repairs should be completed in a reasonable amount of time, not to exceed 30 days.

If you have any questions regarding your warranty rights and responsibilities, you should contact

MAT Engine Technologies, Inc.
625 Barclay Boulevard
Lincolnshire, IL 60069
Tel: 1-800-737-2112

Warranty (Continued)

• Save all instructions

Warranty Coverage:

METL warrants that the product engine is free from defects in materials and workmanship which cause such engine to fail to conform with the U.S. EPA or State of California emissions standards for small spark-ignited nonroad (off-road) engines – as applicable to your **METL** product. Small spark-ignited off-road engines manufactured after January 1, 1995 and sold in the State of California and U.S. EPA-certified small spark-ignited nonroad engines manufactured in model year 1997 or later and sold in all of the United States are covered by this Emission Control System Warranty for a period of two years from the date of delivery to the original purchaser. This Emission Control System Warranty is transferable to each subsequent purchaser for the duration of the warranty period. Emission Control System Warranty repairs or replacements will be made without charge for diagnosis, parts or labor. A list of warranted parts is provided below. Normal maintenance items, such as spark plugs, air filters and fuel filters that are included on the list of warranted parts are warranted only up to the first scheduled required replacement interval for such item, as set forth in the Operator's Manual. If any emission control system part is repaired or replaced under the Emission Control System Warranty, it shall be warranted for the remainder of the applicable warranty period. **METL** will also repair or replace other engine components damaged by a failure of any part covered by the Emission Control System Warranty during the Emission Control System Warranty Period. Only parts authorized and approved by **METL** may be used in the performance of any Emission Control System Warranty repairs or replacements and will be provided without charge to the owner. Unapproved, add-on, modified, counterfeit and/or "gray market" parts may not be used to modify or repair the **METL** engine. If such a part has been used in the repair or maintenance of your engine, and an **METL Authorized Service Center** determines it is defective or causes a failure of a part covered under the Emission Control System Warranty, your claim for repair of your engine or product may be disallowed. **METL** shall not be held liable hereunder for failures of any warranted parts caused by the use of such an unapproved, add-on, modified, counterfeit and/or "gray market" part.

How to Obtain Warranty Service:

You must take your power equipment engine or the product on which it is installed, along with evidence of the date of the sale to the original purchaser, at your expense, to any **METL Authorized Service Center** during its normal business hours. To locate your nearest **METL Authorized Service Center**, call (800) 737-2112. The product owner shall be responsible for any expenses or charges incurred for service calls or transportation of the product or equipment engine to and from the **METL Authorized Service Center**, including any and all damages or losses incurred during such transportation or shipment.

Exclusions:

Failures other than those resulting from defects in material or workmanship are not covered by this Emission Control System Warranty. This Emission Control System Warranty does not extend to emission control systems or parts which are affected or damaged by owner abuse, neglect, improper maintenance, misuse, mis-fueling, improper storage, accident and/or collision, the incorporation of, or any use of, any unapproved, add-on, modified, "graymarket" or counterfeit parts, unsuitable attachments, or the unauthorized alteration of any part. This Emission Control System Warranty does not cover the regular replacement of normal maintenance items made in connection with required maintenance services after the item's first scheduled replacement, as set forth in the Operator's Manual (e.g. spark plugs, air filters, fuel filters, etc...).

Limitations of Liability:

METL disclaims any responsibility for loss of time or use of the engine, or the equipment in which the engine is installed, transportation, commercial loss, or any other incidental or consequential damage. Any implied warranties are limited to the duration of this written limited warranty. Some states do not allow limitations on how long an implied warranty lasts and/or do not allow the exclusion or limitation of incidental or consequential damages, so the above exclusions and limitations may not apply to you.

This warranty gives you specific legal rights, and you may also have other rights which vary from state to state.

Warranty (Continued)

• Save all instructions

Limitation of Liability (cont.):

SYSTEMS COVERED BY THIS WARRANTY:	PARTS DESCRIPTION:
Fuel Metering System	Carburetor assembly (if so equipped) and its internal components; fuel filter (if so equipped), carburetor gaskets, fuel pump (if so equipped)
Air Induction System	Intake pipe/ manifold, air cleaner
Ignition System	Spark plug ¹ , ignition module / coil
Exhaust System	Catalytic muffler assembly (if so equipped), muffler gasket, exhaust manifold
Crankcase Breather Assembly	Breather connection tube
Miscellaneous Parts Used in Above Systems	Hoses, belts, connectors and assemblies
Evaporative Emissions Components ²	Fuel line, fuel line fittings, clamps, fuel tank, carbon canister, canister mounting brackets, carburetor purge port connector
¹ Covered up to the first required replacement only. See the Maintenance Schedule	
² As applicable to your product engine emissions certifications	

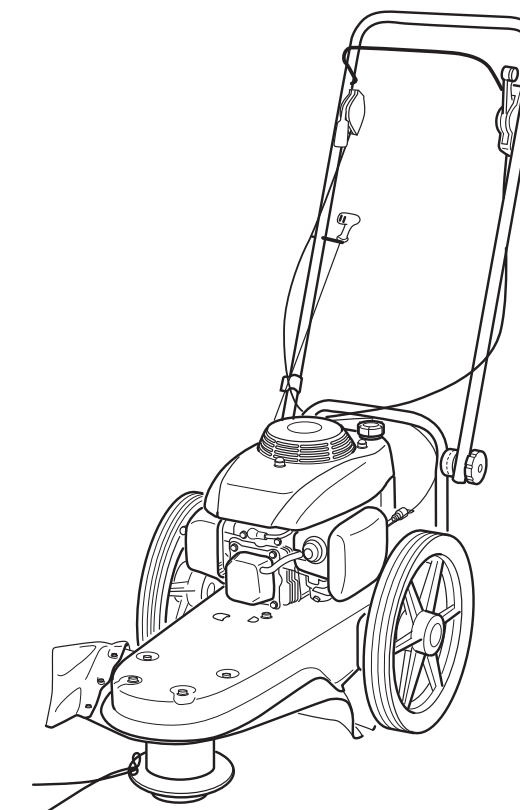


Manual del usuario SEGADORA DE HILO PARA CAMPO 160 cc, 4 Ciclos

Núm. de modelos. S-WFT-16022-[E]
S-WFT-16022

Adentro encontrará:

	Página
Instrucciones de seguridad	25
Instrucciones de seguridad importantes	26-28
Especificaciones	29
Características	29
Montaje	30
Preparación del motor	31-32
Uso	33-35
Mantenimiento	37-42
Servicio Técnico	42
Diagnóstico y resolución de problemas	43
Garantía	44-47



IMPORTANTE:

Le agradecemos haber comprado la recortadora Southland™ Segadora. Este manual le ofrece las instrucciones completas para operar y mantener seguramente la segadora. Lea y conserve estas instrucciones. Refiérase a este manual cada vez, antes de utilizar la segadora.

Anote lo siguiente como referencia:

Código de fecha de fabricación: _____

Fecha de compra: adjunte una copia de su recibo de compra.

Número gratuito de asistencia al consumidor: 1-800-737-2112

⚠ ADVERTENCIA

Este producto contiene productos químicos reconocidos por el Estado de California como causantes de cáncer, defectos de nacimiento u otros daños de reproducción.



Si tiene una duda o un problema...




LLAME SIN COSTO AL: 1-800-737-2112

CONSERVE ESTE MANUAL COMO REFERENCIA

Definiciones de seguridad • Guardar estas instrucciones







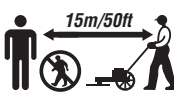





Símbolos de alerta para seguridad

Los símbolos siguientes se utilizan en el producto y en este manual para alertar al usuario sobre riesgos potenciales de seguridad. Leerlos detenidamente y entender su significado.

 PELIGRO	Indica una situación de riesgo inminente que, al no protegerse, provocará lesiones graves o la muerte.
 ADVERTENCIA	Indica una situación potencialmente peligrosa que, al no protegerse, podría provocar lesiones graves o la muerte.
 CUIDADO	Indica una situación potencialmente peligrosa que, de no evitarse, podría causar lesiones leves o daños materiales.

Los símbolos siguientes se pueden encontrar en la segadora. Leerlos detenidamente y entender su significado.

Símbolos de advertencia para seguridad

	Indica ADVERTENCIA, PELIGRO o CUIDADO.		Usar protección ocular que cumpla con la norma ANSI Z87.1 y protección auditiva.
	Leer el Manual del usuario antes de utilizar esta máquina. El no acatar las directrices podría conducir a lesiones graves.		Desconectar el cable de la bujía al no estar en uso o antes de reparar, limpiar o dar mantenimiento a la unidad.
	Objetos lanzados. Retirar toda roca, piedra y objeto extraño que pudiera ser lanzado por la máquina.		Dirección de rotación del hilo de la segadora
	Mantener a los circunstantes a una distancia segura (15 m / 50 pies). JAMÁS usar la máquina ante la presencia de niños.		Los gases del escape del motor contienen monóxido de carbono, un gas inodoro y letal. JAMÁS hacer funcionar la unidad en espacios interiores o en un área con ventilación deficiente.
	NO segar pendientes en la dirección de las mismas. Segar transversalmente a la pendiente.		NO tocar el silenciador caliente ni el cilindro. Estas piezas están extremadamente calientes durante el funcionamiento y podrían permanecer calientes durante un período de tiempo corto después del funcionamiento.
	Las piezas rotativas pueden causar lesiones graves. Mantener alejados las manos y los pies.		Para reducir el riesgo de incendio, limpiar el combustible y aceite derramados y mantener la unidad libre de residuos. La gasolina es extremadamente inflamable. Dejar que la máquina enfríe antes de reabastecerla de combustible.

Símbolos de control y funcionamiento

	Ubicación para llenado de aceite. No sobrellenar		Ubicación para llenado de gasolina.
	Regulador en marcha lenta		Regulador en marcha rápida / posición de Arranque
	Engranar el cabezal de la segadora		Desengranar el cabezal de la segadora
	Para Motor		Oprimir el bulbo del cabador 3 veces antes de arrancar us motor frío. Importante: no cebar para arrancar un motor caliente.

Instrucciones de seguridad importantes

• Conserve todas las instrucciones

RESPONSABILIDAD DEL DUEÑO

1. Leer detenidamente y seguir estas instrucciones de seguridad. Hacer caso omiso de éstas puede conducir a lesiones graves.
2. Conózcase el producto. Leer y entender este manual antes de utilizar la unidad. Comparar las ilustraciones con la unidad. Aprenderse la ubicación y la función de todos los controles. Un entendimiento exhaustivo de la unidad antes de utilizarla redundará en rendimiento y seguridad óptimos.
3. Seguir todas las instrucciones al montar la unidad. Si se compró la unidad ya montada, el usuario ha de revisar la unidad cuidadosamente para asegurarse de que se montó de conformidad con las instrucciones en el manual antes de utilizarla.
4. Inspeccionar la segadora periódicamente. Verificar que no haya piezas dobladas, dañadas o flojas.
5. Utilizar este equipo únicamente para su uso previsto.
6. Utilizar la unidad solo con protectores, pantallas y otros elementos de seguridad instalados y en buenas condiciones.
7. Dar mantenimiento a la unidad solo con piezas de repuesto autorizadas o aprobadas.
8. Completar la totalidad del mantenimiento de la unidad.

ADVERTENCIA

La presencia de este símbolo señala precauciones de seguridad importantes. Significa: "¡Atención! ¡Ponte alerta! Tu seguridad está de por medio."

ADVERTENCIA

El gas de escape del motor, algunos de sus constituyentes y ciertos componentes de vehículos contienen o emiten sustancias químicas que, consta al Estado de California, producen cáncer y malformaciones congénitas u otros daños reproductivos.

ADVERTENCIA

Para evitar el arranque accidental al montar, transportar, ajustar o efectuar reparaciones, siempre desconectar el cable de la bujía y colocarlo donde no pueda entrar en contacto con ésta.

SEGURIDAD DURANTE LA PREPARACIÓN

ADVERTENCIA

- Leer, entender y acatar todas las instrucciones en la máquina y en los manuales. Familiarizarse completamente con los controles y el uso apropiado de la segadora antes del arranque. Sépase cómo parar el motor rápidamente.
- Familiarizarse con todos los marbetes de seguridad y funcionamiento de este equipo.

ADVERTENCIA

- Inspeccionar completamente el área en que se va a utilizar la segadora y retirar todo objeto extraño. Esta segadora puede lanzar objetos pequeños a gran velocidad y causar lesiones personales o daños a la propiedad. Mantenerse alejado de objetos frágiles, tales como ventanas de viviendas, parabrisas de automóviles, invernaderos, etc.
- Inspeccionar la palanca y el cable del control de estrangulación. Verificar que el cable esté libre y que la palanca no esté dañada. También, verificar que el varillaje que conecta al carburador no tenga dobleces, dispositivos flojos ni obstrucciones. Verificar que la barra de control de arranque/paro esté funcionando apropiadamente.
- Verificar que todas las tuercas y pernos estén apretados y que el equipo esté en buenas condiciones. Verificar los herrajes de montaje en el cabezal de la segadora cada vez que se cambie el hilo de la misma, antes de cada uso.

SEGURIDAD DURANTE EL USO

- Jamás permitir que niños o adolescentes jóvenes utilicen la segadora.

ADVERTENCIA

- Mantener el área de trabajo libre de circunstantes, particularmente niños pequeños y mascotas.
- Permitir solo a individuos responsables, familiarizados con las instrucciones, utilizar la segadora.

ADVERTENCIA

- No utilizar la segadora bajo la influencia de alcohol, fármacos u otro medicamento que pudiera causar somnolencia o afectar la capacidad de utilizar la máquina de manera segura.
- No utilizar esta máquina si se es mental o físicamente incapaz de utilizarla de manera segura.

Instrucciones de seguridad importantes (la siguiente)

• Conserve todas las instrucciones

- Al utilizar la segadora, siempre usar gafas de seguridad con pantallas laterales, homologadas por ANSI, para protegerse los ojos contra objetos extraños que pudieran ser lanzados por la unidad.
- Vestir indumentaria apropiada tal como una casquillo o chaqueta de manga larga. También, vestir pantalones largos. NO vestir pantalones cortos. NO vestir indumentaria holgada que pudiera atorarse en este equipo.
- Siempre vestir guantes de trabajo y calzado robusto tal como zapatos de cuero para trabajo o botas cortas. Éstos protegen los tobillos y la tibia contra palos pequeños, astillas y otros despojos lanzados. Asimismo, éstos mejoran la tracción.
- Es aconsejable vestir indumentaria para proteger la cabeza contra golpes de partículas pequeñas lanzadas, o contra golpes de ramas bajas, ramitas u otros objetos que pudieran pasar desapercibidos por el usuario.

⚠️ ADVERTENCIA

- No colocar ni las manos ni los pies cerca de piezas rotativas o debajo de las mismas.
- Al cruzar accesos vehiculares o peatonales con grava, o caminos, parar la rotación del cabezal de la segadora y esperar a que los hilos de la segadora paren. Tener cuidado extremo. Mantenerse alerta ante peligros ocultos o tránsito.

⚠️ ADVERTENCIA

- Tener cuidado para no deslizarse o caerse. Jamás utilizar la segadora en césped húmedo. Siempre asegurar el apoyo de los pies; mantener una sujeción firme del asidero y caminar; jamás correr.
- Mirar hacia atrás y tener cuidado al retroceder.
- Jamás utilizar la segadora sin buena visibilidad o luz.

⚠️ PELIGRO

- No poner en marcha el motor en espacios interiores o dentro de un área cerrada. Los gases del escape son peligrosos, contienen MONÓXIDO DE CARBONO, un GAS INODORO Y LETAL.
- Jamás dejar la segadora desatendida mientras el motor está en marcha. Parar el motor y asegurarse que todas las piezas móviles hayan parado. Desconectar el cable de la bujía.
- Si la segadora comenzara a vibrar anormalmente, parar el motor, desconectar el cable de la bujía y evitar que éste haga contacto con la bujía. Tratar de identificar la causa inmediatamente. Generalmente, la vibración indica problemas.
- Tener cuidado con agujeros, zurcos, abultamientos u otro terreno escabroso. El pasto alto puede ocultar obstáculos.

⚠️ ADVERTENCIA

- Limpiar frecuentemente la acumulación de despojos y césped de los agujeros de la cubierta del arrancador de retroceso, bajo la cubierta en el área del cabezal de la segadora y alrededor del silenciador. El uso de la unidad con despojos excesivos conlleva el riesgo de incendio. Siempre tener sumo cuidado al usar la segadora durante condiciones secas.

⚠️ ADVERTENCIA

- No segar excesivamente las pendientes pronunciadas (15 grados, máximo). Consultar la “Guía para pendientes” al dorso de este manual para verificar una pendiente.
- Siempre segar a través de la pendiente; jamás hacia arriba y hacia abajo. Tener sumo cuidado al cambiar de dirección en pendientes. Si se está inseguro en una pendiente, NO segarla.
- NO segar cerca de desniveles pronunciados, zanjas o terraplenes. El usuario podría perder el apoyo o equilibrio.

SEGURIDAD DEL COMBUSTIBLE

⚠️ ADVERTENCIA

- La gasolina es extremadamente inflamable y los vapores pueden explotar si se inflaman. Manipularla con cuidado.
- Utilizar un contenedor aprobado.
- Revisar el suministro de combustible antes de cada uso, dejar espacio para expansión puesto que el calor del motor y/o el sol puede(n) causar la expansión del combustible.
- Llenar el tanque de combustible al aire libre, con sumo cuidado. Jamás llenar el tanque de combustible en espacios interiores.
- Jamás retirar la tapa del combustible ni abastecer combustible con el motor en marcha. Dejar que el motor enfríe antes de reabastecerlo de combustible.
- No fumar mientras se reabastece combustible.

Instrucciones de seguridad importantes (la siguiente)

• Conserve todas las instrucciones

- Después del reabastecimiento de combustible, colocar nuevamente la tapa del tanque de combustible de manera segura y enjugar el combustible derramado.
- Jamás almacenar combustible o la bordeadora con combustible en el tanque dentro de un edificio donde los vapores podrían llegar a una llama abierta.

SEGURIDAD DE ALMACENAMIENTO

- Siempre consultar las instrucciones del Manual del usuario para obtener información importante pormenorizada si se va a guardar la segadora durante un período de tiempo prolongado.
- Jamás almacenar la segadora con combustible en el tanque dentro de un edificio donde haya fuentes de ignición tales como calentadores de agua, calentadores unitarios, secadoras de ropa, etc.
- Para reducir el riesgo de incendio, mantener la segadora libre de césped, hojas y acumulación de otros residuos.
- Dejar que el motor se enfríe antes de almacenarlo en cualquier recinto.

REPARACIÓN, MANTENIMIENTO Y SEGURIDAD DE AJUSTE

- Después de golpear un objeto extraño, parar el motor. Desconectar el cable de la bujía y mantenerlo alejado de ésta para evitar un arranque accidental. Inspeccionar exhaustivamente la segadora para determinar si ha sufrido daños. Si está dañada, efectuar las gestiones para que un técnico capacitado la repare antes de arrancarla y utilizarla nuevamente.

⚠️ ADVERTENCIA

- Parar el motor antes de limpiar, reparar o inspeccionar la unidad. Verificar que todas las piezas móviles hayan parado. Dejar que el motor se enfríe. Desconectar el cable de la bujía y alejarlo de ésta.
- Jamás intentar ajuste alguno mientras el motor esté en marcha, excepto cuando así lo recomiende el fabricante específicamente.
- Mantener la segadora en condiciones de funcionamiento seguro. Revisar todos los sujetadores a intervalos frecuentes para una sujeción apropiada.
- Al dar mantenimiento a la segadora o repararla, no inclinar la máquina lateral o longitudinalmente a menos que así lo instruya este Manual específicamente. Los procedimientos de mantenimiento y reparación se pueden efectuar con la segadora en la posición vertical. Algunos procedimientos serán más fáciles si se coloca la máquina sobre una plataforma o superficie de trabajo elevada.
- Utilizar solo equipo original o piezas de repuesto autorizadas.

⚠️ ADVERTENCIA

- Jamás manipular imprudentemente los dispositivos de seguridad. Verificar el funcionamiento apropiado de los mismos periódicamente.
- No cambiar la configuración del regulador del motor ni sobreacelerar el motor.
- Limpiar y reemplazar los marbetes de seguridad e instrucciones según sea necesario.
- Para prevenir el sobrecalentamiento del motor, siempre tener el filtro de impurezas limpio e instalado en el motor instalado.

SEGURIDAD DE NIÑOS

⚠️ ADVERTENCIA

- Accidentes trágicos pueden ocurrir si el usuario no está alerta a la presencia de niños. A menudo, los niños se ven atraídos por la segadora y el segado mismo.
- Mantener a los niños fuera del área de segado y bajo la supervisión de un adulto responsable.
- Jamás suponer que los niños permanecerán donde se los vio la última vez.
- Estar alerta y apagar la segadora si algún niño entra en el área.
- Antes de retroceder y mientras se retrocede, ver hacia atrás y hacia abajo para asegurarse que no haya niños.
- Jamás permitir que niños utilicen la segadora.
- Tener sumo cuidado al utilizar la segadora cerca de esquinas sin visibilidad clara, arbustos, árboles u otros objetos que pudieran obstruir la visión.

Especificaciones

• Conserve todas las instrucciones

UNIDAD

Peso de la unidad 68 lb. (31 kg)
 Anchura de corte 22 in. (599 mm)
 Diámetro del hilo de corte 0.155 in. (4 mm)
 Diámetro de ruedas 14 in. (356 mm)
 Altura de corte 1.5-3.0 in. (38-76 mm)
 Tipo de gasolina Regular Unleaded – 88 Octane (min.)
 Capacidad de gasolina 0.9 l (0.95 cuartos)
 Tipo de aceite (API SG-SL)
 Se recomienda 10W-30 para toda temperatura en servicio.
 Véase la página 31 para mayor información.
 Capacidad de aceite 503 ml (17 onzas)
 Modelo de bujía Torch F6RTC
 Salto de chispa de la bujía 0.7-0.8 mm (0.028-0.031 pulgadas)

Características

1. **Palanca de impulsor de cabezal de segadora** Engrana la rotación del cabezal de la segadora.
2. **Barra de control de arranque/paro** Soltarla para parar la rotación del cabezal de la segadora.
3. **Palanca de control del regulador** Controla la velocidad o para el motor.
4. **Empuñadura de arrancador de retroceso** El moto está provisto de un arrancador de retroceso de tiro cómodo.
5. **Cubierta del arrancador de retroceso** Cubre el mecanismo del arrancador de retroceso. Los agujeros permiten la admisión de aire al sistema de enfriamiento.
6. **Bujía / Cable de la bujía** Brinda la chispa para encender la mezcla de aire / combustible. Al dar mantenimiento a la unidad, es preciso desconectar y retirar el cable de la bujía.
7. **Silenciador** Ubicación del escape del motor.
8. **El protector de la segadora protege** al usuario contra los despojos lanzados. La cuchilla instalada en el protector corta automáticamente el hilo para corregir su longitud, si ésta es demasiado larga.
9. **Hilo de la segadora** Elemento de corte rotativo de la segadora
10. **Cabezal de la segadora** Rota los hilos de la segadora. Determina la altura de corte.
11. **Botón del cebador** Inyecta combustible directamente en el carburador para arranques más rápidos. (Véase la Figura 7)
12. **Filtro de aire** Retira despojos y contaminantes del aire de admisión, para un funcionamiento uniforme del motor con un nivel de emisiones bajo.

MOTOR

Tipo 4 tiempos, válvula en la culata
 Cilindrada 160 cm³
 Par de torsión nominal Par de torsión bruto de 8.47 N·m (6.25 pie·lbf) según SAE J1940
 Diámetro interior x carrera 2.52 x 1.97 in. (64 x 50 mm)
 Huelgo de la válvula de admisión 0.0031-0.0047 in. (0.08-0.12 mm)
 Huelgo de la válvula de escape 0.0051-0.0067 in. (0.13-0.17 mm)
 Ángulo de ignición 18 Degrees
 RPM a admisión plena 3000
 rpm bajo régimen de marcha en vacío 2200

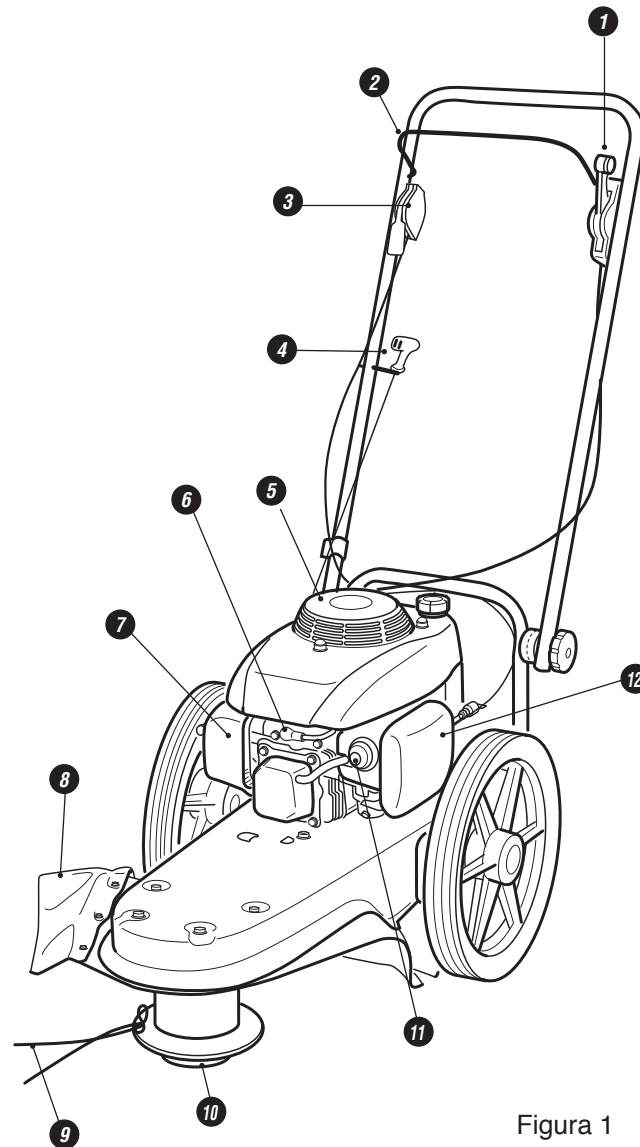


Figura 1

Montaje

• Conserve todas las instrucciones



Si se necesita ayuda o hacen falta piezas, LLAME SIN COSTO AL: 1-800-737-2112.

Leer y seguir las instrucciones de montaje. No descartar ninguna pieza ni materiales antes de concluirse el montaje de la unidad. Las referencias al lado derecho o izquierdo de la segadora toman como base el punto de vista del usuario ubicado detrás de la unidad.

⚠ ADVERTENCIA

No utilizar la segadora si ésta está averiada o no está armada completa y correctamente.

⚠ ADVERTENCIA

Antes de efectuar algún montaje o mantenimiento de la unidad, retirar el cable de la bujía.

En la caja se encontrarán los componentes siguientes. Las cantidades se muestran entre paréntesis.

- (1) Segadora
- (1) Manual del usuario de la segadora
- (1) Contenedor de aceite automotriz SAE 30
- (1) Llave hexagonal macho con mango en T
- (4) Hilos de segadora de 4 mm (0.155 pulgadas)
(2 juegos contienen 4 hilos)

Cómo montar el asidero

NOTA: Consultar la figura 2 al seguir los pasos enumerados a continuación

1. Sujetar el asidero con una mano y aflojar ambas perillas de ajuste del asidero hasta que los dientes del trinquete estén desengranados. No retirar las perillas de ajuste del asidero. (Véase la Figura 2)
2. Ejercer presión para separar los costados del asidero y rotar el asidero a la posición deseada detrás de la segadora.
3. Pararse en la posición del usuario detrás de la segadora para asegurarse que el asidero esté ajustado a una posición cómoda.
4. Apretar firmemente a mano las perillas de ajuste del asidero.
5. Para instalar la empuñadura del arrancador de retroceso en la guía del cordón, enhebrar el cordón mediante torsión en la guía montada en el lado derecho del asidero.

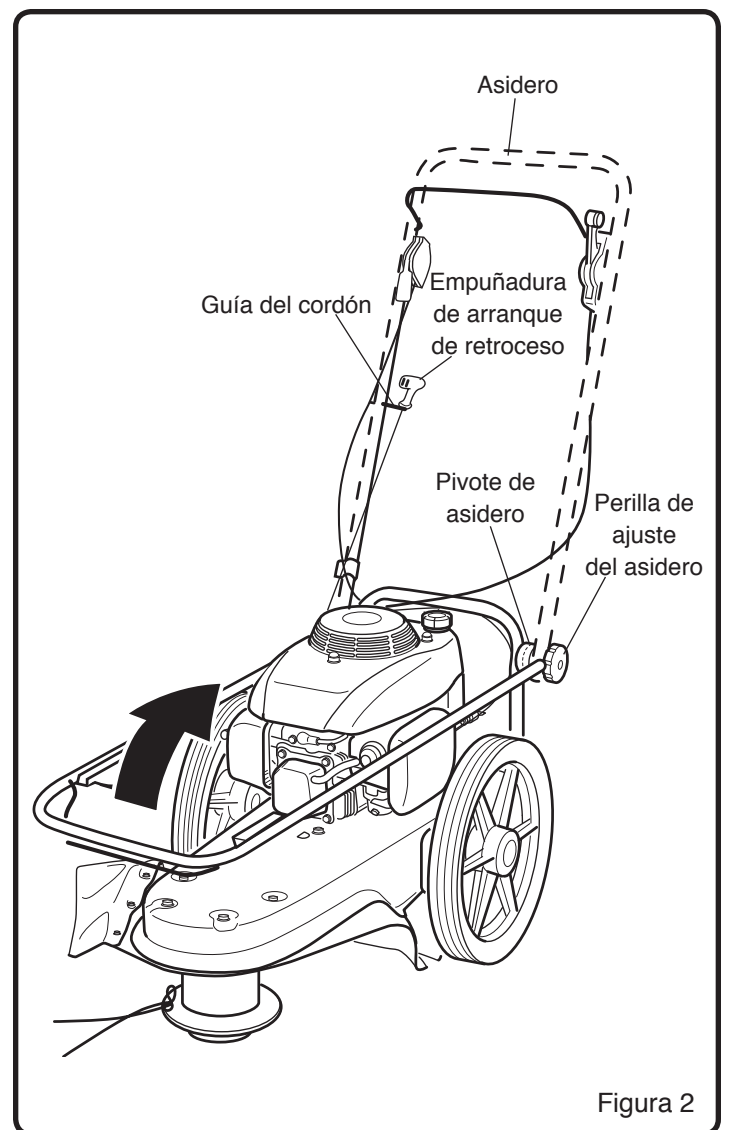


Figura 2

Preparación del motor

• Conserve todas las instrucciones

A Aceite de motor

⚠ CUIDADO

• El motor se envía sin aceite. El no agregar aceite causará daños severos al motor.

Se incluye un envase de aceite automotriz SAE 30 con la segadora abierto. Consultar la figura 3 para obtener información sobre tipos alternativos de aceite a usarse a diferentes temperaturas. Siempre utilizar un aceite detergente de alta calidad clasificado "Para servicio, SG, SH, SJ" o superior. No utilizar aditivos especiales.

⚠ CUIDADO

Siempre usar el tipo de aceite recomendado. El uso de aceite sucio o tipo de aceite incorrecto --tal como aceite para motores de dos tiempos-- acortará la vida útil del motor.

NOTA: La capacidad de aceite del motor es 503 ml (17 oz.). Para el primer llenado, sencillamente agregar al cárter del cigüeñal todo el contenido del envase de aceite provisto.

CÓMO REVISAR EL ACEITE Y LLENAR HASTA EL NIVEL APROPIADO

⚠ ADVERTENCIA

Antes de revisar el aceite, verificar que el motor esté apagado y que se haya desconectado de la bujía el cable de la misma.

1. Retirar la tapa de llenado de aceite / varilla de aforar y enjuagarla con un paño.
2. Retirar la tapa de llenado de aceite / varilla de aforar y enjuagarla con un paño. Consultar la figura 5 para determinar la ubicación de la varilla de aforar.
3. Colocar nuevamente la varilla de aforar en posición y NO enroscarla. Retirla y revisar el nivel de aceite.
4. Al tenerse un nivel lleno de aceite, el aceite alcanzará el límite superior en la varilla aforadora. Si el nivel de aceite está cerca del límite inferior o por debajo de éste, se ha de agregar aceite. (Véase la figura 4)
5. Agregar aceite lentamente hasta que el nivel del aceite alcance el límite superior de la varilla aforadora. Utilizar un embudo o boquilla para reducir derrames.

⚠ CUIDADO

Verificar el nivel de aceite frecuentemente durante el llenado. NO SOBRELLENAR. NO SUBLLENAR. Hacer marchar el motor con un nivel inadecuado de aceite causará daños severos al motor.

6. Colocar la varilla aforadora en posición y apretarla.
7. Limpiar todo aceite derramado.

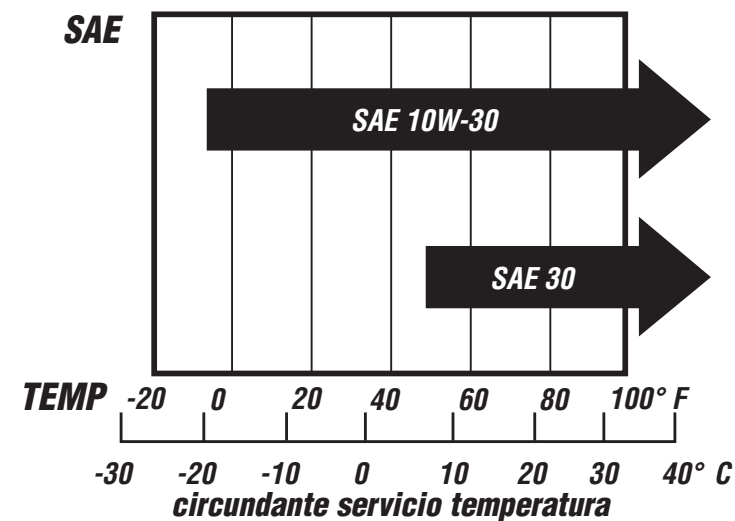


Figura 3

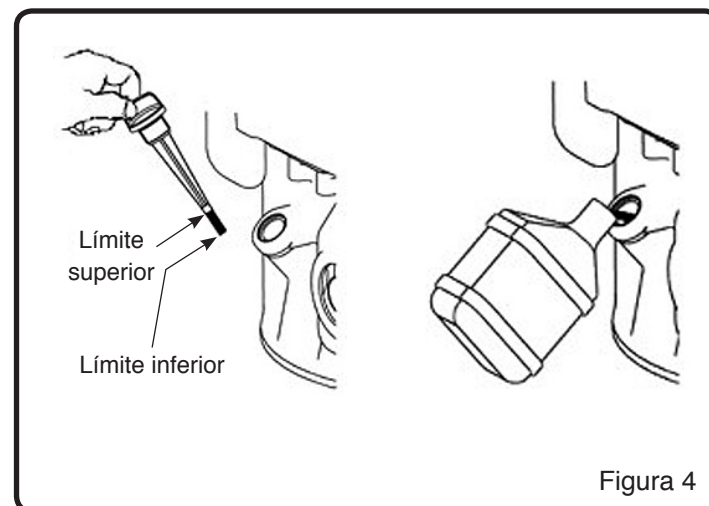


Figura 4

Preparación del motor (la siguiente)

• Conserve todas las instrucciones

B Combustible

⚠ ADVERTENCIA

- La gasolina es extremadamente inflamable y los vapores pueden explotar si se inflaman. Manipularla con cuidado.
- Usar gasolina fresca, limpia, regular, sin plomo, de 88 octanos como mínimo.
- NO usar gasolina con plomo, gasohol, metanol ni combustible diésel. No mezclar el aceite con gasolina. NO permitir que la gasolina se contamine con polvo, agua o despojos.

⚠ CUIDADO

El uso de un tipo incorrecto de combustible o de combustible contaminado causará daños severos al motor.

NOTA: La capacidad del tanque de combustible es aproximadamente 0.9 l (0.95 cuartos)

CÓMO LLENAR EL MOTOR CON COMBUSTIBLE

⚠ ADVERTENCIA

- Apagar el motor y dejarlo enfriar durante varios minutos antes de quitar la tapa de combustible o agregar combustible.
- Jamás llenar el tanque de combustible en espacios interiores.
- No fumar durante el abastecimiento de combustible.

1. Limpiar la superficie alrededor de la tapa de combustible para evitar contaminación. (Véase la figura 5)
2. Aflojar la tapa de combustible lentamente para retirarla.
3. Verter el combustible en el tanque. Tener cuidado para evitar derrames.

⚠ ADVERTENCIA

NO SOBRELLENAR con combustible. Dejar espacio para que el combustible se expanda debido al calor del motor y/o del sol.

4. Antes de colocar nuevamente la tapa de combustible, inspeccionar y limpiar el sello de la tapa de combustible.
5. Colocar nuevamente la tapa de combustible y apretarla a mano de manera segura. Al sentirse y escucharse un chasquido, se habrá asegurado la tapa (solo en el modelo S-WFT-16022).
6. Limpiar todo combustible derramado.

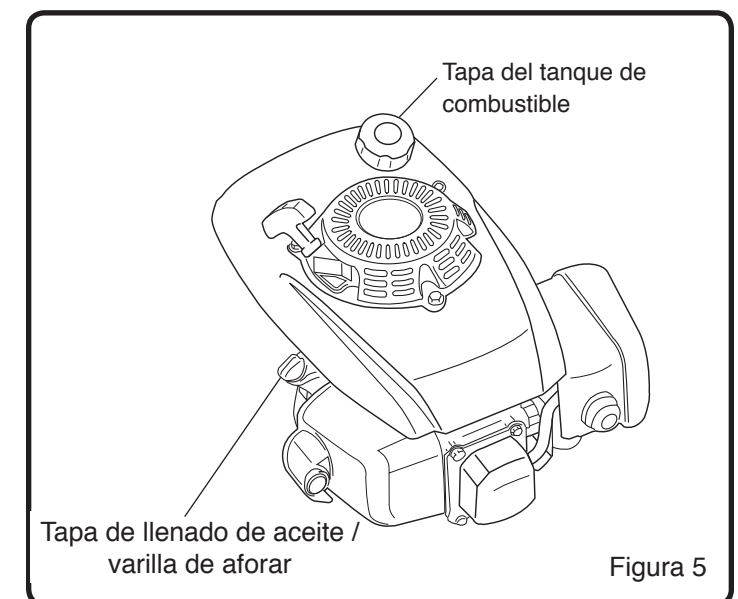


Figura 5

Uso

• **Conserve todas las instrucciones**

A Antes de arrancar el motor

⚠ ADVERTENCIA

Antes de arrancar el motor, leer el Manual del usuario. Familiarizarse con la ubicación y función de todos los controles. Sépase cómo parar el motor rápidamente.

Antes de intentar arrancar el motor, revisar los pasos siguientes:

1. Se ha montado la unidad según todas las instrucciones de montaje.
2. Se ha inspeccionado la unidad para determinar si hay piezas averiadas o faltantes.
3. No hay piezas restantes en la caja.
4. El aceite del motor está al nivel apropiado.
5. Se ha abastecido el tanque de combustible con gasolina fresca, limpia, regular, sin plomo.
6. El cable de la bujía está conectado a la bujía.
7. Se ha movido la segadora a la ubicación deseada.
8. La segadora está en una superficie a nivel.

⚠ ADVERTENCIA

Durante el uso, mantener a todo circunstante, especialmente NIÑOS, alejados

IMPORTANTE: El sistema de escape de esta unidad está provisto de un silenciador con supresor de chispas. La manipulación imprudente o el retiro del supresor de chispas viola la sección 442 del California Public Resources Code (Código de Recursos Públicos de California) así como también otras leyes estatales y federales pertinentes.

B Cómo arrancar el motor

⚠ PELIGRO

Jamás hacer funcionar el motor en espacios interiores o en un área con ventilación deficiente. Los gases del escape del motor contienen monóxido de carbono, un gas inodoro y letal.

⚠ ADVERTENCIA

Los despojos lanzados por la segadora pueden causar lesiones oculares graves. Siempre utilizar gafas protectoras o pantallas oculares que cumplan las normas ANSI al utilizar la segadora. Si se usa anteojos, colocar una máscara protectora de visión amplia, certificada por OSHA, sobre los anteojos. over your eyeglasses.

⚠ ADVERTENCIA

Antes de arrancar la segadora, limpiar los despojos de los agujeros en la cubierta del arrancador de retroceso.

1. Revisar TODOS los pasos en la sección "ANTES DE ARRANCAR EL MOTOR".
2. Empujar la palanca del regulador en la posición de avance. (Véase la figura 6)
3. Empujar el bulbo del cebador tres veces; esperar dos segundos entre cada empuje. (Véase la figura 5)

NOTA: No es necesario al arrancarse nuevamente un motor caliente.

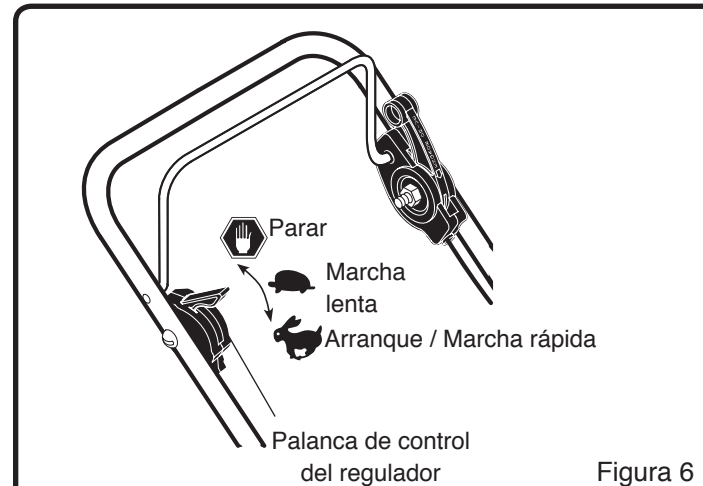


Figura 6

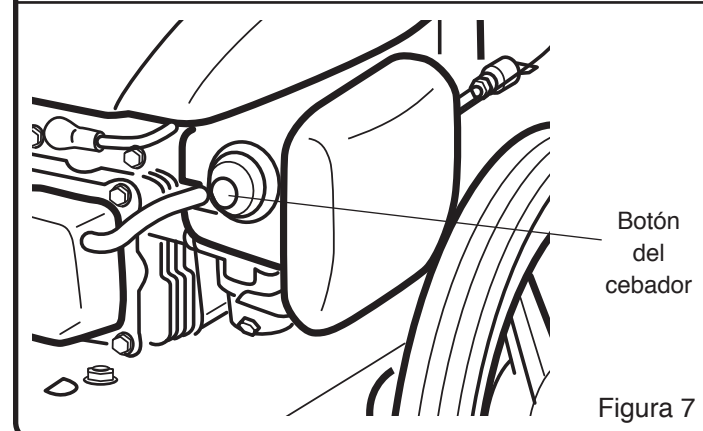


Figura 7

Uso (la siguiente)

• **Conserve todas las instrucciones**

4. Sujetar firmemente el asidero de la segadora de hilo para campo abierto con la mano izquierda. (Véase la figura 8)
5. Sujetar firmemente la empuñadura del arrancador de retroceso con la mano derecha. (Véase la figura 8)
6. Tirar del arrancador de retroceso lentamente hasta sentir tensión en la cuerda del arrancador. Luego, tirar rápidamente de la empuñadura del arrancador de retroceso para desarrollar completamente la cuerda del arrancador. NO permitir que la cuerda del arrancador retroceda violentamente. Dejar que la cuerda del arrancador se reenrole lentamente mientras se sujeta la empuñadura del arrancador de retroceso.
7. Si el motor no arranca después de tres intentos, oprimir el botón del cebador dos veces y, nuevamente, tirar de la empuñadura del arrancador de retroceso.
8. Si el motor no arranca después de 5 ó 6 intentos, ver la instrucción en la "Tabla de diagnóstico y resolución de problemas".

⚠ ADVERTENCIA

Mantener las manos, los pies, el cabello, y la ropa holgada alejados de toda pieza móvil. No tocar el silenciador y las áreas circundantes: las temperaturas podrían ser superiores a 65.6 °C (150 °F). Mantener todos los dispositivos y pantallas de seguridad en posición.

⚠ ADVERTENCIA

Jamás dejar la segadora desatendida mientras el motor está en marcha.

C Cómo parar el motor

Mover la palanca del regulador hacia atrás completamente hasta la posición PARAR. (Véase la figura 6).

D Cómo engranar el cabezal de la segadora

1. Arrancar el motor. Consultar la sección "Cómo arrancar el motor".
2. Apretar y sujetar la barra de control de arranque/paro contra la manija. (Véase la figura 9).
3. Oprimir la palanca del impulsor del cabezal de la segadora hacia adelante hasta que engrane.

E Cómo desengranar el cabezal de la segadora

Soltar la barra de control de arranque/paro (Véase la figura 9). Esto desengranará la palanca del impulsor del cabezal de la segadora y desengranará el cabezal de la segadora

⚠ ADVERTENCIA

Los hilos de la segadora continuarán rotando durante varios segundos después de soltarse la barra de control de arranque/paro. Tener cuidado.

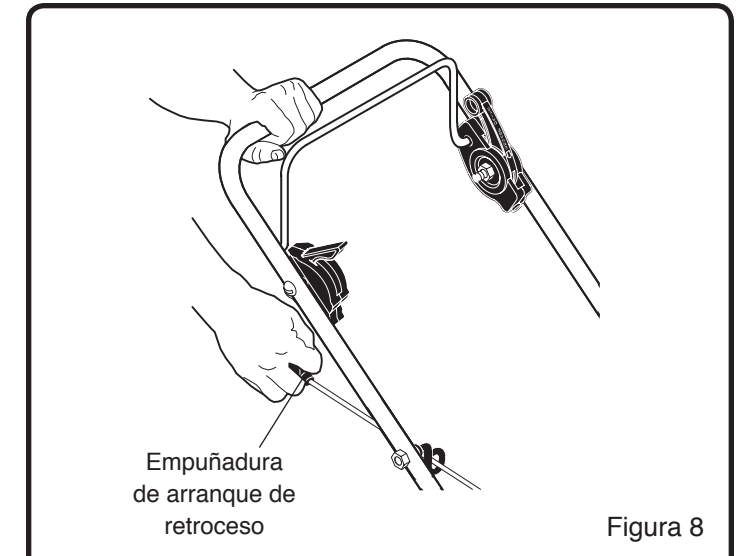


Figura 8

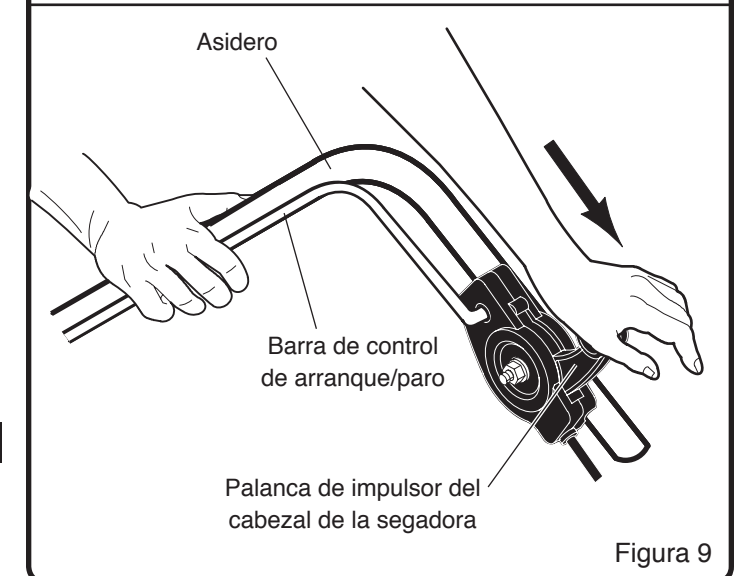


Figura 9

Uso (la siguiente)

• **Conserve todas las instrucciones**

F Cómo ajustar la altura de corte

⚠ ADVERTENCIA

Antes de ajustar la altura de corte, parar el motor. Aguardar hasta que toda pieza móvil pare. Dejar que el motor enfríe y desconectar el cable de la bujía.

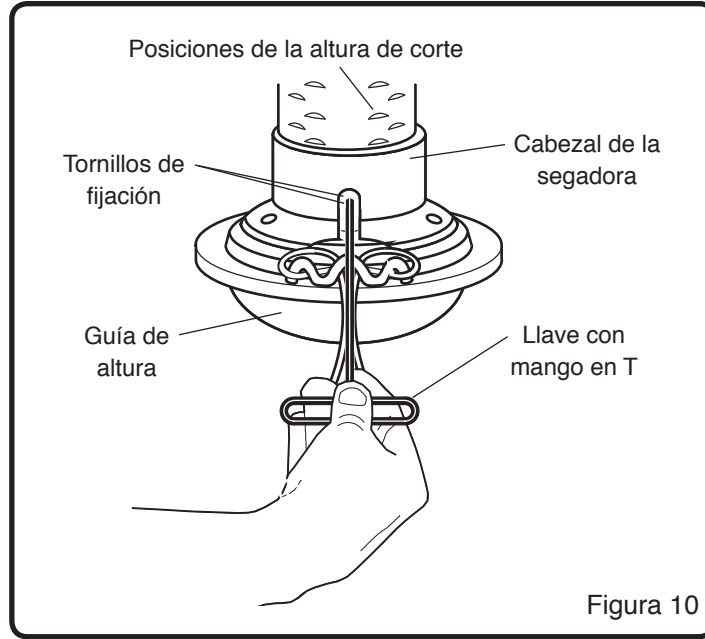
Se puede fijar la altura de corte desde 38 hasta 76 mm (1.5 a 3 pulgadas). La altura de corte recomendada para el patio promedio es de 51 mm (2 pulgadas).

1. Utilizar la llave con mango en T, en una de las bolsas de piezas, aflojar los (2) tornillos de fijación. (Véase la Figura 10)

NOTA: Los (2) tornillos de fijación están sólo en un lado del cabezal de la segadora. Si no se ven los tornillos de fijación, buscarlos en el lado opuesto. Es preciso aflojar ambos tornillos de fijación para ajustar la altura de corte.

2. Deslizar el cabezal de la segadora hacia arriba o hacia abajo para lograr la altura de corte deseada.

3. Apretar ambos tornillos de fijación a 9.5-16.3 Nm (7-12 pie-libra).



CONSEJOS DE SEGADO

⚠ ADVERTENCIA

Despojos tales como palos, grava y rocas podrían ser lanzados con la fuerza suficiente como para causar lesiones personales o daños a la propiedad.

⚠ ADVERTENCIA

- Limpiar frecuentemente la acumulación de despojos y césped de los agujeros de la cubierta del arrancador deretiro, bajo la cubierta en el área del cabezal de la segadora y alrededor del silenciador. El uso de la unidad con despojos excesivos conlleva el riesgo de incendio. Siempre tener sumo cuidado al usar la segadora durante condiciones secas.
- Si los hilos de la segadora se vuelven demasiado cortos, la duración de la tarea será mayor. Si los hilos de la segadora se han visto reducidos a menos de la mitad de su longitud original, cambiar a un hilo nuevo. Véase "Cómo cambiar el hilo de la segadora" en la sección Mantenimiento.
- No segar en pendientes demasiado inclinadas. Véase la Guía para pendientes. Si es difícil mantener el pie en una pendiente, no segarla. No segar pendientes cuando el terreno esté liso o húmedo. Segar transversalmente a la pendiente, no longitudinalmente.
- El contacto de la punta del hilo de la segadora con concreto, asfalto y superficies más duras podría dar lugar a desgaste prematuro con respecto a la guía de altura.
- Para obtener resultados óptimos y la mayor duración del hilo, remojar el hilo de la segadora en una cubeta de agua durante 24 horas antes de usarlo. Un hilo húmedo es más flexible que un hilo seco y quebradizo.
- Dejar que sean los extremos del hilo los que corten. Esto se logra fácilmente mediante el movimiento lento a través de malas hierbas espesas o densas.

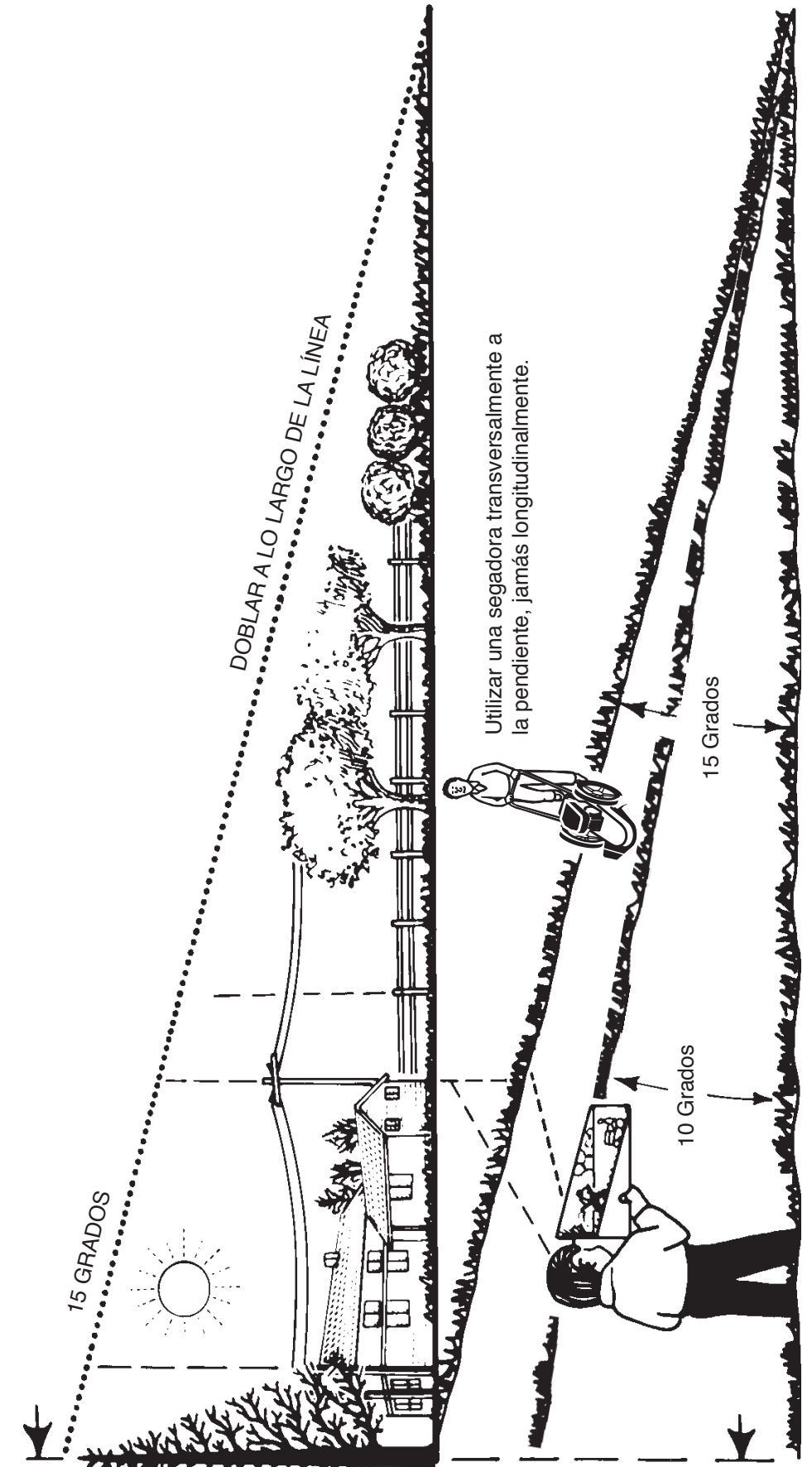
GUÍA PARA PENDIENTES

VER Y SUJETAR ESTE NIVEL DE GUÍA CON UN ÁRBOL VERTICAL, LA ESQUINA DE UNA ESTRUCTURA, UN POSTE DE ALUMBRADO ELÉCTRICO O UNA CERCIA.

Utilizar una segadora transversalmente a la pendiente, nunca longitudinalmente. Utilizar esta guía y no segar en una pendiente mayor de 15 grados. Una pendiente de 10 grados es una cima que aumenta en altura a aproximadamente 0.5 m (1.7 pies) por cada 3 m (10 pies). Una pendiente de 15 grados es una cima que aumenta en altura a aproximadamente 0.8 m (2.5 pies) por cada 3 m (10 pies).

⚠ ¡ADVERTENCIA!

Tener sumo cuidado en todo momento y evitar cruces o maniobras repentinas. Seguir instrucciones adicionales en este manual sobre seguridad para segar pendientes. Utilizar una segadora transversalmente a la pendiente, jamás longitudinalmente a la misma. Tener sumo cuidado al utilizarla en o cerca de obstrucciones.



Mantenimiento

• Conserve todas las instrucciones

⚠️ ADVERTENCIA

Antes de cualquier mantenimiento, apagar el motor y retirar el cable de la bujía para evitar un arranque accidental y lesiones graves. **IMPORTANTE:** La garantía de esta segadora no cubre elementos que se hayan visto sujetos a uso indebido o negligencia por parte del usuario. Para recibir el monto completo de la garantía, el usuario ha de dar mantenimiento a la segadora como se indica en este manual, y sólo ha de utilizar piezas de repuesto genuinas. La tabla siguiente presenta el mantenimiento periódico requerido.

PROGRAMA DE MANTENIMIENTO PERIÓDICO

Registros de mantenimiento: incluir las fechas a medida que se efectúa el mantenimiento periódico	Después de cada uso	Después de 10 horas de uso	Después de 25 horas de uso	Después de 50 horas de uso	Después de 100 horas de uso	Antes de cada temporada	Antes del almacenamiento	Véase la nota a continuación
Revisar el nivel de aceite del motor, llenar al nivel apropiado	✓					✓		
Revisar la tubería del combustible; reemplazarla si fuera necesario	✓					✓		1
Eliminar todo despojo de la unidad	✓					✓	✓	2
Revisar el apriete de los sujetadores		✓				✓		3
Revisar la cuchilla para determinar si hay desgaste o daños Reemplazarla si fuera necesario		✓				✓		
Revisar la tubería del combustible; reemplazarla si fuera necesario			✓			✓		
Lubricar las piezas móviles			✓			✓	✓	
Revisar la bujía Reemplazarla si fuera necesario			✓			✓		
Revisar la banda del impulsor Reemplazarla si fuera necesario			✓			✓		
Limpiar el filtro de aire Reemplazarlo si está muy sucio			✓			✓		4
Cambiar el aceite del motor				✓		✓	✓	5, 6
Reemplazar la bujía					✓			

⚠️ CUIDADO

NOTAS IMPORTANTES sobre el programa de mantenimiento

- Cambiar los hilos de la segadora cuando se haya consumido la mitad de la longitud original.
- Limpiar frecuentemente el césped de
 - Los agujeros en la cubierta del arrancador de retroceso
 - Debajo de la cubierta en el área del cabezal de la segadora
 - Alrededor del silenciador
- Verificar nuevamente el apriete de los sujetadores después de las primeras 2 horas del uso inicial.
- Limpiar el filtro de aire después de cada 10 horas de operación bajo condiciones de mucho polvo.
- Cambiar el aceite del motor después de las primeras 5 a 8 horas del uso inicial.
- Cambiar el aceite después de cada 25 horas de operación bajo carga pesada o en temperaturas altas.

⚠️ ADVERTENCIA

Utilizar sólo piezas de repuesto GENUINAS. Otras piezas podrían averiar la unidad o causar lesiones.

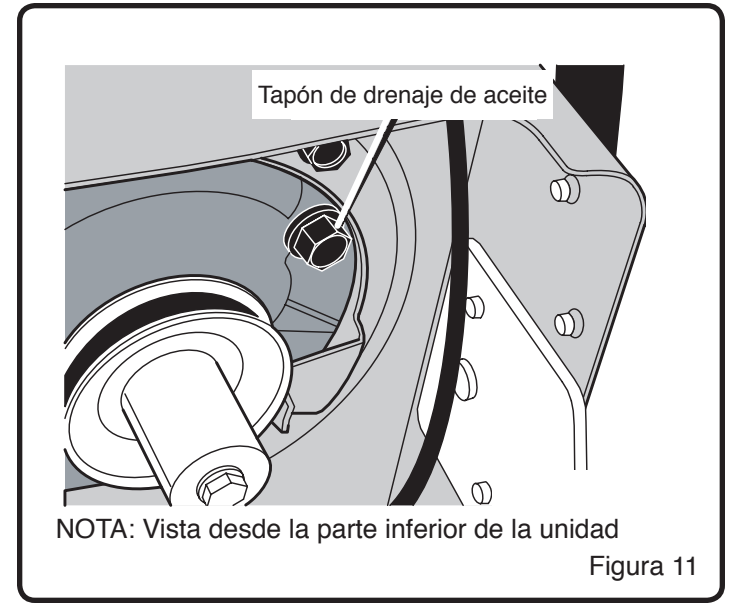
Mantenimiento (la siguiente)

• Conserve todas las instrucciones

Cómo cambiar el aceite

Nota: Consultar la figura 11 al seguir los pasos siguientes:

- Parar el motor y dejarlo enfriar.
- Desconectar el cable de la bujía.
- Insertar una palangana bajo la segadora, debajo del tapón del drenaje del aceite. (Véase la figura 11)
- Retirar la varilla aforadora. (Véase la figura 5)
- Retirar el perno y la arandela del drenaje del aceite.
- Dejar que todo el aceite drene hacia una palangana. **IMPORTANTE:** El aceite usado es un desecho peligroso. Colocar el aceite en un contenedor sellado y llevarlo al centro de reciclaje local. NO descartarlo con los desechos domésticos.
- Colocar nuevamente el tapón del drenaje de aceite y la arandela.
- Para rellenar el motor con aceite, ver la sección de preparación del motor "Cómo revisar el aceite y llenar hasta el nivel apropiado."



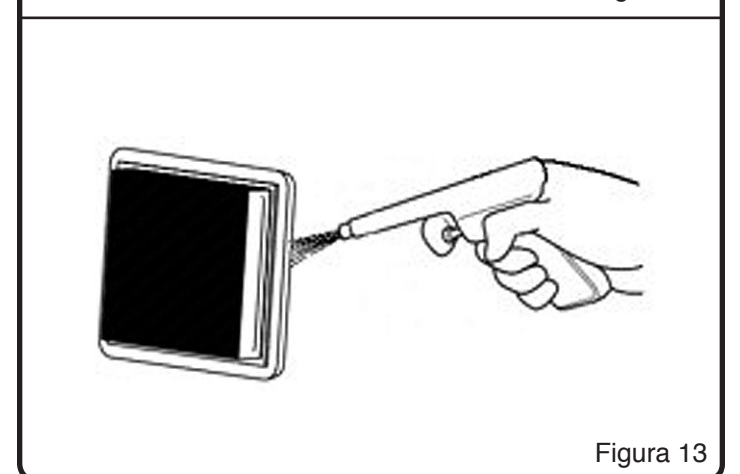
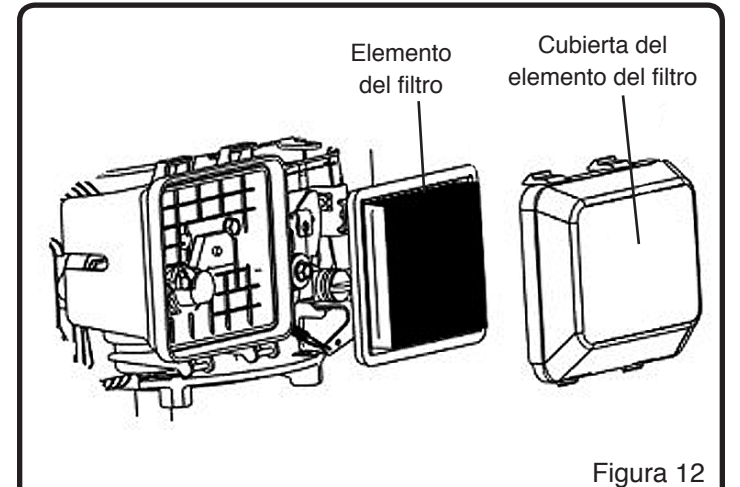
Cómo limpiar filtro de aire

Un filtro sucio restringe la admisión de aire. El mantenimiento periódico del filtro de aire ayuda a mejorar el rendimiento del motor y a reducir las emisiones

⚠️ ADVERTENCIA

Jamás limpiar un filtro de aire con gasolina u otro solvente fácilmente inflamable porque ello podría causar una explosión.

- Retirar la cubierta del filtro de aire; cuidadosamente retirar el elemento del filtro. (Véase la figura 12).
- Limpiar todas las piezas.
- Eliminar la suciedad del elemento del filtro con aire comprimido. (Véase la figura 13).
- Reinstalar el elemento del filtro y la cubierta del filtro.



Mantenimiento (la siguiente)

• Conserve todas las instrucciones

Cómo cambiar los hilos de la segadora

Cuando el hilo de la segadora se gasta a la mitad de la longitud original, reemplazar el hilo. Para el mejor rendimiento, utilizar un hilo para servicio pesado de 4 mm (0.155 pulgadas).

1. Parar el motor. Esperar a que todas las piezas móviles paren. Desconectar el cable de la bujía.
2. Retirar el hilo gastado del retenedor de hilo.
3. Cortar la longitud del hilo de la segadora a 546 mm (21.5 pulgadas). Utilizar la guía de longitud. Ésta está ubicada en la pantalla para asegurarse que el hilo tenga la longitud correcta. (Véase la Figura 14) No permitir que la longitud de los hilos varíe más de una pulgada. Cerciorarse de que el cabezal de la segadora esté equilibrado y no vibre.
4. Enhebrar los extremos del hilo nuevo a través de los bucles laterales. (Véase la Figura 15)
5. Tomar los extremos del hilo, cruzarlos sobre el retenedor de hilos, y enhebrarlos a través del agujero central. (Véase la Figura 16)
6. Luego, verificar que los extremos del hilo sean parejos. (Véase la Figura 17)
7. Seguir los mismos pasos para el hilo en el lado alterno.

IMPORTANTE: Para extender la vida útil del hilo de la segadora, mantenerlo húmedo. Si no se lo mantiene húmedo, el hilo de nilón se reseca y será frágil. Mantener el hilo adicional de la segadora en una lata con agua. El hilo permanecerá flexible y fácil de cambiar, de esa manera. Asimismo, un hilo flexible durará mucho más.

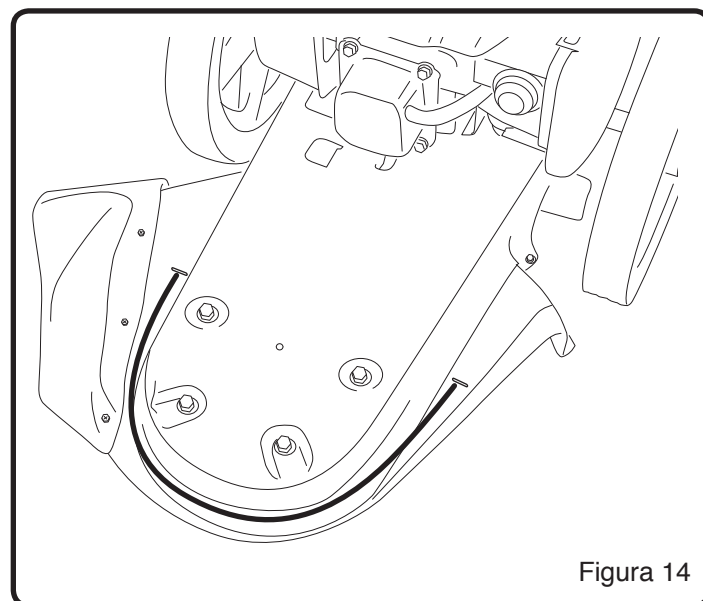


Figura 14

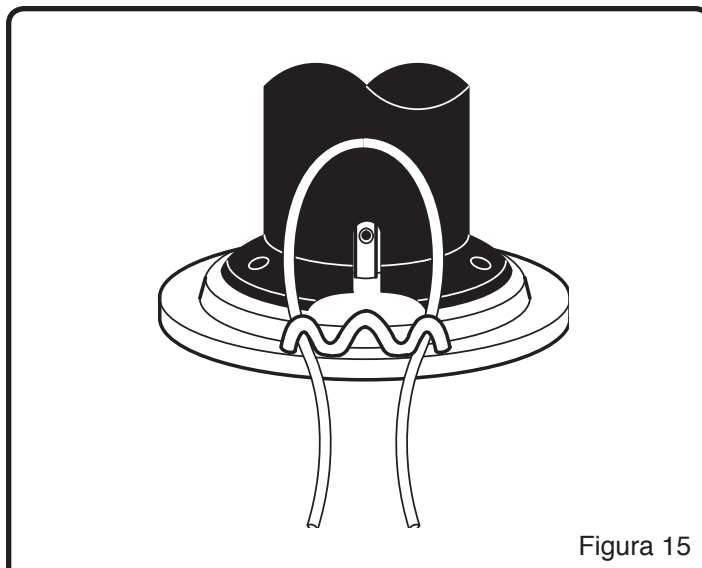


Figura 15

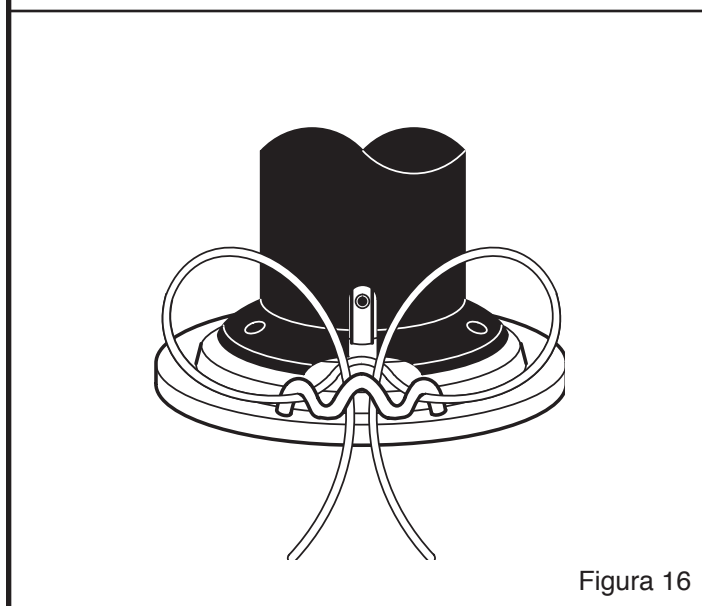


Figura 16

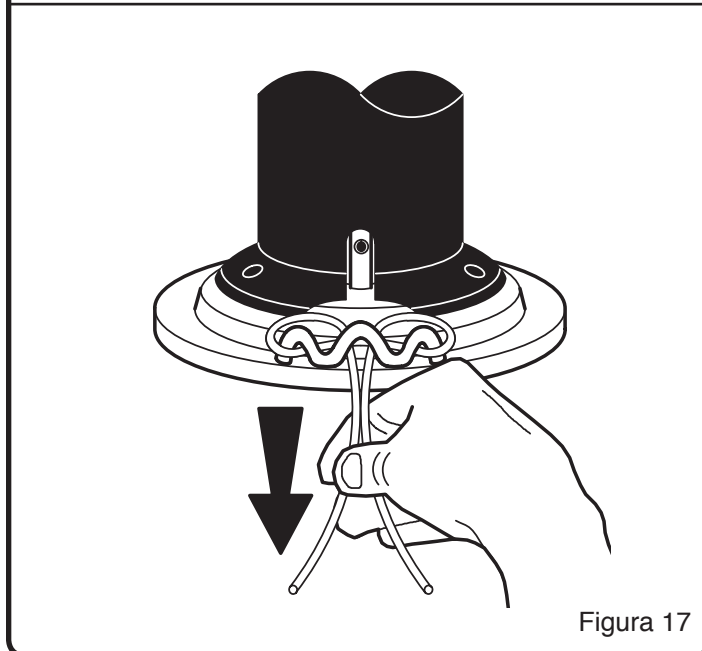


Figura 17

Mantenimiento (la siguiente)

• Conserve todas las instrucciones

Cómo revisar la bujía

Modelo de bujía: Torch F6RTC

⚠ ADVERTENCIA

Sólo usar la bujía recomendada o una bujía con el mismo intervalo de temperatura. El uso de una bujía inadecuada, un salto de chispa incorrecto o una bujía sucia u hollinada puede reducir el rendimiento del motor y causar averías.

1. Parar el motor y dejarlo enfriar.
2. Retirar de la bujía el cable de la bujía.
3. Retirar la bujía con un cubo de 21 mm (13/16 de pulgada) de profundidad.
4. Inspeccionar visualmente la bujía para determinar si tiene grietas o daños. Si está agrietada, reemplazarla.
5. Limpiar los depósitos de carbono. Si hay acumulación excesiva de carbono, reemplazar la bujía.
6. Verificar que el salto de chispa de la bujía sea de 0.7 a 0.8 mm (0.028 a 0.031 pulgadas). (Véase la Figura 18)
7. Reinsertar la bujía y apretarla a un par de torsión de 25 a 30 N·m (18 a 22 ft·lbf).
8. Reconectar el cable de la bujía a la bujía.

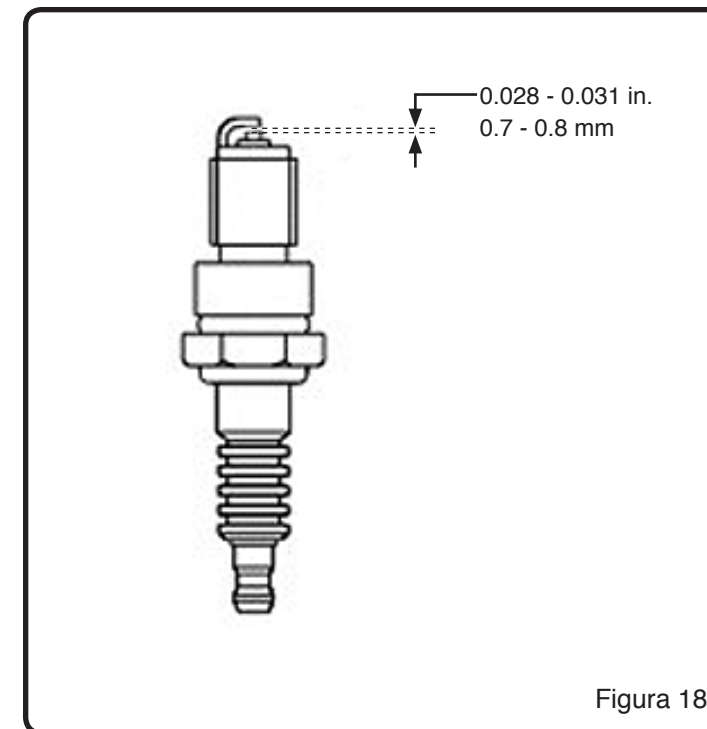


Figura 18

Mantenimiento (la siguiente)

• Conserve todas las instrucciones

Cómo cambiar la banda del impulsor

⚠ ADVERTENCIA

Antes de retirar la banda del impulsor, desconectar el cable de la bujía.

Para reemplazar la banda del impulsor, se ha de retirar el cabezal de la segadora de la manera siguiente.

1. Retirar los dos sujetadores que mantienen en posición la parte posterior de la carcasa de la segadora. (Véase la Figura 19)
2. Retirar los cuatro sujetadores que mantienen en posición la pantalla y el cabezal de la segadora en la carcasa.
3. Retirar la pantalla y el cabezal de la segadora.
4. Levantar el frente de la carcasa de la segadora y retirar la banda impulsora. No doblar las guías de la banda.

IMPORTANTE: Utilizar sólo fajas de repuesto del fabricante. Para hacer pedidos de piezas de repuesto, llamar al 1-800-737-2112.

5. Para montar la banda de impulsión, revertir los pasos anteriores. (Véase la Figura 20)
6. Las especificaciones del par de torsión son 30-55 Nm (22-40 pie-libra) para los sujetadores de la pantalla, 36.6-44.7 Nm (27-33 pie-libra) para el perno de montaje de la polea de impulsión, y 24.4-34 Nm (18-25 pie-libra) para los pernos del cabezal de la segadora.
7. Revisar la dirección de la banda de impulsión. Asegurarse que la banda esté dentro de todas las guías de la banda y que ésta no esté torcida. (Véase la Figura 20)

IMPORTANTE: Probar el sistema de impulsión. Arrancar el motor y mover el control del regulador a la posición de marcha RÁPIDA. Engranar y desengranar el cabezal de la segadora varias veces. Al estar desengranado, verificar que el cabezal de la segadora pare al descansar sobre el terreno. Si el cabezal de la segadora continúa rotando, llevar la segadora a un Centro de servicio autorizado.

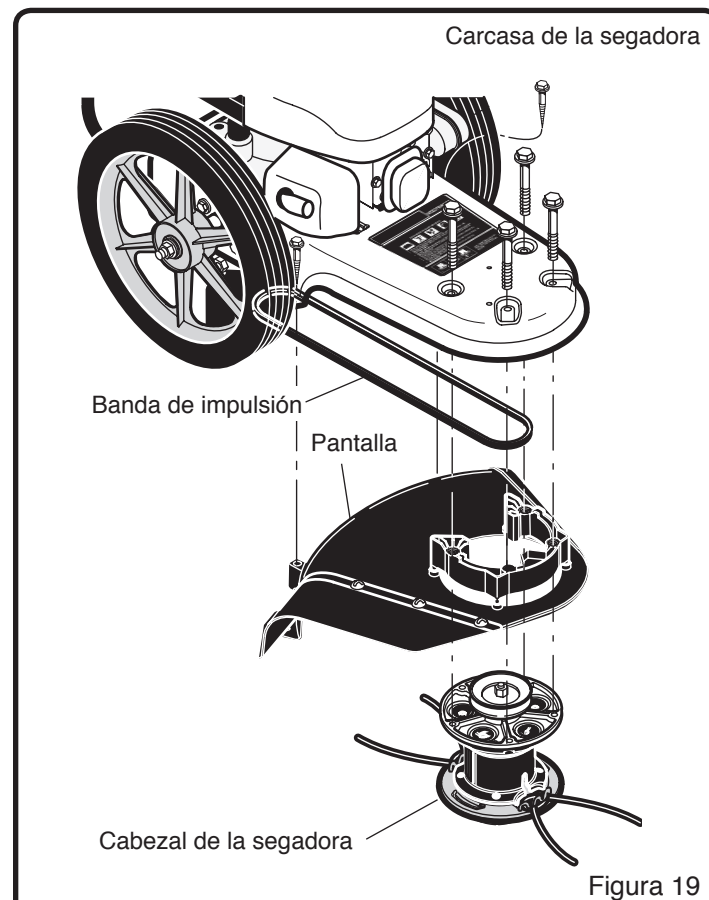


Figura 19

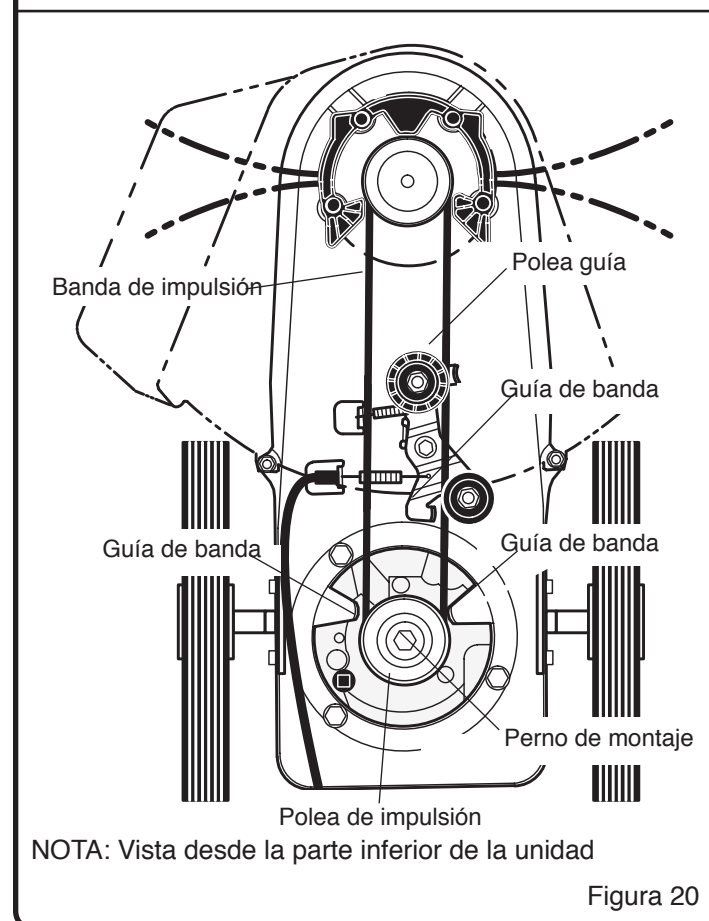


Figura 20

Mantenimiento (la siguiente)

• Conserve todas las instrucciones

Cómo prepararla para almacenamiento

⚠ ADVERTENCIA

Jamás almacenar la bordeadora en espacios interiores con combustible en el tanque. Jamás almacenarla en un recinto cerrado, mal ventilado donde las emanaciones pudieran llegar a una llama abierta, una chispa o una luz piloto como la de un horno, calentador de agua o secadora de ropa. Dejar que el motor enfríe antes de almacenar la unidad.

⚠ ADVERTENCIA

No retirar la gasolina dentro de un edificio, cerca de una llama o mientras se fuma. Los vapores de la gasolina pueden causar una explosión o incendio.

NOTA: Una revisión anual o afinado en un centro de servicio autorizado servirá para asegurarse que la segadora brindará el máximo rendimiento en la siguiente temporada.

Limpiar frecuentemente la acumulación de despojos y césped de los agujeros de la cubierta del arrancador de retroceso, bajo la cubierta en el área del cabezal de la segadora y alrededor del silenciador. El uso de la unidad con despojos excesivos conlleva el riesgo de incendio. Siempre tener sumo cuidado al usar la segadora durante condiciones secas.

1. Dejar que el motor marche hasta agotarse la gasolina.
2. Change the oil by following instructions under "How to Change the Oil."
3. Retirar la bujía del cilindro. Verter una onza de aceite en el cilindro. Lentamente, tirar de la empuñadura de retroceso para que el aceite proteja al cilindro. Instalar una bujía nueva en el cilindro. Tirar del arrancador de retroceso lentamente hasta sentir tensión en la cuerda del arrancador. Esto cerrará las válvulas del cilindro.

Servicio técnico

Es posible que tenga otras dudas para el ensamblaje, la operación o el mantenimiento de esta recortadora. En esta caso, puede ponerse en contacto con nuestro Departamento de servicio técnico al 1-800-737-2112 (solamente en inglés).

Puede también escribir a:

Sede social METL - SOLAMENTE CORRESPONDENCIA
ATTN: Servicio técnico - METL
625 Barclay Blvd.
Lincolnshire, IL 60069

Al ponerse en contacto con Departamento de servicio técnico, prepare:

- Su nombre
- Su dirección
- Su número de teléfono

⚠ ADVERTENCIA

NO conectar el cable de la bujía a la bujía al almacenar la unidad.

4. Limpiar la segadora. Retirar toda suciedad, hojas, despojos, grasa, etc., de la segadora. Incluir las aletas de enfriamiento del cilindro, los agujeros de la cubierta del arrancador de retroceso, debajo del tanque del combustible, y debajo del silenciador.
5. Revisar la segadora para determinar si hay piezas gastadas o dañadas. Hacer que las piezas dañadas sean reemplazadas, si fuera necesario.
6. Apretar toda pieza holgada.
7. Aplicar lubricación como lo indica la sección Mantenimiento.
8. Poner la unidad en un edificio que tenga buena ventilación.



**Si necesita ayuda o tiene una duda,
LLAME SIN COSTO AL: 1-800-737-2112.**

- El número del modelo del producto
- La fecha de compra (incluyendo una copia del recibo para requisitos escritos).

PROBLEMA	CAUSAS POSIBLES	SOLUCIONES
Dificultad para arrancar el motor	<ol style="list-style-type: none"> 1. Sin combustible 2. Regulador en la posición Parar 3. No se ha cebado el motor 4. Motor ahogado 5. El cable de la bujía está desconectado 6. Palanca o cable defectuoso de control del regulador 7. Bujía hollinada 8. Filtro de aire obstruido 9. Filtro de combustible obstruido 10. Carburador sucio 11. Combustible contaminado 	<ol style="list-style-type: none"> 1. Agregar combustible fresco 2. Mover el regulador a la posición Arranque 3. Oprimir el bulbo de cebado 3 veces, esperar 2 segundos entre cada pulsación. 4. Esperar varios minutos antes de arrancarla. 5. Conectar a la bujía el cable de la misma. 6. Inspeccionar la palanca y el cable. Reemplazarlos si fuera necesario. 7. Retirar la bujía. Inspeccionarla. Reemplazarla si fuera necesario. 8. Retirar y limpiar el filtro de aire. 9. Retirar el filtro de combustible. Reemplazarlo si fuera necesario. 10. Llevar la unidad a un centro de servicio autorizado para limpieza del carburador. 11. Drenar el tanque de combustible. Limpiarlo. Llenarlo con combustible fresco.
Engine Problems El motor emite humo excesivamente La marcha del motor es muy "irregular". Marcha errática del motor El motor no puede mantener velocidad plena.	<ol style="list-style-type: none"> 1. Sin aceite de motor 2. Nivel inadecuado del aceite del motor 3. Bujía hollinada 4. Filtro de aire obstruido 5. Filtro de combustible obstruido 6. Carburador desajustado 7. Combustible contaminado 	<ol style="list-style-type: none"> 1. Agregar aceite para motor 2. Revisar el aceite del motor. Agregar o drenar aceite para motor si fuera necesario. 3. Retirar la bujía. Inspeccionarla. Reemplazarla si fuera necesario. 4. Retirar y limpiar el filtro de aire. 5. Retirar el filtro de combustible. Reemplazarlo si fuera necesario. 6. Llevar la unidad a un centro de servicio autorizado para ajuste del carburador. 7. Drenar el tanque de combustible. Limpiarlo. Llenarlo con combustible fresco.
Vibración excesiva / Ruido	<ol style="list-style-type: none"> 1. Piezas flojas 2. Hilos de segadora de longitud desigual 3. Los tornillos de fijación del cabezal de la segadora están flojos 4. Problemas del motor (arriba) 	<ol style="list-style-type: none"> 1. Apretar todos los sujetadores. 2. Reemplazarlos con hilos de igual longitud para segadora. 3. Apretar los tornillos de fijación con la llave con mango en T. 4. Consultar las soluciones para el motor (arriba).
El motor sobrecalienta	<ol style="list-style-type: none"> 1. Sistema de enfriamiento obstruido 2. Problemas del motor (arriba) 	<ol style="list-style-type: none"> 1. Retirar despojos del arrancador de retroceso y aletas de enfriamiento. 2. Consultar las soluciones para el motor (arriba).
El motor no para.	Defective throttle control lever or wire	Inspeccionar la palanca y el cable. Reemplazarlos si fuera necesario.
Rendimiento deficiente de la segadora	<ol style="list-style-type: none"> 1. El hilo de la segadora es demasiado corto. 2. Motor no está a plena admisión 3. Problemas del motor (arriba) 	<ol style="list-style-type: none"> 1. Reemplazar con un hilo de longitud correcta (56 cm [22 pulgadas]). 2. Mover la palanca del regulador a la posición MARCHA RÁPIDA. 3. Consultar las soluciones para el motor (arriba).
El cabezal de la segadora no retiene el hilo	<ol style="list-style-type: none"> 1. Hilo de segadora no instalado apropiadamente 2. Retenedor de hilo averiado 3. Tamaño incorrecto del hilo 4. El hilo de la segadora es demasiado quebradizo 	<ol style="list-style-type: none"> 1. Seguir las instrucciones en la sección de mantenimiento sobre cómo instalar el hilo. 2. Ordenar el reemplazo de la unidad del cabezal de la segadora. 3. Utilizar un hilo de 4 mm (0.155 pulgadas) 4. Utilizar un hilo que ha estado sumergido en agua.

A Garantía limitada de la SEGADORA Souhland™ PARA CAMPO ABIERTO

Al contactar la fábrica, siempre especificar el número del modelo.

Nos reservamos el derecho de enmendar estas especificaciones en cualquier momento y sin aviso previo. La única garantía pertinente es nuestra garantía estándar por escrito. No ofrecemos ninguna otra garantía, expresa o implícita. MAT Engine Technologies, LLC garantiza que esta Segadora para campo abierto y todas las piezas de la misma, carecerán de defectos en materiales y mano de obra durante dos años (90 días para uso comercial o para unidades reacondicionadas) a partir de la fecha de compra original en un concesionario autorizado, siempre y cuando se haya dado mantenimiento adecuado al producto y se lo haya operado de conformidad con todas las instrucciones pertinentes. Se extiende esta garantía únicamente al comprador al por menor original. Se ha de presentar el contrato de venta o prueba de compra al efectuarse una reclamación bajo esta garantía. Esta garantía no cubre uso comercial, industrial o de alquiler, y asimismo, no es pertinente a piezas que no estén en su condición original debido a desgaste normal o piezas que fallan o sufren averías como resultado de uso indebido, accidente, falta de mantenimiento apropiado, manipulación imprudente y peligrosa, o alteración. Los costos de viaje, manipulación, transporte e incidentales asociados con reparaciones bajo garantía no son reembolsables bajo esta garantía y son responsabilidad del propietario. Hasta donde lo permita la ley de la jurisdicción que gobierne la venta de este producto, esta garantía expresa excluye cualesquier y toda otra garantía expresa y limita la duración de cualesquier y toda garantías implícitas, incluyendo las garantías de comerciabilidad e idoneidad para un propósito específico durante dos años a partir de la fecha de compra original, y por la presente, se limita la responsabilidad de MAT Engine Technologies, LLC al precio de compra del producto y MAT Engine Technologies, LLC no será responsable por ningún otro daño en lo absoluto, incluyendo daños incidentales o emergentes. Algunos estados no permiten limitaciones sobre la duración de una garantía implícita, ni la exclusión o limitación de los daños emergentes, por lo cual la limitación de daños anterior podría no ser pertinente en algunos casos. Esta garantía brinda al comprador original derechos jurídicos específicos.

Para obtener información sobre esos derechos, por favor consultar las leyes estatales pertinentes.

Sede de METL - SÓLO CORRESPONDENCIA
Atención: Servicio Técnico - METL
625 Barclay Blvd.
Lincolnshire, IL 60069

Garantía (la siguiente)

• Conserve todas las instrucciones

B Garantía del sistema pro control de emisiones contaminantes

Este motor de **MAT Engine Technologies, LLC (METL, por sus siglas en inglés)** para equipo mecánico para espacios exteriores cumple el reglamento sobre emisiones contaminantes de:

Modelo Southland n.º	Entidad normativa
S-WFT-16022-[E]	Agencia de Protección Ambiental de Estados Unidos ("U.S. EPA", por sus siglas en inglés)
S-WFT-16022	Agencia de Protección Ambiental de Estados Unidos ("U.S. EPA", por sus siglas en inglés) y el Estado de California

En la medida que haya conflicto alguno entre esta Garantía pro control de emisiones contaminantes y la garantía del fabricante del equipo, prevalecerá la presente Garantía pro control de emisiones contaminantes, excepto cuando la garantía del fabricante pudiera brindar un período de garantía más prolongado. Por favor léanse cuidadosamente los derechos y obligaciones del propietario al amparo de esta garantía. Es posible que algunas secciones de la garantía no sean pertinentes al modelo específico que se haya adquirido. A menos que se haga notar específicamente lo contrario, los términos de la Garantía pro control de emisiones contaminantes serán pertinentes a todos los motores de productos cubiertos en este manual.

Derechos y obligaciones al amparo de la garantía:

La California Air Resources Board (Junta de Recursos del Aire de California), la Agencia de Protección Ambiental de Estados Unidos y **MAT Engine Technologies, LLC** se complacen en explicar la Garantía del sistema pro control de emisiones contaminantes de este nuevo motor de equipo mecánico para espacios exteriores.

California (pertinente sólo al Modelo n.º S-WFT-16022)

En California, se han de diseñar, construir y equipar los nuevos motores pequeños para uso no vial de encendido por chispa para cumplir las estrictas normas antismog del Estado.

Otros Estados o territorios de los Estados Unidos

En otras áreas de los Estados Unidos, se ha de diseñar, construir y equipar este motor a fin de que cumpla las normas de la U.S. EPA sobre emisiones contaminantes de motores de encendido por chispa de 19 kilovatios o menos.

En todos los Estados Unidos

MAT Engine Technologies, LLC (METL) ha de garantizar el sistema de control de emisiones contaminantes del motor para equipo mecánico durante los períodos de tiempo que figuran a continuación, siempre y cuando no haya habido uso indebido, descuido o mantenimiento inadecuado del motor para equipo mecánico. Cuando exista una condición garantizable, **METL** reparará el motor para equipo mecánico sin costo alguno para el propietario, incluyendo el diagnóstico, las piezas y la mano de obra.

Cobertura de la garantía del fabricante:

El sistema de control de emisiones contaminantes está garantizado durante dos años. Si alguna pieza del motor relacionada con emisiones contaminantes es defectuosa, **METL** reparará o reemplazará dicha pieza.

Responsabilidades del propietario de la garantía:

Como propietario del motor para equipo mecánico, el consumidor es responsable por llevar a cabo el mantenimiento necesario enumerado en el manual del propietario. **METL** recomienda al propietario guardar todos los recibos que cubran el mantenimiento del motor para equipo mecánico, pero **METL** no puede negar la garantía exclusivamente por la falta de recibos o por no asegurarse el propietario de que se efectuara todo el mantenimiento programado.

Como propietario del motor para equipo mecánico, no obstante, el consumidor debe estar conciente de que **METL** podría negar la cobertura de la garantía si el motor para equipo mecánico o una pieza del mismo ha fallado por uso indebido, descuido, mantenimiento inadecuado o modificaciones no autorizadas.

Es responsabilidad del propietario presentar el motor para equipo mecánico a un centro de distribución o centro de servicio autorizado por **METL** tan pronto exista un problema. Se deben completar las reparaciones bajo garantía en un período de tiempo razonable que no exceda de 30 días.

Si se tiene alguna pregunta sobre los derechos y responsabilidades del propietario al amparo de esta garantía, ponerse en contacto con.

MAT Engine Technologies, Inc.
625 Barclay Boulevard
Lincolnshire, IL 60069
Tel: 1-800-737-2112

Llame sin costo al: 1-800-737-2112

45

© 2008 MAT Engine Technologies, LLC

Garantía (la siguiente)

• Conserve todas las instrucciones

Cobertura de la garantía:

METL garantiza que el motor del producto carece de defectos en materiales y mano de obra que causen que dicho motor no observe las normas de la U.S. EPA o el Estado de California sobre emisiones contaminantes de motores pequeños para uso no vial y encendido por chispa, según sea pertinente al producto de **METL**. Los motores pequeños para uso no vial y encendido por chispa fabricados después del 1 de enero de 1995 y vendidos en el Estado de California y los motores pequeños para uso no vial y encendido por chispa certificados por la U.S. EPA, fabricados en el modelo del año 1997 ó más reciente y vendido en todos los Estados Unidos, están cubiertos por esta Garantía del sistema pro control de emisiones contaminantes durante un período de dos años a partir de la fecha de entrega al comprador original. Esta Garantía del sistema pro control de emisiones contaminantes es transferible a cada comprador subsiguiente durante el plazo del período de garantía. Las reparaciones o reemplazos al amparo de la presente Garantía del sistema pro control de emisiones contaminantes se efectuarán sin recargo alguno en concepto de diagnóstico, piezas o mano de obra. La lista de las piezas garantizadas figura a continuación. Los artículos para mantenimiento normal, tales como bujías, filtros de aire y filtros de combustible que están incluidos en la lista de piezas garantizadas, gozan de garantía únicamente hasta el primer intervalo de reemplazo programado para dicho artículo, como se estipula en el Manual del usuario. Toda pieza del sistema pro control de emisiones contaminantes reparada o reemplazada al amparo de la Garantía del sistema pro control de emisiones contaminantes estará garantizada durante el resto del período de garantía pertinente. Asimismo, **METL** reparará o reemplazará otros componentes del motor dañados por el fallo de cualquier pieza cubierta por la Garantía del sistema pro control de emisiones contaminantes durante el período de la Garantía del sistema pro control de emisiones contaminantes. En toda reparación o reemplazo al amparo de la Garantía del sistema pro control de emisiones contaminantes solo se pueden utilizar piezas autorizadas y aprobadas por **METL**; éstas serán provistas sin costo alguno al propietario. No se podrán utilizar piezas no aprobadas, adicionales, modificadas, falsificadas, y/o del "mercado gris" para modificar o reparar el motor **METL**. Si se ha utilizado alguna de dichas piezas en la reparación o mantenimiento del motor, y un Centro de servicio autorizado por **METL** determina que dicha pieza es defectuosa o causa el fallo de una pieza cubierta por la Garantía del sistema pro control de emisiones contaminantes, la reclamación para reparación del motor o producto podría declararse nula y sin efecto. **METL** no asumirá responsabilidad alguna, bajo la presente garantía, por fallos de toda pieza garantizada causados por el uso de dicha pieza no aprobada, adicional, modificada, falsificada y/o del "mercado gris".

Cómo obtener servicio de garantía:

El propietario ha de llevar el motor para equipo mecánico o el producto en el cual está instalado, junto con la evidencia de la fecha de venta al comprador original, por cuenta del propietario, a cualquier Centro de servicio autorizado por **METL** durante sus horas hábiles normales. Para ubicar el Centro de servicio autorizado por **METL** más cercano, llamar al (800) 737-2112. El propietario del producto será responsable por cualesquier gastos o recargos incurridos por llamadas de servicio o transporte del producto o motor del equipo hacia y desde el Centro de servicio autorizado por **METL**, incluyendo cualesquier y todo daño o pérdida incurrido durante dicho transporte o envío.

Exclusiones:

Todo fallo ajeno a aquellos resultantes de defectos en materiales o mano de obra no está cubierto por esta Garantía del sistema pro control de emisiones contaminantes. Esta Garantía del sistema pro control de emisiones contaminantes no se extiende a los sistemas de control de emisiones ni a piezas afectadas o dañadas por uso indebido, descuido, mantenimiento inadecuado, uso inadecuado, abastecimiento de combustible inadecuado, almacenamiento inadecuado, accidente y/o colisión, la incorporación o cualquier uso de toda pieza no aprobada, adicional, modificada, del "mercado gris" o falsificadas, accesorios inadecuados, o la alteración no autorizada de cualquier pieza, por parte del propietario. Esta Garantía del sistema pro control de las emisiones contaminantes no cubre el reemplazo periódico de los artículos de mantenimiento normal efectuado en conexión con los servicios de mantenimiento necesarios, posteriormente al primer reemplazo programado de dichos artículos, como se estipula en el Manual del usuario (p. ej., bujías, filtros de aire, filtros de combustible, etc.).

Limitación de responsabilidad:

METL declina toda responsabilidad por pérdida de tiempo o del uso del motor o del equipo en que el motor está instalado, transporte, pérdidas comerciales, o cualquier otro daño incidental o emergente. Toda garantía implícita está limitada a la duración de esta garantía limitada por escrito. Algunos Estados no permiten limitaciones sobre la duración de una garantía implícita y/o no permiten la exclusión o limitación de los daños incidentales o emergentes, por lo cual las exclusiones y limitaciones de daños anteriores podrían no ser pertinentes en algunos casos.

Esta garantía brinda al consumidor derechos jurídicos específicos y, asimismo, es posible que el consumidor tenga otros derechos que varían de un estado a otro.

Llame sin costo al: 1-800-737-2112

46

© 2008 MAT Engine Technologies, LLC

Garantía (la siguiente)

- Conserve todas las instrucciones

Limitación de responsabilidad:

SISTEMAS CUBIERTOS POR ESTA GARANTÍA:	DESCRIPCIÓN DE LAS PIEZAS:
Sistema de medida del combustible	Unidad del carburador (si está provisto) y sus componentes internos; filtro de combustible (si está provisto), empaques del carburador, bomba del combustible (si está provista)
Sistema de inducción de aire	Tubo / múltiple de admisión, limpiador de aire
Sistema de ignición	Bujía ¹ , módulo / bobina de encendido
Sistema de escape	Unidad de silenciador catalítico (si está provisto), empaque del silenciador, múltiple de escape
Unidad del respirador del cárter del cigüeñal	Tubo de conexión de respirador
Piezas misceláneas utilizadas en los sistemas anteriores	Mangueras, fajas, conectores y montajes
Componentes de emisiones contaminantes evaporativas ²	Tubería para combustible, accesorios de tubería para combustible, abrazaderas, tanque de combustible, soportes para montaje de recipientes, conector de puerto de purga del carburador
¹ Cubierta únicamente hasta el primer reemplazo necesario. Véase el Programa de mantenimiento	
² Según sean pertinentes a las certificaciones de emisiones contaminantes del motor del producto	