

SOUTHLAND[®]

ILLUSTRATED PARTS BOOK

43cc Wheeled String Trimmer

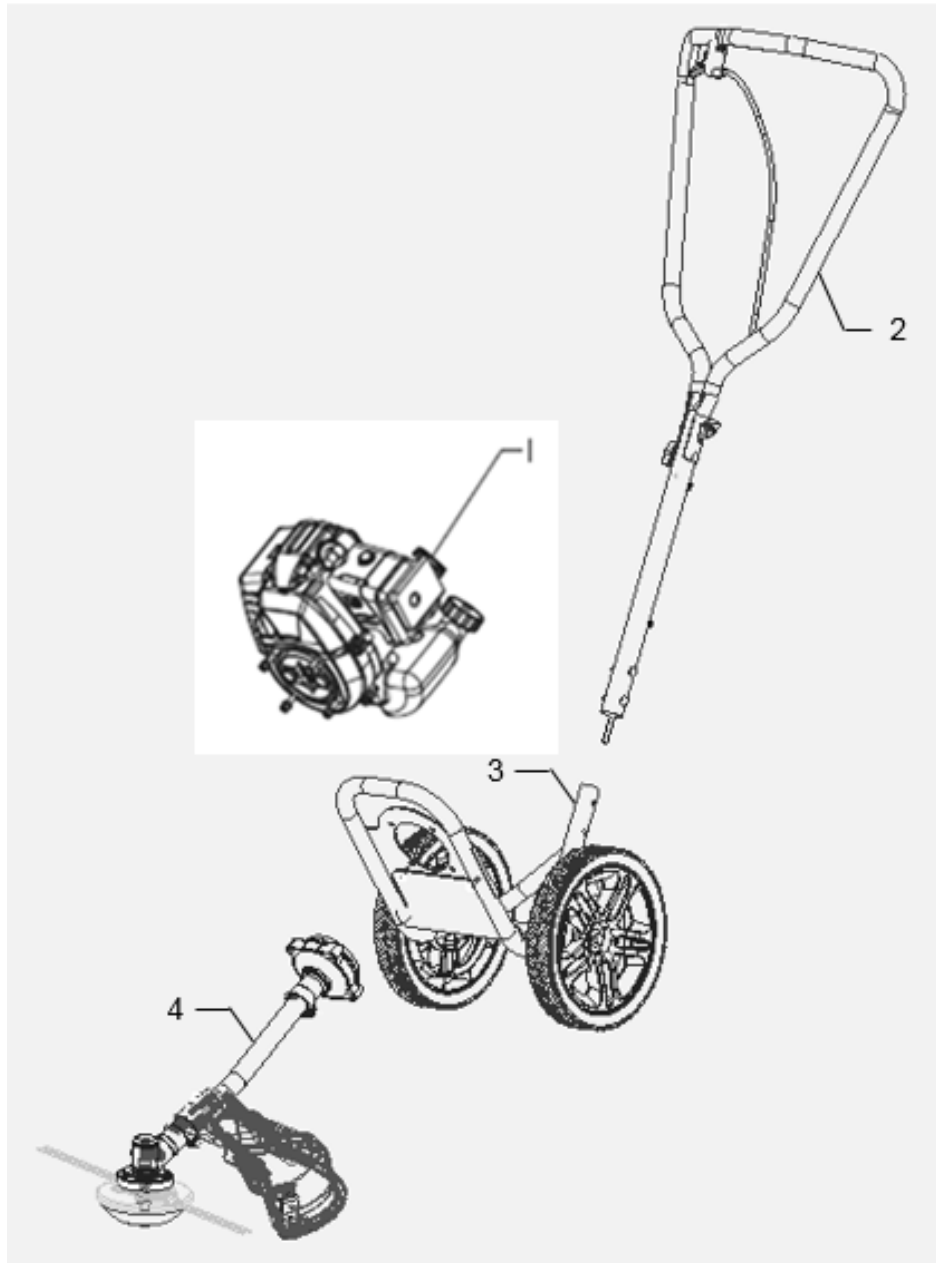
SOWST4317



Table of Contents

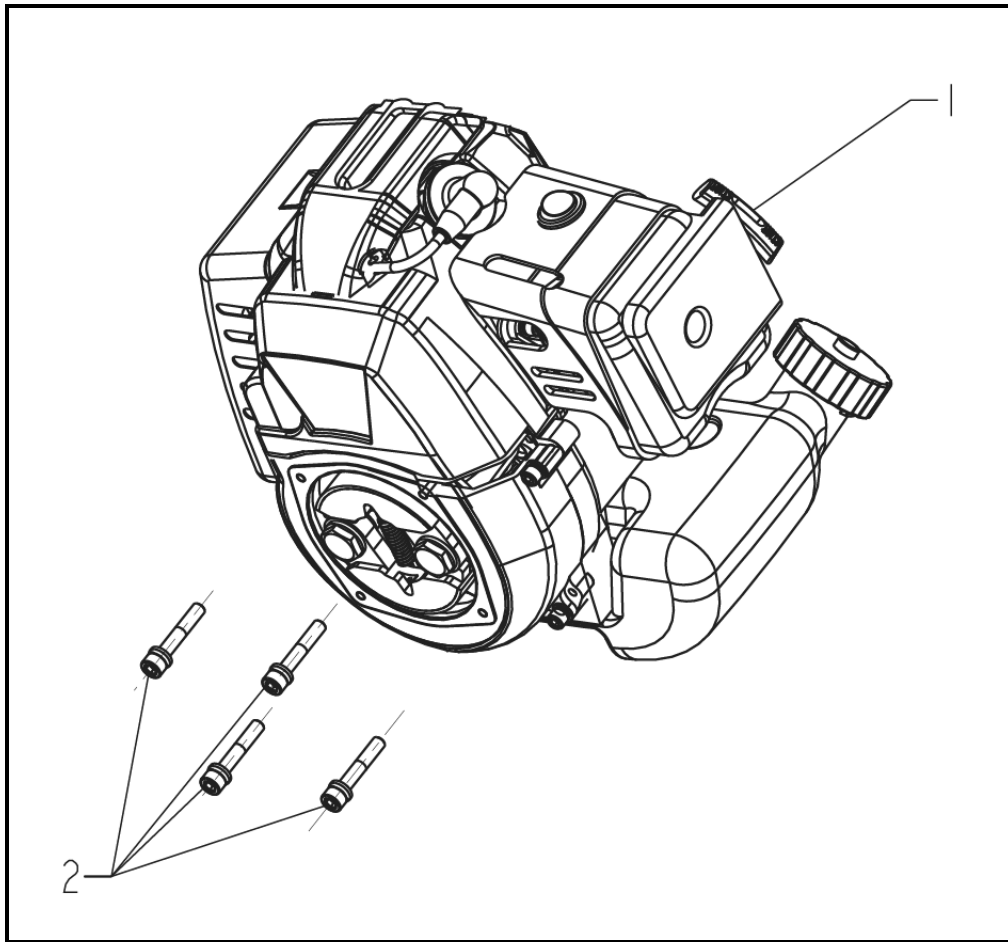
Unit Assembly	2
Engine-Top Level	3
Handle Assembly	4
Lower Weldment Assembly	5
Cutting Head Assembly	6
Engine Sub-Assemblies:	
Air Filter Assembly	7
Carburetor Assembly	8
Muffler Assembly	9
Fuel Tank Assembly	10
Clutch Assembly	11
Recoil Starter Assembly	12
Cylinder Assembly	13
Ignition Assembly	14
Air Cooling Assembly	15
Engine Air Intake Screen Assembly	16
Decal Kit	17

Unit Assembly



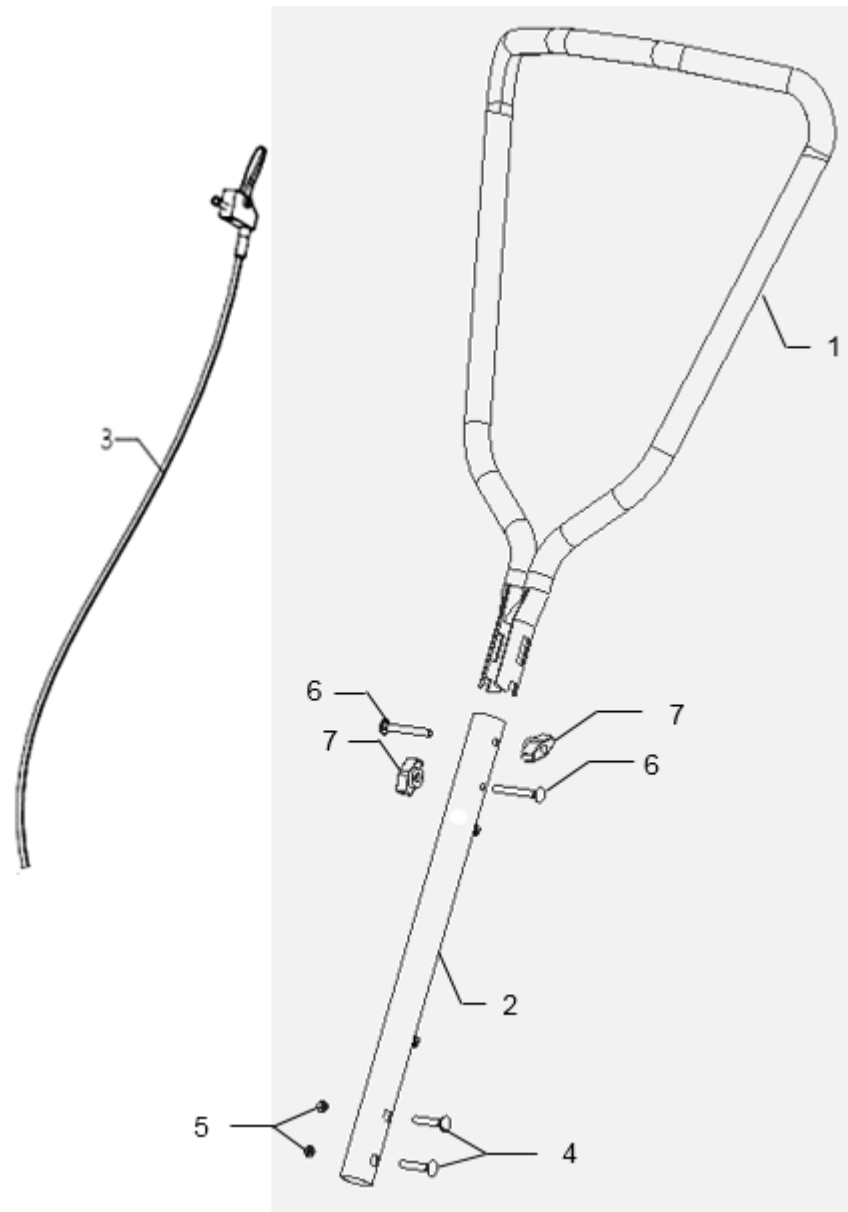
REF. NO.	DESCRIPTION	PART NO.	QTY
1	Engine-Top Level	See Page 3	1
2	Handle Assembly	See Page 4	1
3	Lower Weldment Assembly	See Page 5	1
4	Cutting Head Assembly	See Page 6	1

Engine-Top Level



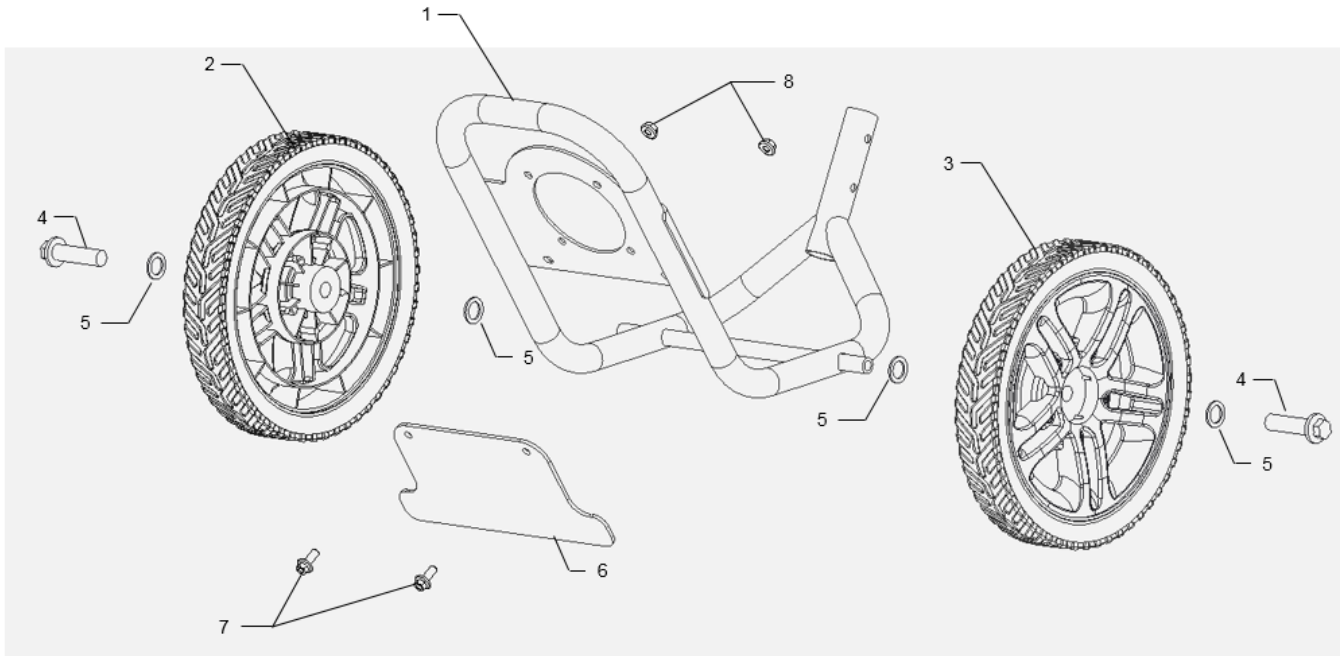
REF. NO.	DESCRIPTION	PART NO.	QTY
1	Engine, 43cc	A203550	1
2	Screw, M6 x 1.0 x 35, SHCS, Grade 8.8	<i>Reference Only</i>	4

Handle Assembly



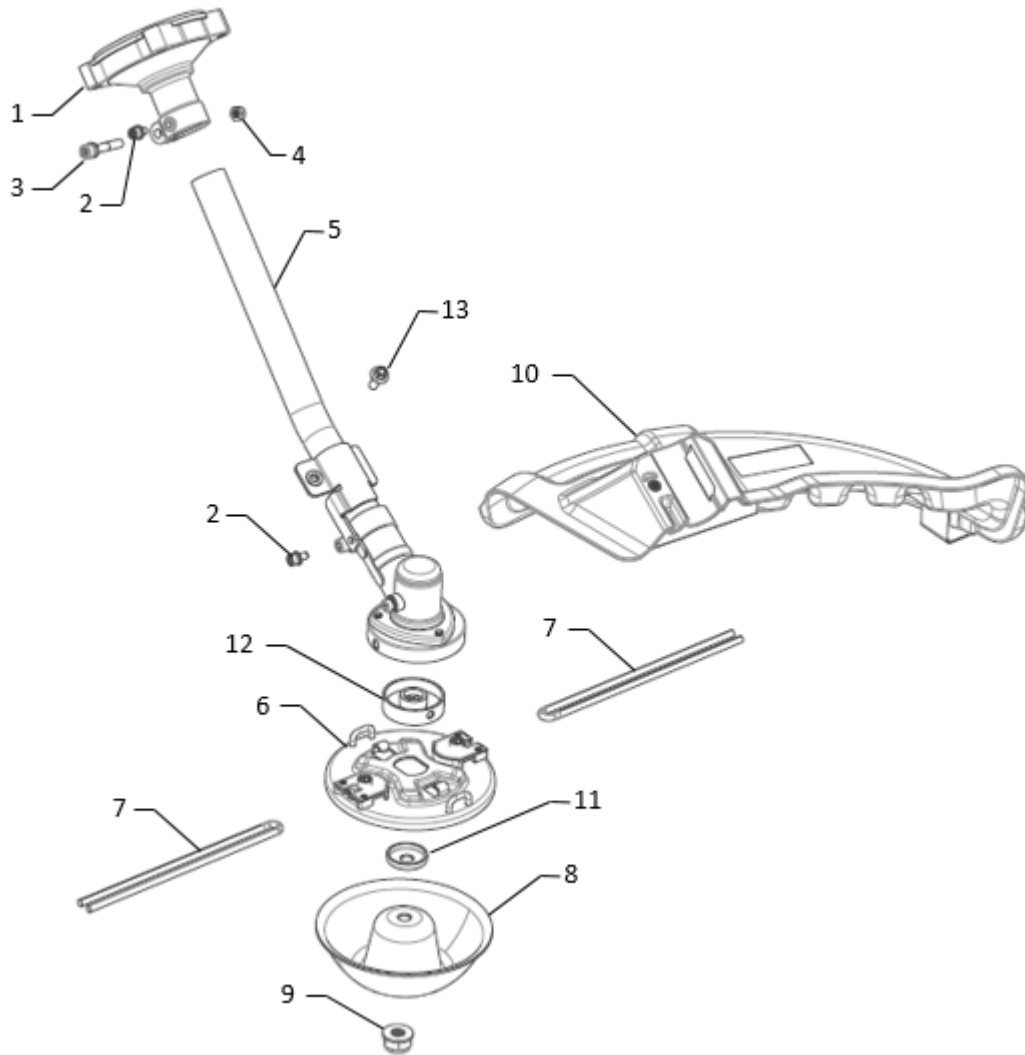
REF. NO.	DESCRIPTION	PART NO.	QTY
1	Handle, Upper	A204158	1
2	Handle, Middle	A204159	1
3	Kit, Throttle Assembly	A204160	1
4	Screw, M6 x 35, Hex Flange	<i>Reference Only</i>	2
5	Nut, M6, Hex Lock	<i>Reference Only</i>	2
6	Bolt, M8 x 1.25 x 65, Round Head Square Neck	<i>Reference Only</i>	2
7	Knob, Handle	A204161	2

Lower Weldment Assembly



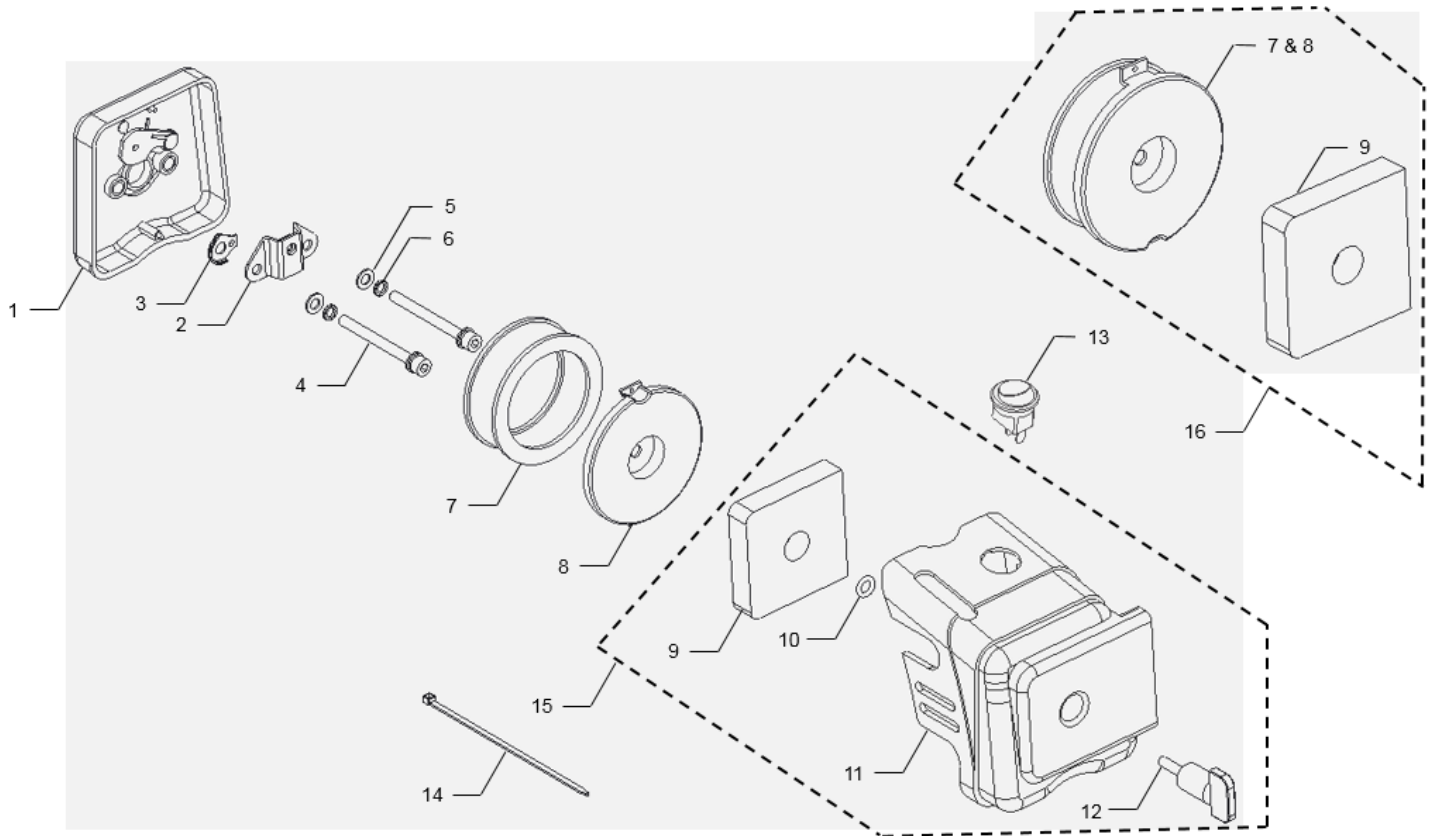
REF. NO.	DESCRIPTION	PART NO.	QTY
1	Weldment, Lower Frame	A204162	1
2	Assembly, Wheel - RH	A204163	1
3	Assembly, Wheel - LH	A204230	1
4	Bolt, M10 x 1.5 x 20, HFH, Grade 8.8	<i>Reference Only</i>	2
5	Washer, Wheel	A204164	4
6	Flap, Guard	A203680	1
7	Bolt, M6 x 1.0 x 16, HFH, Grade 8.8	<i>Reference Only</i>	2
8	Nut, M6 x 1.0	<i>Reference Only</i>	2

Cutting Head Assembly



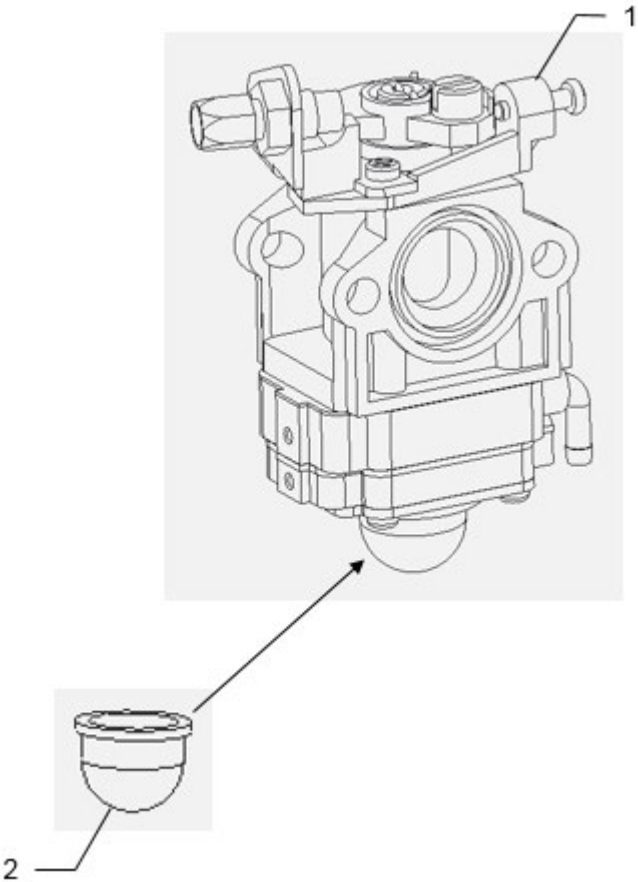
REF. NO.	DESCRIPTION	PART NO.	QTY
1	Upper Drive Housing Assembly	A204165	1
2	Screw, M6 x 1.0 x 12, SHCS	A204303	1
3	Screw, M6 x 1.0 x 25, SHCS	<i>Reference Only</i>	1
4	Nut, M6, Hex Lock	<i>Reference Only</i>	1
5	Kit, Cutting Head Assembly (Includes Item #12)	A204166	1
6	Kit, String Retention, Southland Red (Includes Item #12)	A204167	1
7	String, Trimmer	<i>Reference Only</i>	2
8	Bowl, Cutting Head, Southland Red	A204168	1
9	Nut, M10 x 1.25, LH	A203638	1
10	Kit, Debris Guard	A203635	1
11	Spacer	A203764	1
12	Spacer, Geared Cutting Head	<i>Reference Only</i>	1
13	Bolt, M6 x 1.0 x 16, HFH, Grade 8.8	A204304	1

Air Filter Assembly



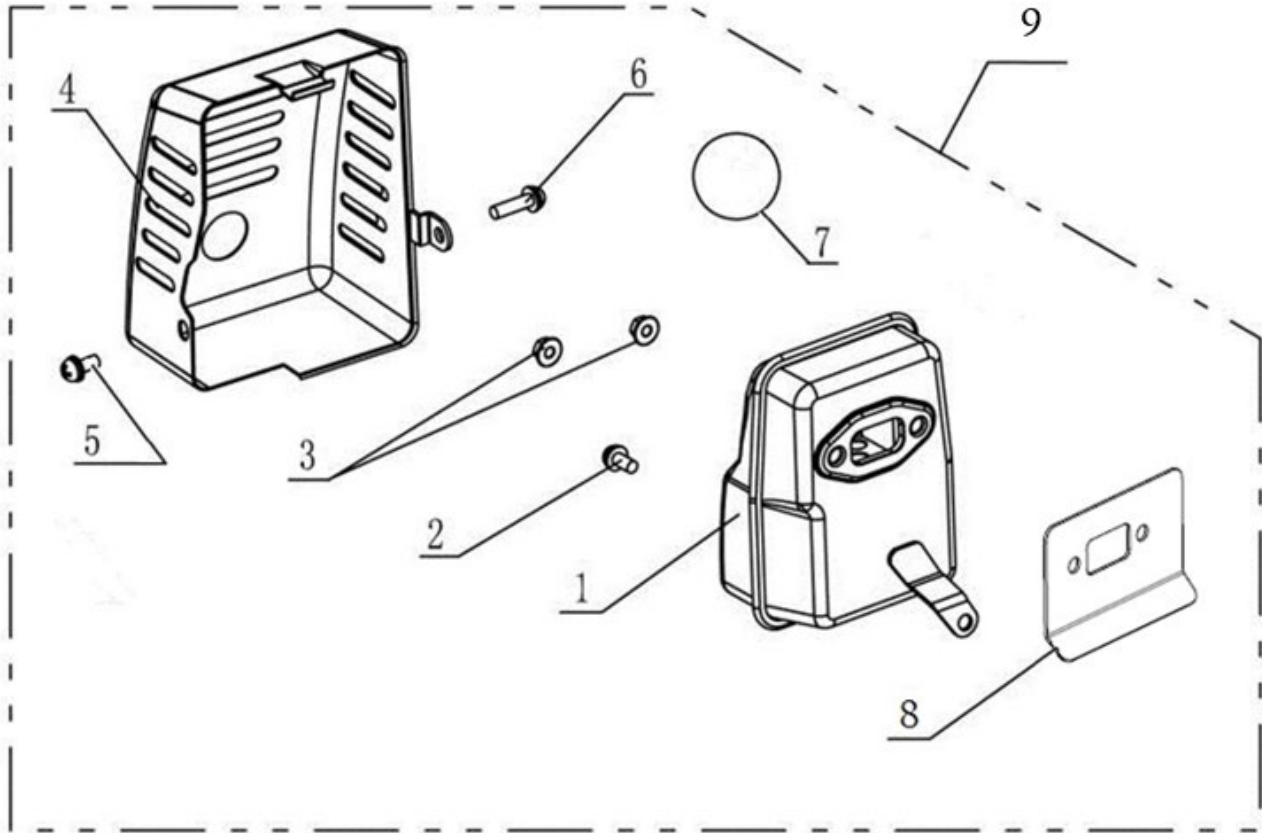
REF. NO.	DESCRIPTION	PART NO.	QTY
1	Housing, Air Filter	A200832	1
2	Bracket, Air Filter Mounting	A203644	1
3	Plate, Choke	A204238	1
4	Screw, M5 x 0.8 x 55, SHCS, Grade 8.8	Reference Only	2
5	Flat Washer, M5	Reference Only	2
6	Lock Washer, M5	Reference Only	2
7	Filter, Pleated	Reference Only	1
8	Mounting Plate, Air Filter	A200836	1
9	Filter, Foam Element	Reference Only	1
10	O-Ring, 3.15 x 1.8	Reference Only	1
11	Cover, Air Filter	Reference Only	1
12	Knob, Screw	A200770	1
13	Switch, On/Off	A203060	1
14	Cable Tie	Reference Only	1
15	Kit, Air Filter Cover with Filter (Includes items #9-12)	A203642	1
16	Kit, Filters (Includes items #7, 8, & 9)	A203643	1

Carburetor Assembly



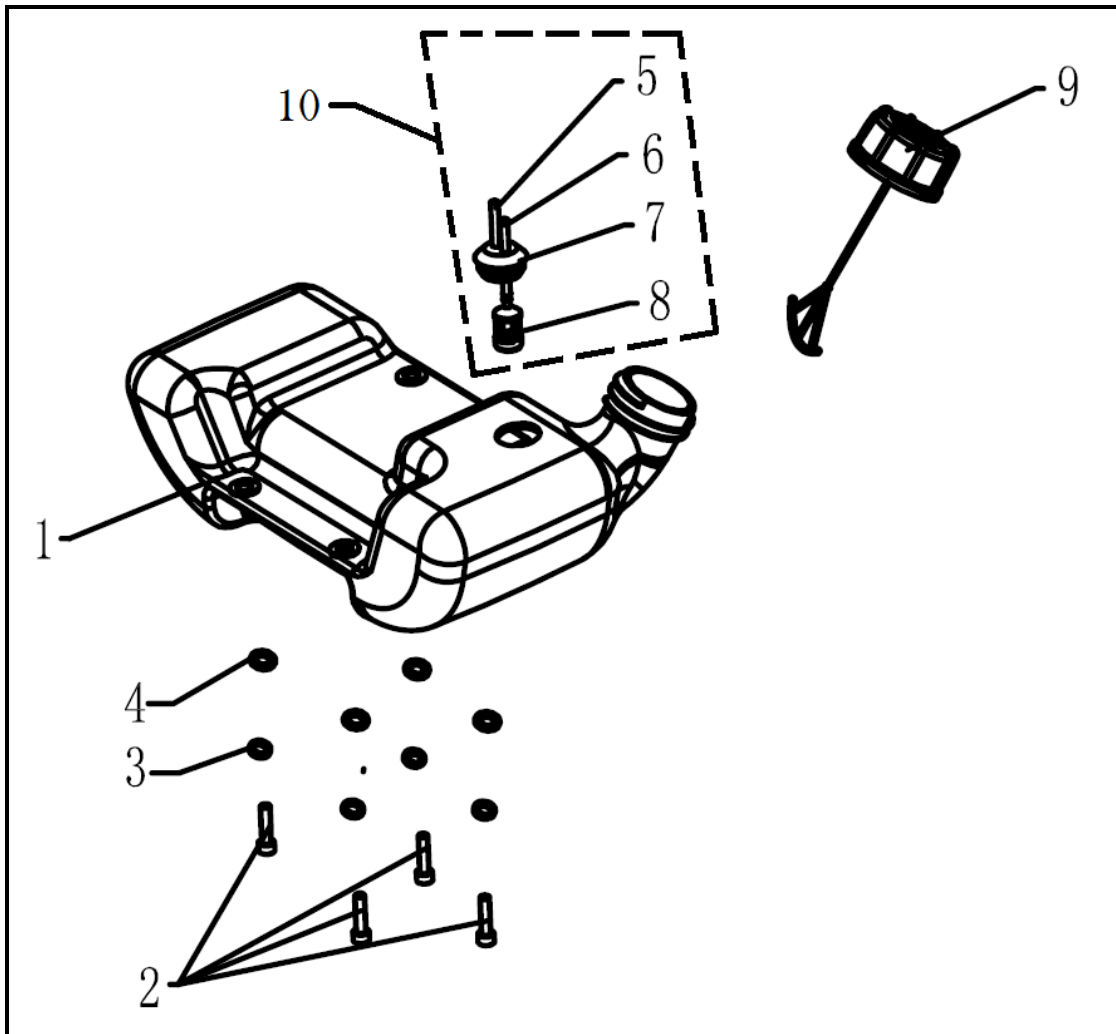
REF. NO.	DESCRIPTION	PART NO.	QTY
1	Carburetor	A200774	1
2	Primer Bulb	A202743	1

Muffler Assembly



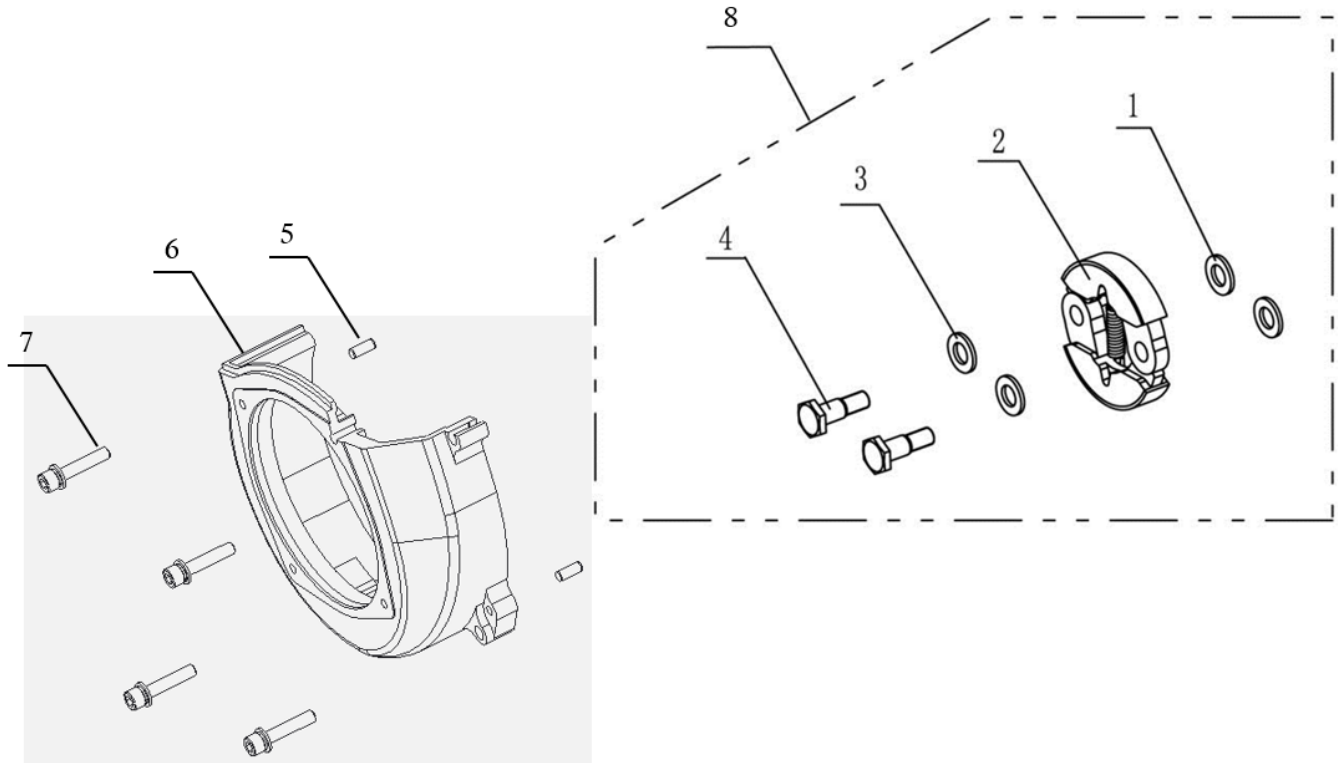
REF. NO.	DESCRIPTION	PART NO.	QTY
1	Muffler	<i>For Reference Only</i>	1
2	Bolt M5x10	<i>For Reference Only</i>	1
3	Nut M6	<i>For Reference Only</i>	2
4	Cover, Muffler	A200844	1
5	Bolt M5x12	<i>For Reference Only</i>	1
6	Bolt M5x25	<i>For Reference Only</i>	1
7	Label, Hot	<i>For Reference Only</i>	1
8	Gasket, Muffler	A201107	1
9	Muffler Assembly (Includes items #1-8)	A200775	1

Fuel Tank Assembly



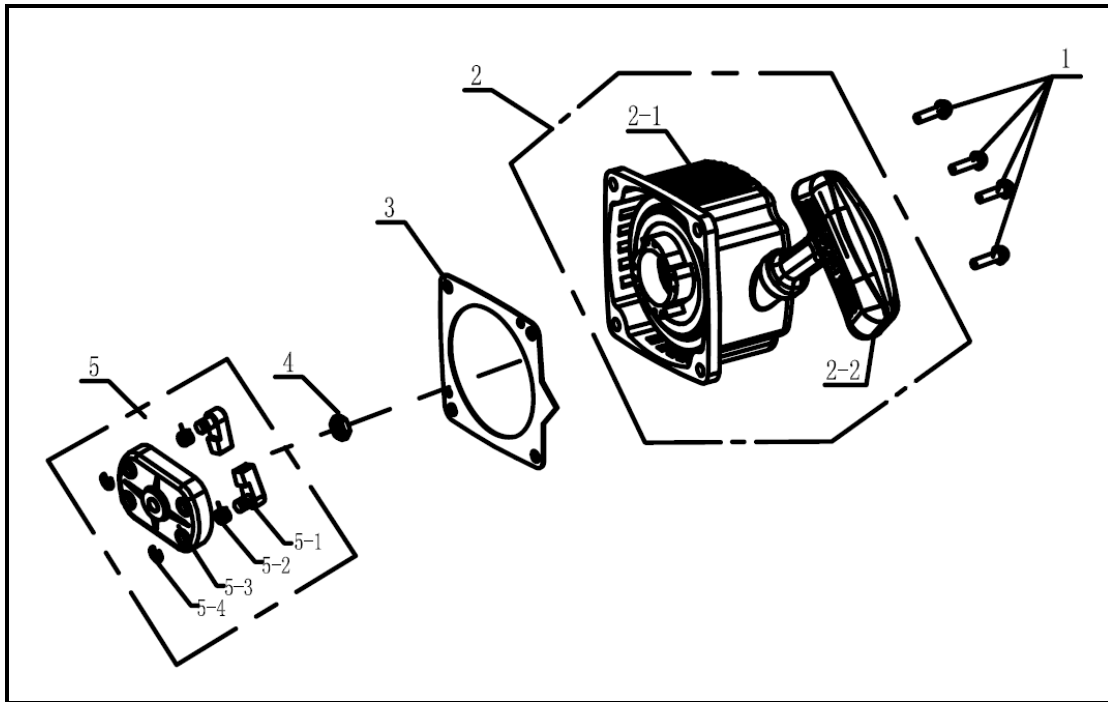
REF. NO.	DESCRIPTION	PART NO.	QTY
1	Tank, Fuel	A203640	1
2	Screw, M5 x 0.8 x 18, SHCS, Grade 8.8	Reference Only	4
3	Lock Washer, M5	Reference Only	4
4	Flat Washer, M5	Reference Only	4
5	Fuel Line 1	Reference Only	1
6	Fuel Line 2	Reference Only	1
7	Seal, Fuel Lines	Reference Only	1
8	Filter, Fuel	Reference Only	1
9	Cap, Fuel	A200781	1
10	Kit, Fuel Line/Filter (Includes items #5-8)	A203641	1

Clutch Assembly



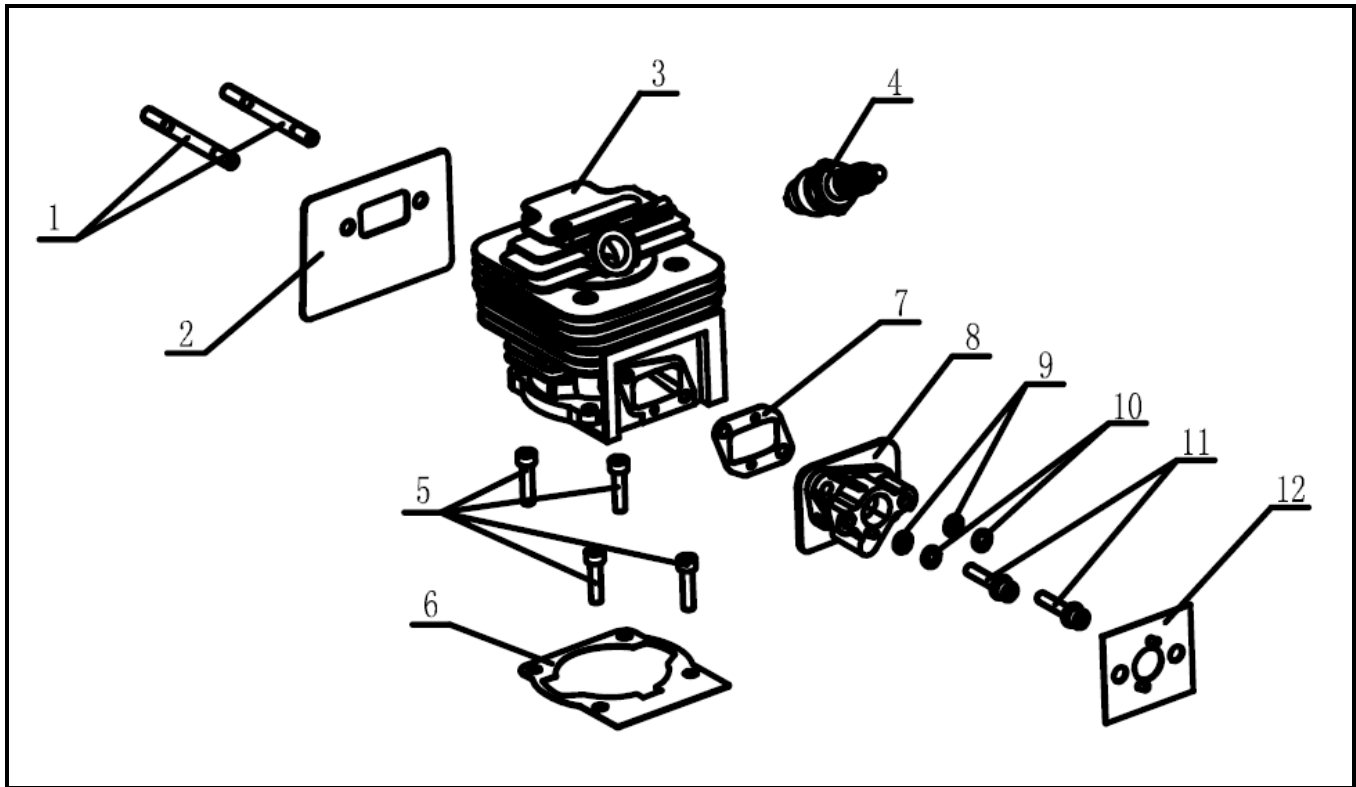
REF. NO.	DESCRIPTION	PART NO.	QTY
1	Flat Washer, M8	<i>Reference Only</i>	2
2	Clutch Shoes and Spring	<i>Reference Only</i>	1
3	Wave Spring Washer, M8	<i>Reference Only</i>	2
4	Bolt, M8 x 1.25 x 24, Hex Head Shoulder	<i>Reference Only</i>	2
5	Pin	<i>Reference Only</i>	2
6	Cover, Flywheel	A203679	1
7	Screw, M5 x 0.8 x 23, PHPD	<i>Reference Only</i>	4
8	Assembly, Clutch	A200782	1

Recoil Starter Assembly



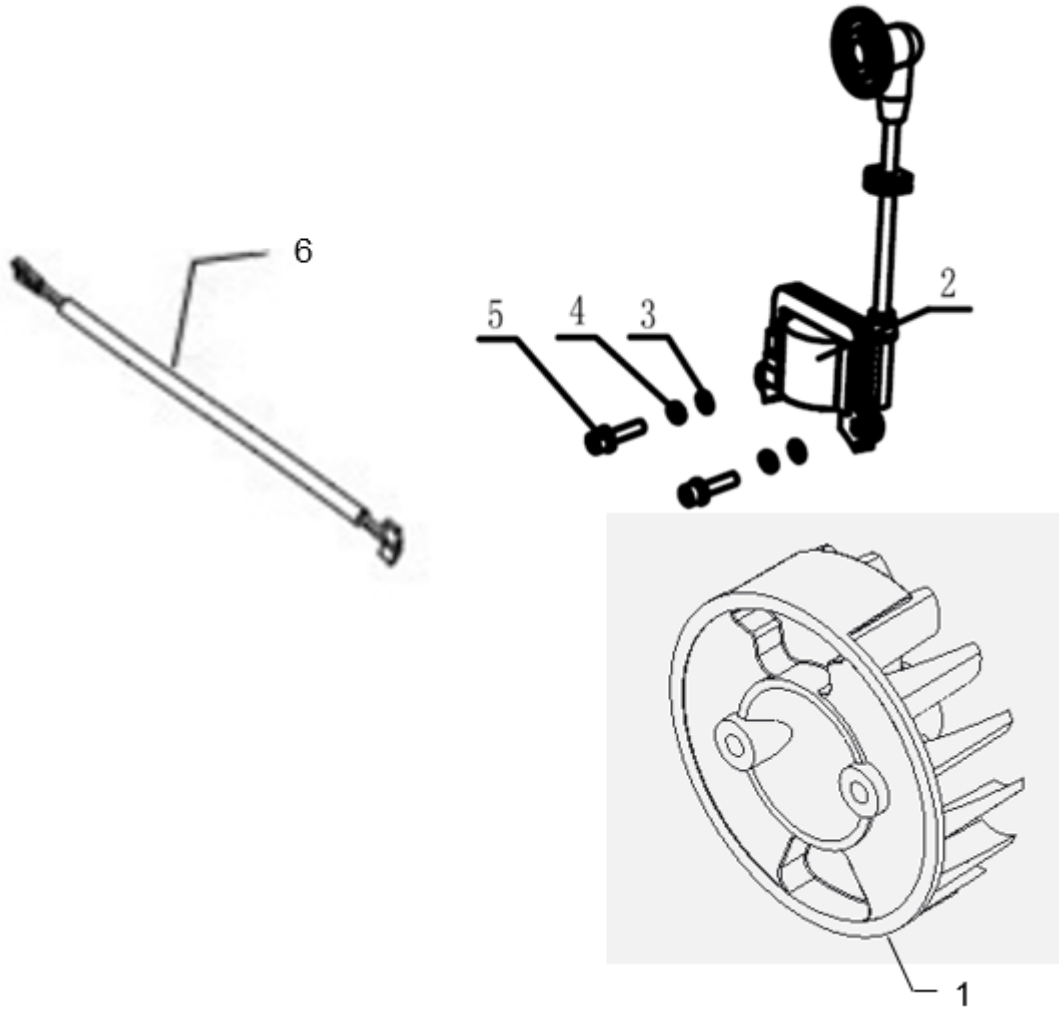
REF. NO.	DESCRIPTION	PART NO.	QTY
1	Screw, M5 x 0.8 x 20, PHPD	<i>Reference Only</i>	4
2	Recoil Starter	A203645	1
2-1	Recoil	<i>Reference Only</i>	1
2-2	Handle, Recoil Starter	<i>Reference Only</i>	1
3	Gasket, Recoil Starter	A200865	1
4	Nut, M8 x 1.25	<i>Reference Only</i>	1
5	Assembly, Starter Pawl	A200697	1
5-1	Ratchet, Starting	<i>Reference Only</i>	2
5-2	Spring, Returning	<i>Reference Only</i>	2
5-3	Base, Starting Ratchet	<i>Reference Only</i>	1
5-4	Clip	<i>Reference Only</i>	2

Cylinder Assembly



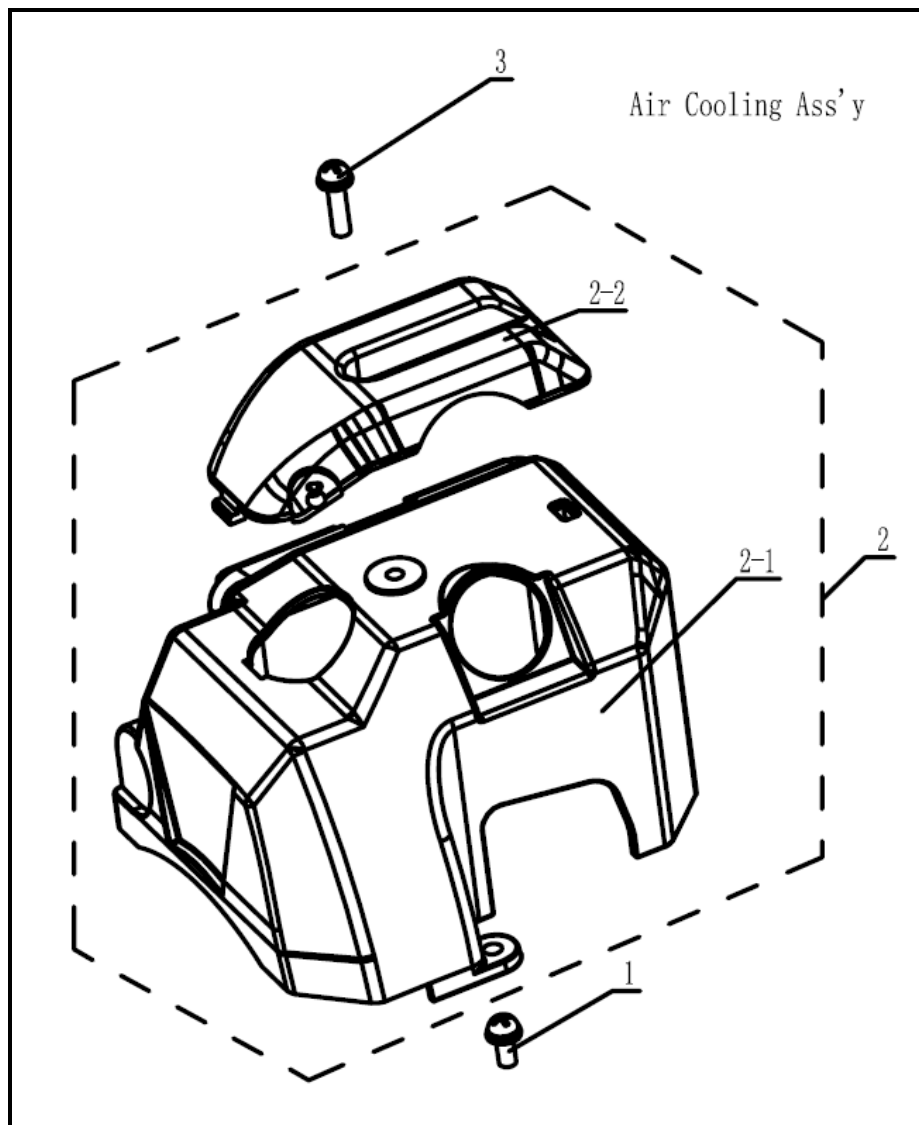
REF. NO.	DESCRIPTION	PART NO.	QTY
1	Stud, M6 x 1.0 x 63	<i>Reference Only</i>	2
2	Gasket, Muffler	A201107	1
3	Cylinder	<i>Reference Only</i>	1
4	Spark Plug	A200730	1
5	Screw, M5 x 0.8 x 20, SHCS, Grade 8.8	<i>Reference Only</i>	4
6	Gasket, Cylinder	<i>Reference Only</i>	1
7	Gasket, Isolator	A200838	1
8	Assembly, Carburetor Isolator	A200839	1
9	Flat Washer, M5	<i>Reference Only</i>	2
10	Lock Washer, M5	<i>Reference Only</i>	2
11	Screw, M5 x 0.8 x 25, SHCS, Grade 8.8	<i>Reference Only</i>	2
12	Gasket, Carburetor	A200841	1

Ignition Assembly



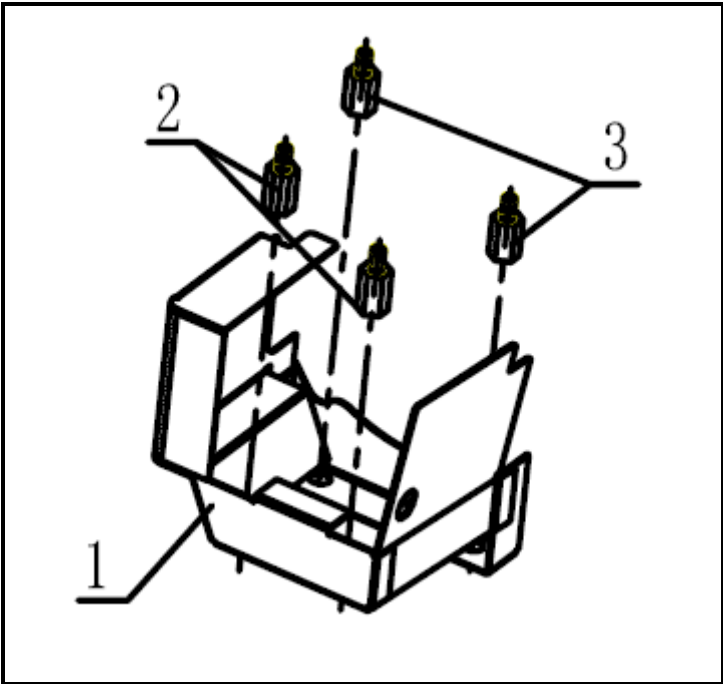
REF. NO.	DESCRIPTION	PART NO.	QTY
1	Flywheel	A202704	1
2	Ignition Module	A202703	1
3	Flat Washer, M5	<i>Reference Only</i>	2
4	Lock Washer, M5	<i>Reference Only</i>	2
5	Screw, M5 x 0.8 x 20, SHCS, Grade 8.8	<i>Reference Only</i>	2
6	Wire Harness	A203729	1

Air Cooling Assembly



REF. NO.	DESCRIPTION	PART NO.	QTY
1	Screw, M5 x 0.8 x 16, PHPD	<i>Reference Only</i>	1
2	Assembly, Air Cover	A203676	1
2-1	Cover, Cylinder	<i>Reference Only</i>	1
2-2	Cover, Air Cooling	<i>Reference Only</i>	1
3	Screw, M5 x 0.8 x 23, PHPD	<i>Reference Only</i>	1

Engine Air Intake Screen Assembly



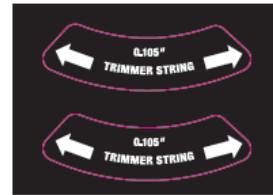
REF. NO.	DESCRIPTION	PART NO.	QTY
1	Screen, Engine Air Intake	<i>Reference Only</i>	1
2	Bushing 1	<i>Reference Only</i>	2
3	Bushing 2	<i>Reference Only</i>	2
4	Assembly, Engine Air Intake Screen (Includes items #1-3)	A203677	1

Decal Kit

SOWST4317
Southland Wheeled String Trimmer-Mower



MFG Date Code: 8 46236 01081 5




Multi String Size Placement Decal

TO START

- 1 Add 50:1 mix of 2 cycle engine oil and fresh gasoline to fuel tank.
- 2 Push ON/OFF switch to "ON" position.
- 3 Move choke lever to the "COLD START" (full choke) position.
- 4 Press primer bulb minimum 8 times.
- 5 Pull recoil starter rope until engine starts and wait a few seconds before moving to half choke.
- 6 Let engine run at half choke for approximately 1 minute and move choke lever to "RUN" position.
- 7 If engine fails to start, wait about 30 seconds and repeat the steps above.

SEE TO OPERATORS MANUAL FOR MORE INFO

FOR SERVICE



800-737-2112
southislandpower
equipment.com




6700 Wildlife Way
Long Grove, IL 60047

MODEL	MFG. DATE CODE
SOWST4317	

Made in China For parts and service, call 1-800-737-2112

Check filter and service according to manufacturer's instructions (see manual).



Engine Decal
2" Diameter

6.95" x 1.35"

WARNING: CONTAINS LEAD. May be harmful if inhaled or swallowed. May generate dust containing lead. Wash hands after use. Keep out of reach of children. Information on lead is available at www.nrc.gov.
AVERTISSEMENT: CONTIENT DU PLOMB. Peut être nocif si inhalé ou avalé. Peut générer de la poussière contenant du plomb. Se laver les mains après usage. Garder hors de portée des enfants.
AVVERTIMENT: Contiene plomo. Puede ser dañino si se inhala o se traga. Puede generar polvo que contiene plomo. Lávese las manos después del uso. Manténgalo fuera del alcance de los niños.
AVVERTIMENTO: Este producto puede contener o producir polvo que contiene plomo, conocido por el Estado de California como sustancia de cadáver, dañosa al nacimiento u otros efectos del sistema reproductivo. Para obtener más información, visite www.cdph.ca.



Logo Decal
80x20mm



Fuel Mixture 50:1
Unleaded Gas: 2 Cycle Oil

NOTICE

Clean the engine air intake screen everytime the trimmer string is replaced.

MIXTURE AND NOTICE DECAL
90MM X 31.75MM
RADIUS= 6.35MM

2-CYCLE ENGINE OIL

Add contents of this bottle to 1 gallon of gasoline and mix thoroughly for 50:1 ratio.

CAUTION: HARMFUL OR FATAL IF SWALLOWED.
Contains Petroleum Distillates. Avoid contact or prolonged contact with skin. If transferred, DO NOT REBURY OR REUSE. Call a physician immediately.

Redeigned in China

2-CYCLE DECAL
45MM X 35MM
RADIUS= 6.35MM

REF. NO.	DESCRIPTION	PART NO.	QTY
	Decal Kit	A203995	1