

# **SOUTHLAND™**

ILLUSTRATED PARTS BOOK

4-Cycle Lawn Edger

S-WLE-0799-F2N

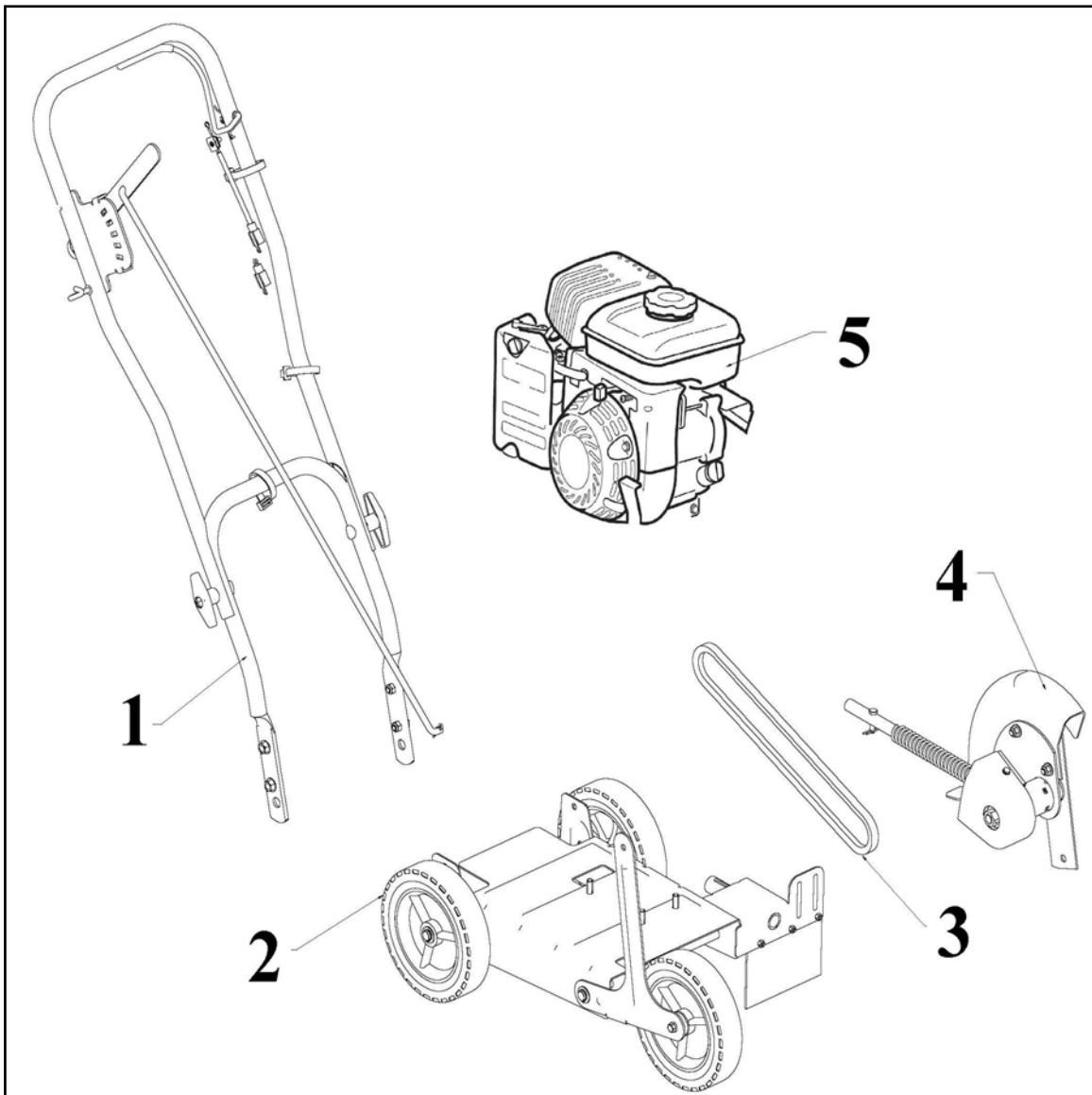




# Table of Contents

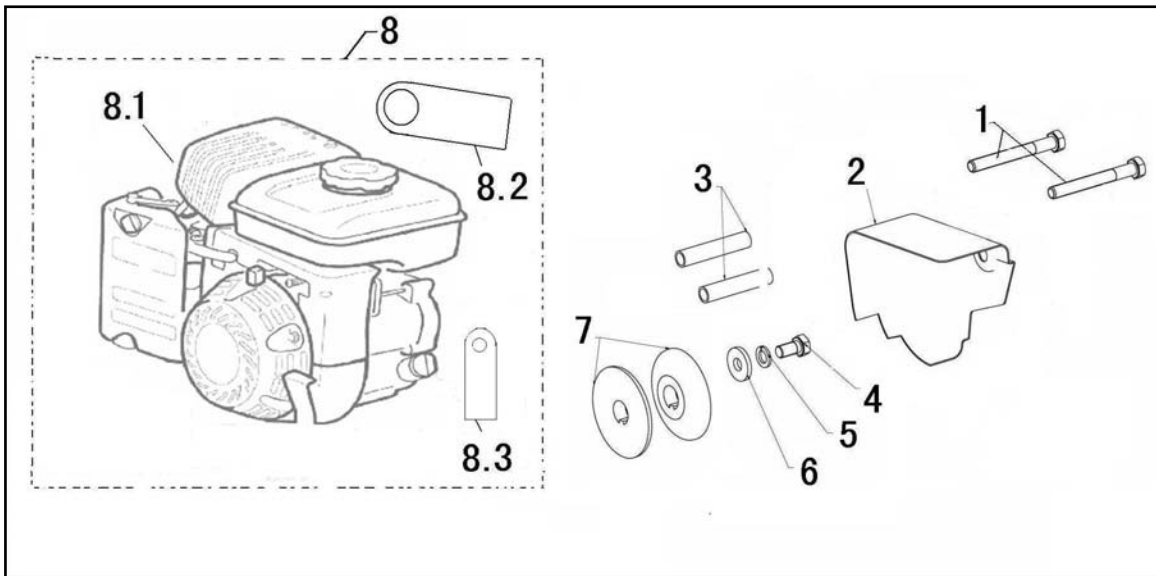
Top Level Assembly.....	3
Engine - Top Level Assembly .....	4
Frame Assembly .....	5
Blade Arm Assembly.....	7
Handle Assembly.....	9
Engine - Sub Level Assembly .....	11
Piston / Connecting Rod Assembly .....	13
Crankcase Cover Assembly .....	14
Crankshaft Assembly .....	15
Air Filter Assembly.....	16
Carburetor Assembly .....	17
Centrifugal Assembly .....	18
Fly Wheel Assembly .....	19
Fuel Tank Assembly.....	20
Muffler Assembly.....	21
Engine Side Assembly.....	23
Cylinder Head Assembly.....	25
Crankcase Assembly.....	27

# Top Level Assembly



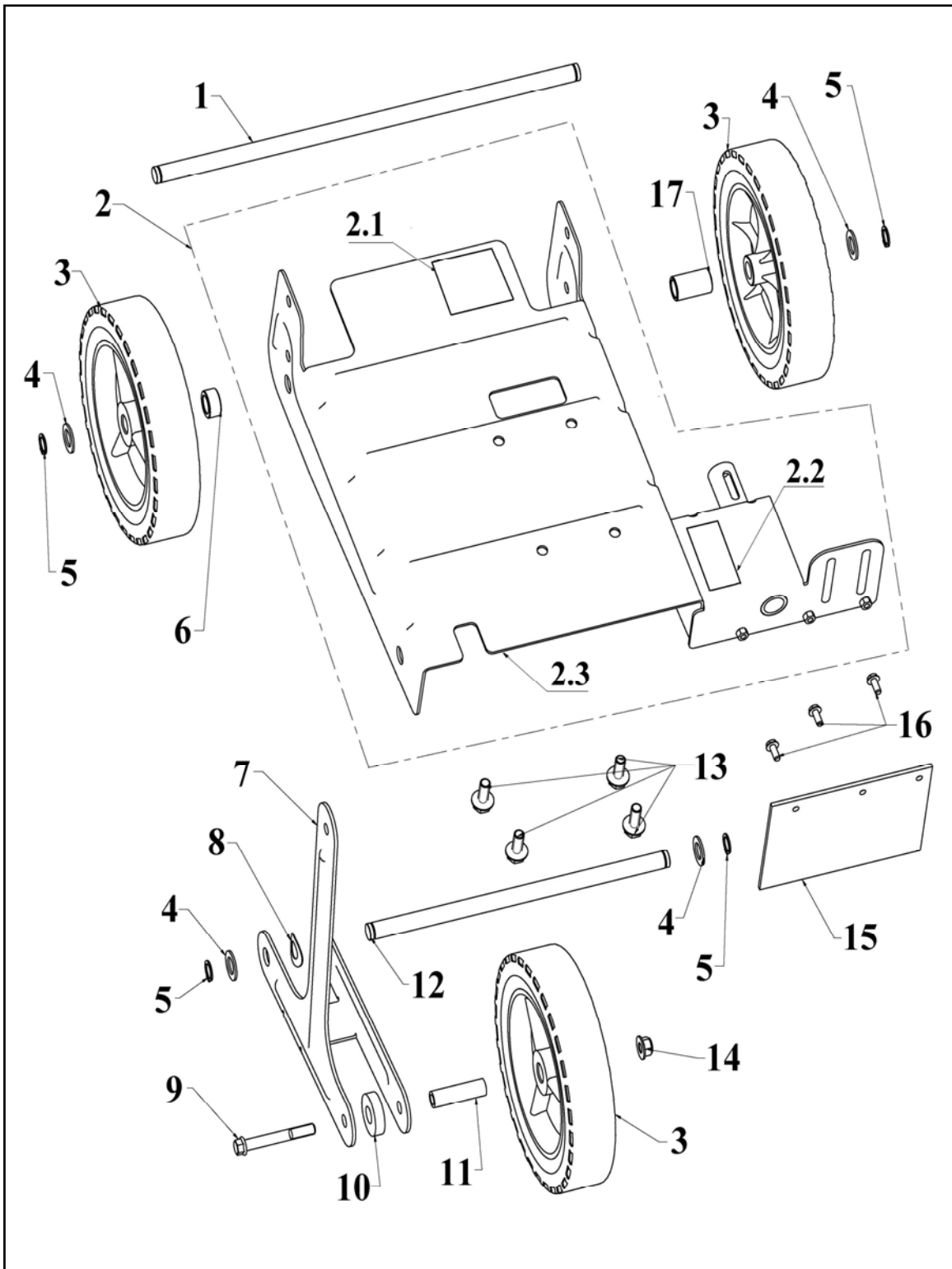
REF. NO.	DESCRIPTION	PART NO.	QTY
1	Handle Assembly	SEE PAGE 9	1
2	Frame Assembly	SEE PAGE 5	1
3	Belt, Edger	A100493	1
4	Blade Arm Assembly	SEE PAGE 7	1
5	Engine Top-Level Assembly	SEE PAGE 4	1

# Engine - Top Level Assembly



REF. NO.	DESCRIPTION	PART NO.	QTY
1	Bolt, M8X66	A100443	2
2	Cover, Engine Pulley	A101012	1
3	Spacer, Sleeve	A100442	2
4	Bolt, M8*1-20	A100444	1
5	Spring Washer 8	A100445	1
6	Flatwasher	A100446	1
7	Pulley, Half "V"	A100447	2
8	Engine Sub-level Assy w/ Labels	A100438	1
8.1	Engine Sub-Level Assembly	SEE PAGE XXX	1
8.2	Oil Hang Tag - Fuel Tank	A101015	1
8.3	Oil Hang Tag - Oil Dipstick	A100979	1

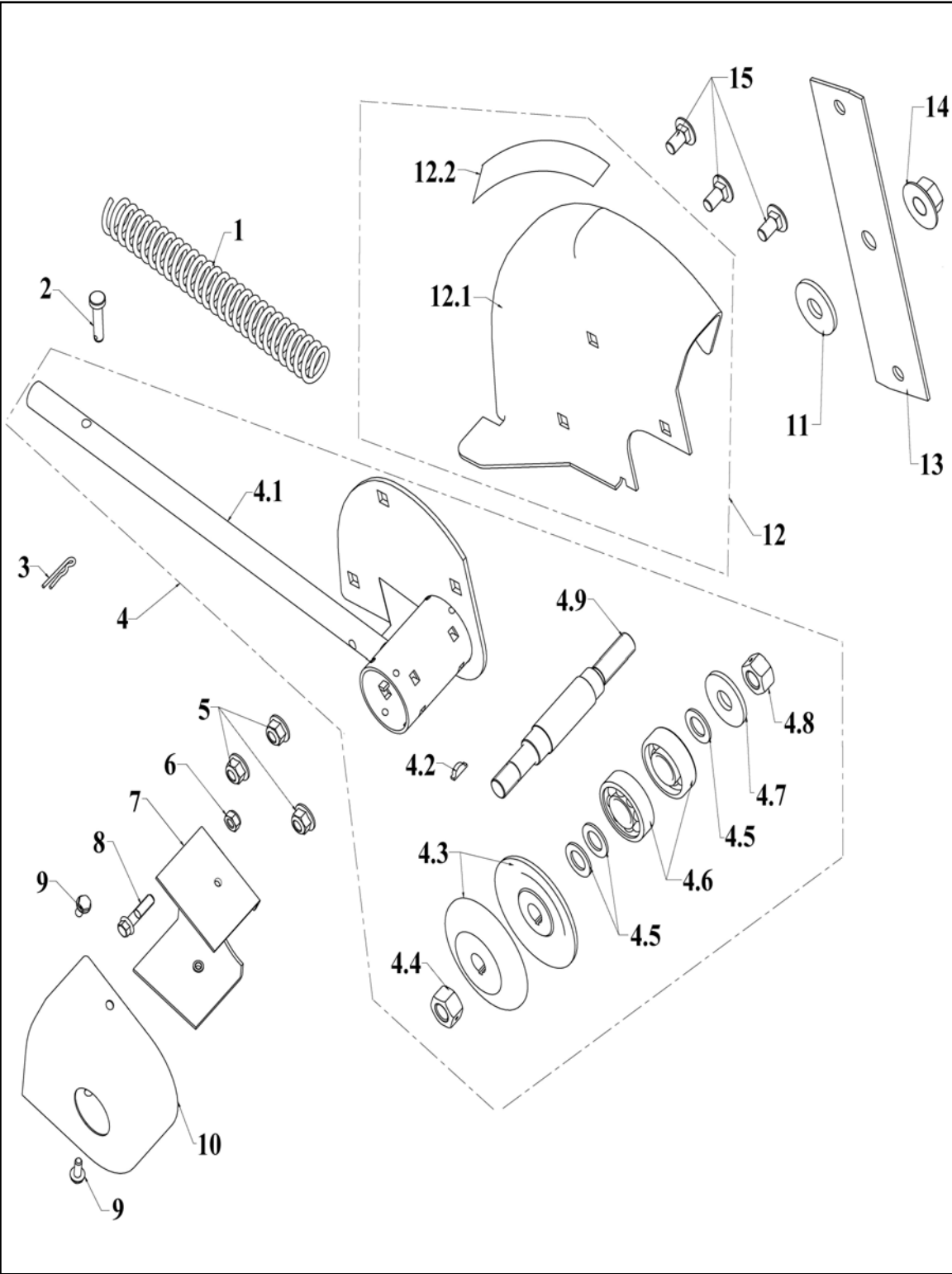
# Frame Assembly



## Frame Assembly

REF. NO.	DESCRIPTION	PART NO.	QTY
1	Rear Axle	A101374	1
2	Frame Sub-Assembly	A101381	1
2.1	Label, Warning	A101383	1
2.2	Label, Oil Fill	A101019	1
2.3	Frame	FOR REF	1
3	Tire & Rim	A101384	3
4	Flatwasher	A100497	4
5	E-Clip	A101385	4
6	Spacer, Sleeve	A101386	1
7	Bracket, Front Wheel	A101375	1
8	Spring Washer	A101376	1
9	Bolt, M8X60	A101377	1
10	Spacer, Plastic	A101378	1
11	Spacer, Sleeve	A101379	1
12	Front Axle	A101380	1
13	Bolt, M8X20	A100705	4
14	Nut, M8	A100450	1
15	Deflector, Rubber	A100468	1
16	Bolt, M5X12	A100472	3
17	Spacer, Sleeve	A101382	1

# Blade Arm Assembly

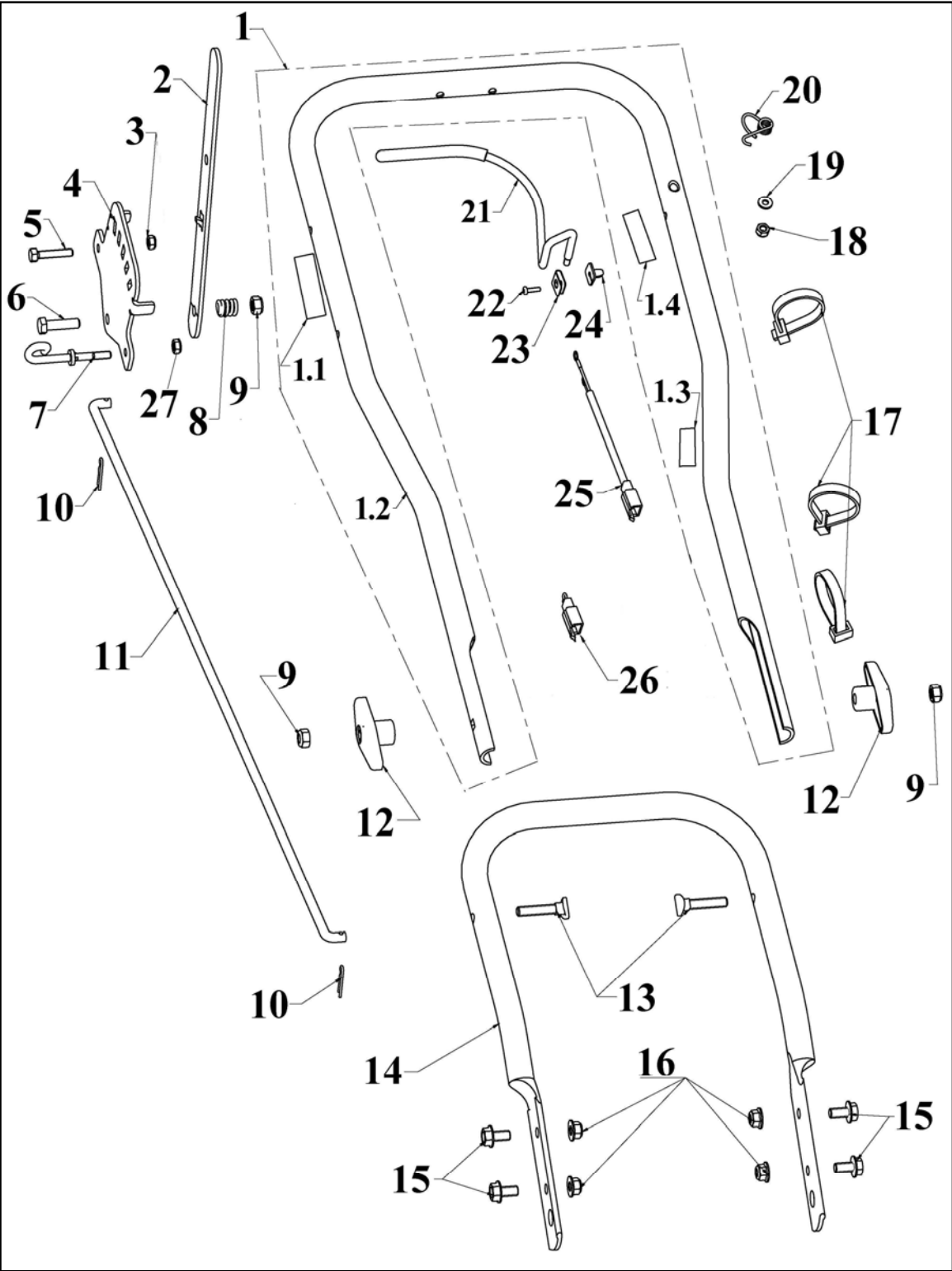




## Blade Arm Assembly

REF. NO.	DESCRIPTION	PART NO.	QTY
1	Spring	A100507	1
2	Pin, Blade Arm	A101388	1
3	Cotter Pin	A100452	1
4	Drive Shaft Assembly	A101390	1
4.1	Blade Arm	A101391	1
4.2	Key	A100499	1
4.3	Pulley, Half "V"	A100989	2
4.4	Nut, M12X1.25	A100492	1
4.5	Flatwasher	A100497	3
4.6	Bearing, 6203-2RS	A100498	2
4.7	Flatwasher	A100502	1
4.8	Nut, M12X1.25	A100496	1
4.9	Drive Shaft	A100500	1
5	Nut, M8	A100450	3
6	Nut, M6	A100791	1
7	Guide, Belt	A101387	1
8	Bolt, M6X25	A100495	1
9	Bolt, M5X12	A100472	2
10	Cover, Quill Pulley	A101123	1
11	Flatwasher	A100502	1
12	Blade Guard Assembly	A101124	1
12.1	Blade Guard	FOR REF	1
12.2	Label, Blade Danger	A100993	1
13	Blade, Edger	A101389	1
14	Nut, M12X1.25	A100704	1
15	Bolt, Carriage	A100504	3

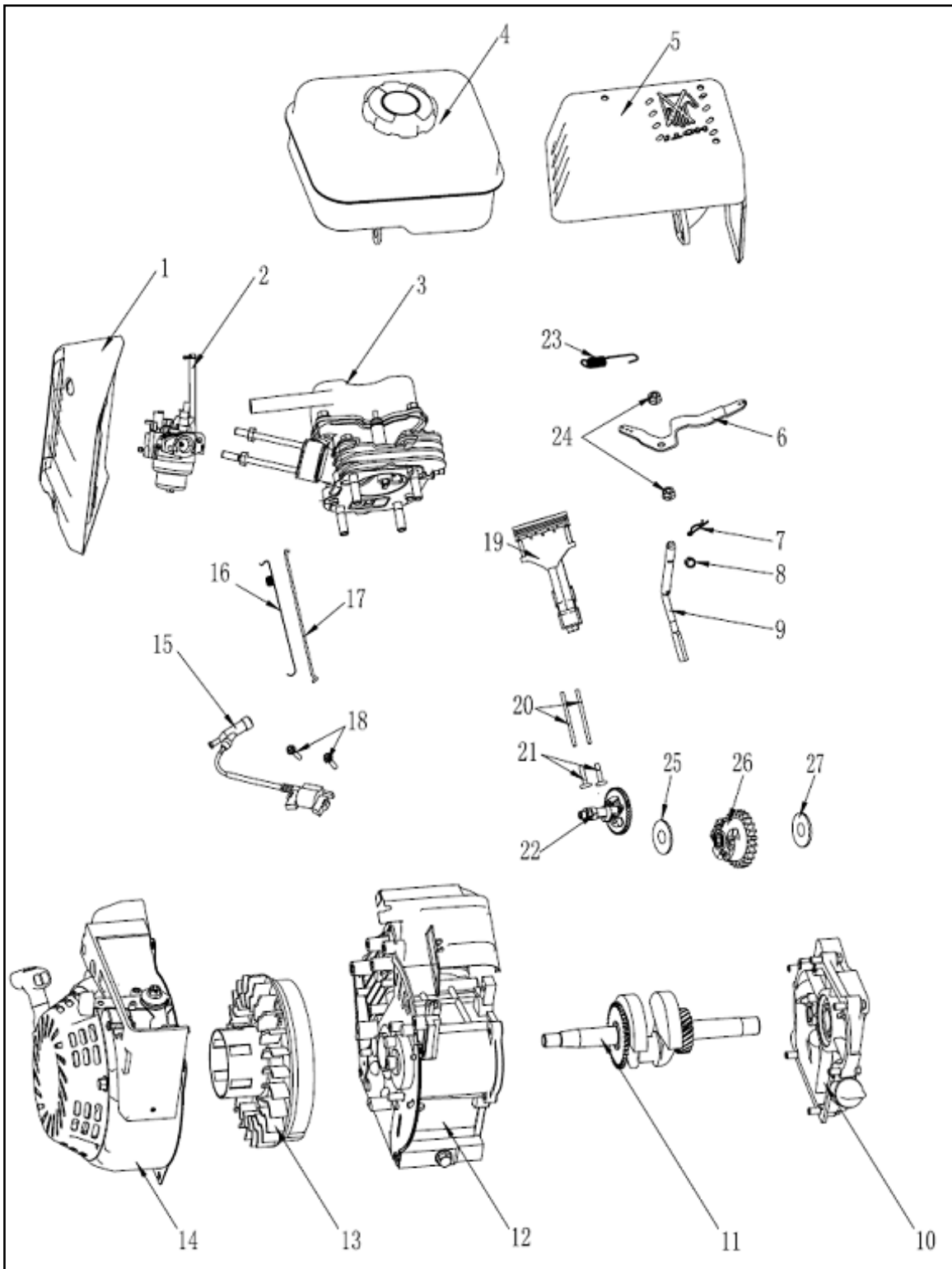
# Handle Assembly



## Handle Assembly

REF. NO.	DESCRIPTION	PART NO.	QTY
1	Upper Handle Assembly	A101392	1
1.1	Label, Cutting Depth	A101395	1
1.2	Upper Handle	FOR REF	1
1.3	Label, Wire Warning	A101035	1
1.4	Label, Start/Stop	A101398	1
2	Depth Adjust Lever	A101399	1
3	Nut, M6	A100791	1
4	Depth Selector Plate	A101400	1
5	Bolt, M6X32	A100528	1
6	Bolt, M8X30	A100709	1
7	Guide, Rope	A100521	1
8	Spring, Compression	A100527	1
9	Nut, M8	A100710	3
10	Hair Pin	A100533	2
11	Control Rod	A101393	1
12	Knob, Wing	A101125	2
13	Bolt	A100523	2
14	Lower Handle	A101394	1
15	Bolt, M8X16	A100458	4
16	Nut, M8	A100450	4
17	Cable Tie	A100522	3
18	Nut, M5	A100517	1
19	Flatwasher	A100793	1
20	Torsion Spring	A101396	1
21	Start Lever	A101397	1
22	Screw, ST3.5X12.7	A100518	1
23	Clip, Grounding	A100519	1
24	Insulator, Operator Control	A100516	1
25	Flameout Wire	A101051	1
26	Grounding Terminal	A101037	1
27	Nut, 1/4-20	A100707	1

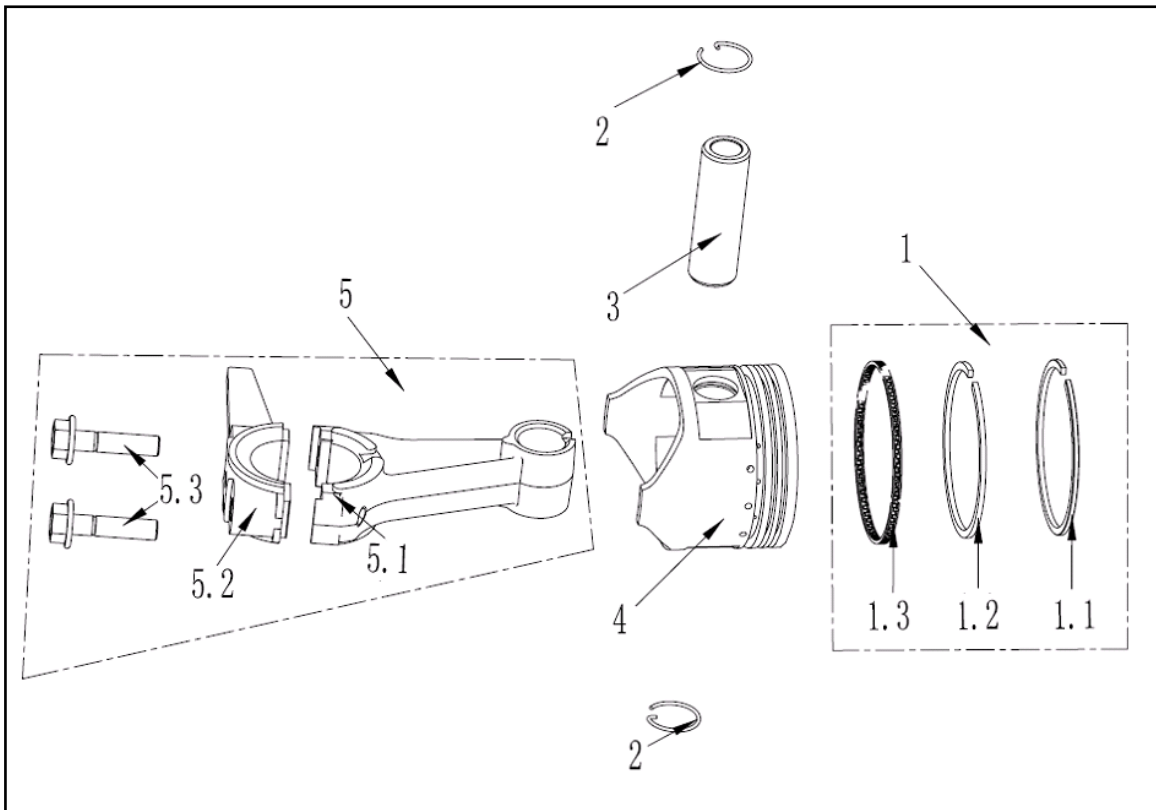
# Engine - Sub Level Assembly



## Engine – Sub Level Assembly

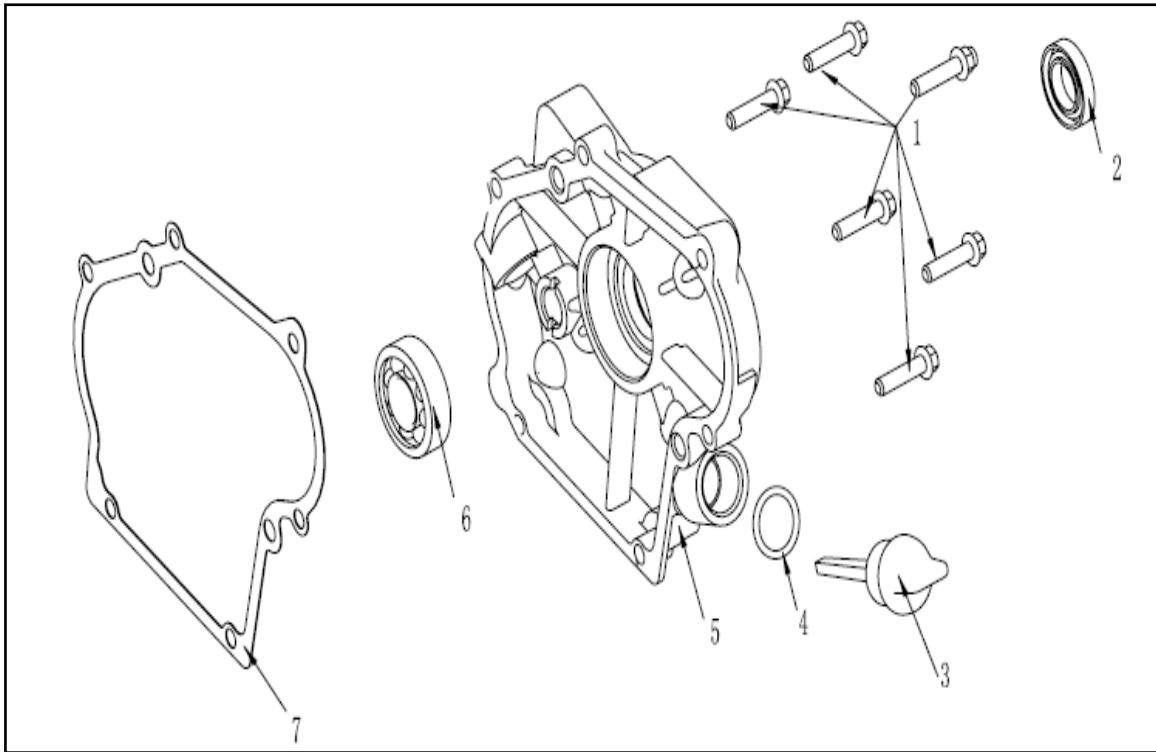
REF. NO.	DESCRIPTION	PART NO.	QTY
1	Air Filter Assembly	See Page 20	1
2	Carburetor Assembly	See Page 21	1
3	Cylinder Head Assembly	See Page 29	1
4	Fuel Tank Assembly	See Page 24	1
5	Muffler Assembly	See Page 25	1
6	Governor Arm	A100640	1
7	Hair Pin	A100636	1
8	Retaining Ring	A100773	1
9	Governor Crank	A100772	1
10	Crankcase Cover Assembly	See Page 18	1
11	Crankshaft Assembly	See Page 19	1
12	Crankcase Assembly	See Page 31	1
13	Fly Wheel Assembly	See Page 23	1
14	Engine Side Assembly	See Page 27	1
15	Ignition Coil	A101009	1
16	Spring 2, Tension	A100638	1
17	Rod, Tension	A100639	1
18	Bolt	A100724	2
19	Piston / Connecting Rod Assembly	See Page 17	1
20	Rod, Valve Timing	A100802	2
21	Stud, Connecting	A100752	2
22	Camshaft	A100753	1
23	Spring 1, Tension	A101010	1
24	Nut	A100637	2
25	Spacer 3	A100771	1
26	Centrifugal Assembly	A101011 – See Page 22	1
27	Spacer 2	A100774	1

# Piston / Connecting Rod Assembly



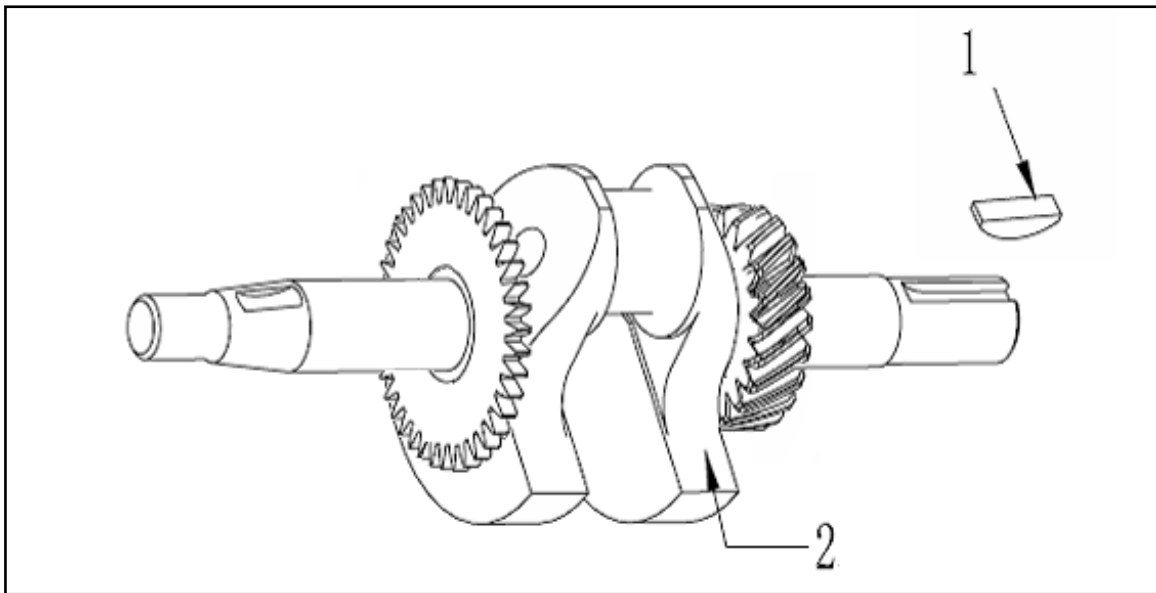
REF. NO.	DESCRIPTION	PART NO.	QTY
1	Piston Ring Assembly	A100762	1
1.1	Ring, First	For Reference Only	1
1.2	Ring, Second	For Reference Only	1
1.3	Oil Ring	For Reference Only	1
2	Circlip, Piston Pin	A100760	2
3	Pin, Piston	A100766	1
4	Piston	A100761	1
5	Connecting Rod Assembly	A100767	1
5.1	Connecting Rod Body	For Reference Only	1
5.2	Connecting Rod Cover	For Reference Only	1
5.3	Connecting Rod Bolt	For Reference Only	2

## Crankcase Cover Assembly



REF. NO.	DESCRIPTION	PART NO.	QTY
1	Bolt	A100715	6
2	Oil Seal	A100653	1
3	Dipstick	A100997	1
4	Oil Seal, dipstick	A100651	1
5	Cover, Crankcase	A100716	1
6	Bearing	A100720	1
7	Gasket, Crankcase	A100650	1

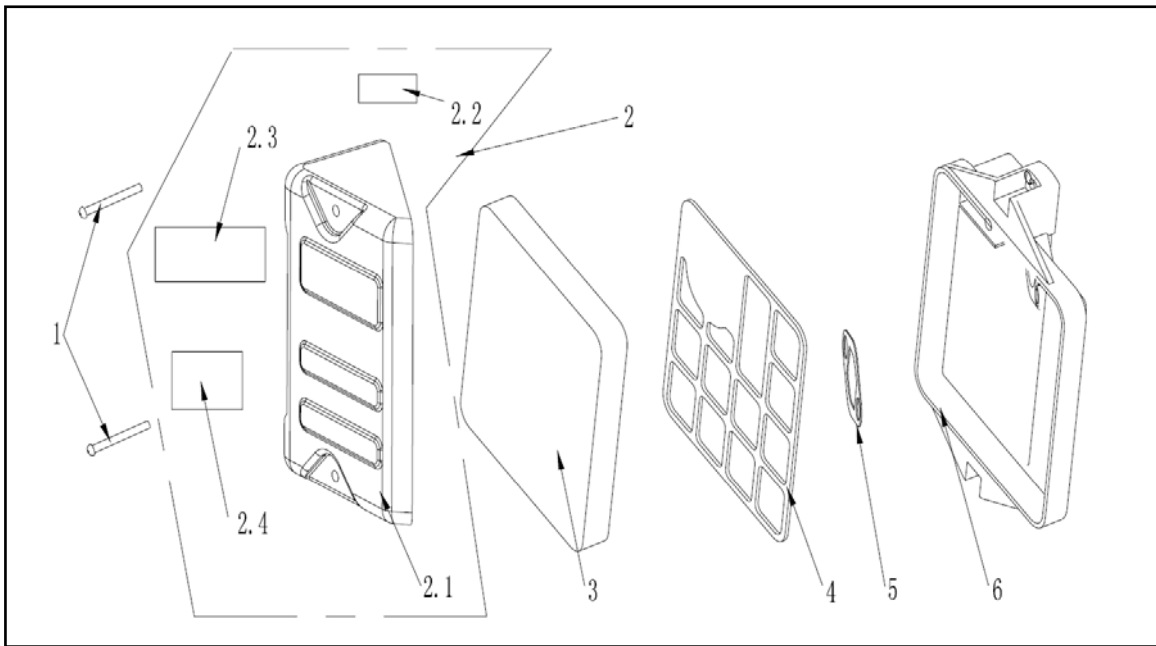
# Crankshaft Assembly



REF. NO.	DESCRIPTION	PART NO.	QTY
1	Key	A100641	1
2	Crankshaft	A100860	1

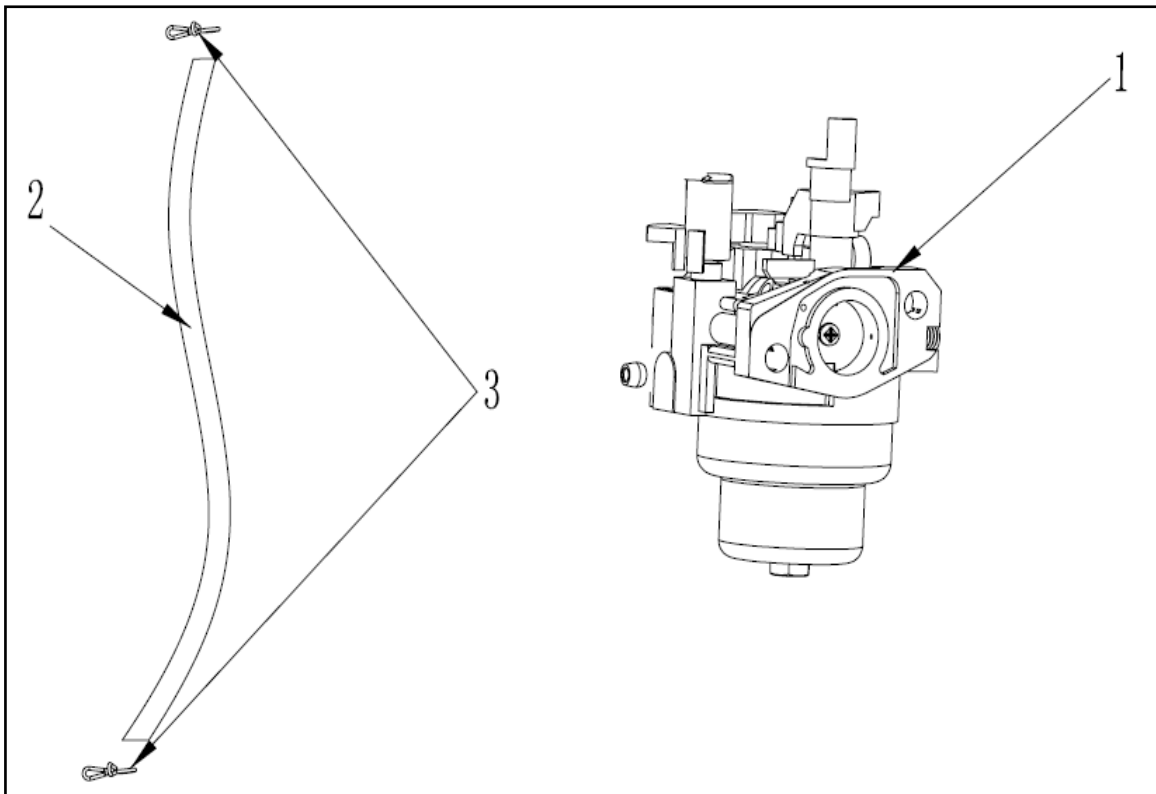


# Air Filter Assembly



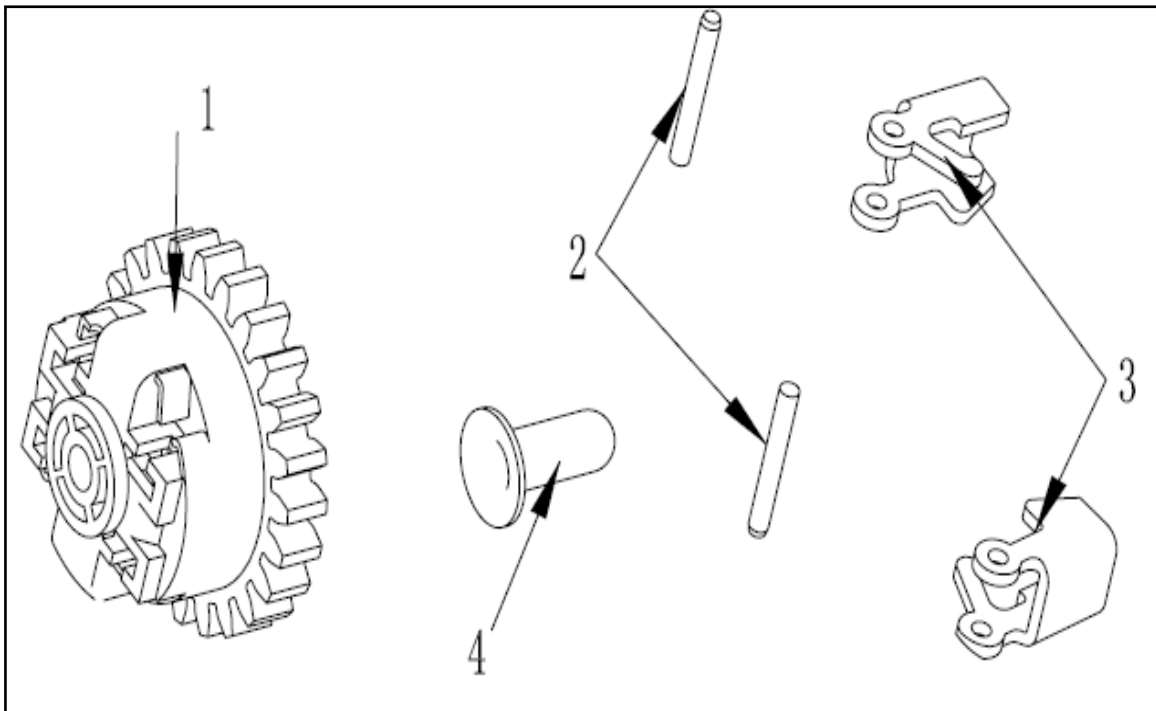
REF. NO.	DESCRIPTION	PART NO.	QTY
1	Bolt	A100628	2
2	Cover Assembly, Air Cleaner	A100982	1
2.1	Cover, Air Cleaner	For Reference Only	1
2.2	Label, Engine Choke	A100983	1
2.3	Label, Air Cleaner Maintenance	A101097	1
2.4	Label, Wheel Height	A100985	1
3	Air Cleaner Element	A100631	1
4	Sustain Board	A100629	1
5	Air Cleaner Gasket	A100627	1
6	Air Cleaner Housing	A100630	1

# Carburetor Assembly



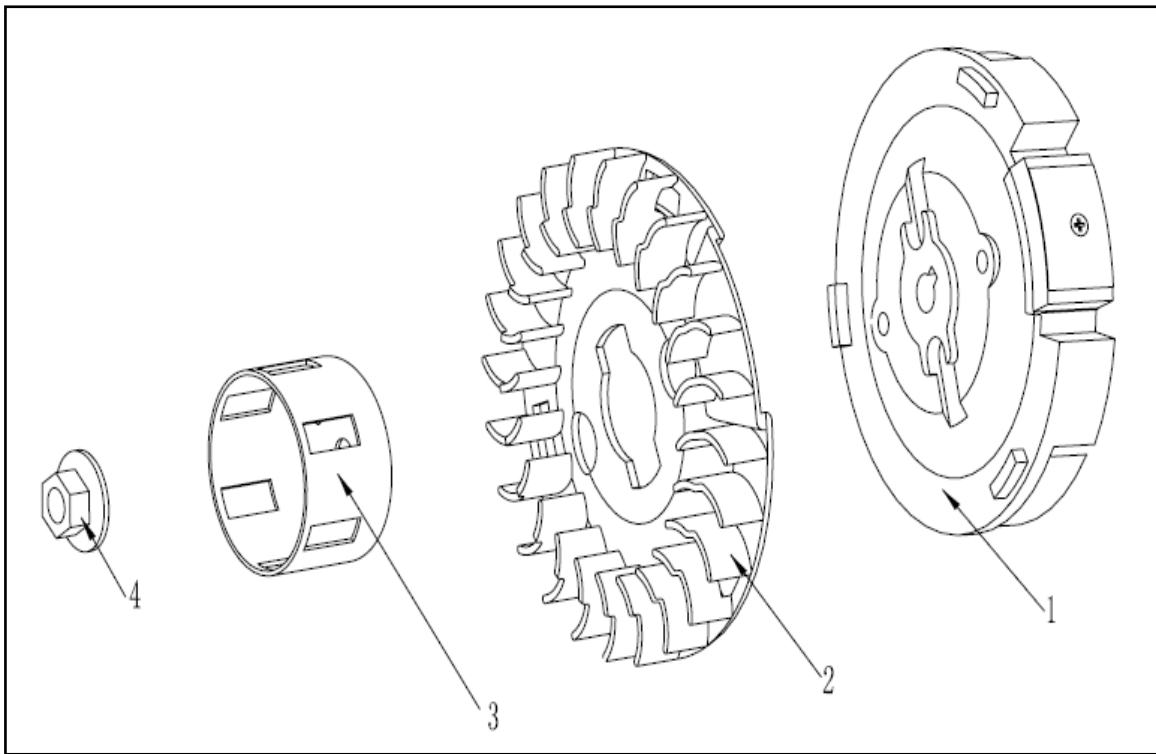
REF. NO.	DESCRIPTION	PART NO.	QTY
1	Carburetor	A100626	1
2	Hose, Fuel	A100625	1
3	Clamp, Fuel Line	A100624	2

## Centrifugal Assembly



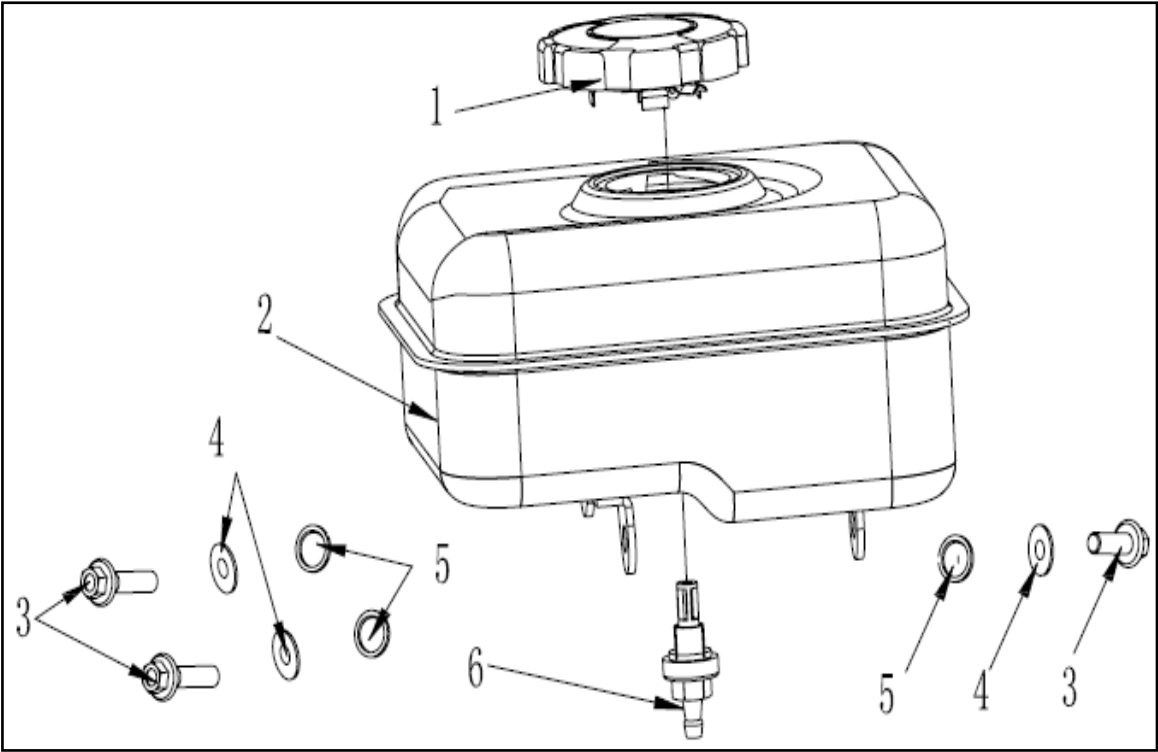
REF. NO.	DESCRIPTION	PART NO.	QTY
1	Body, Centrifugal Governor	For Reference Only	1
2	Pin	For Reference Only	2
3	Pawl	For Reference Only	2
4	Cover, Push Rod	For Reference Only	1

# Fly Wheel Assembly



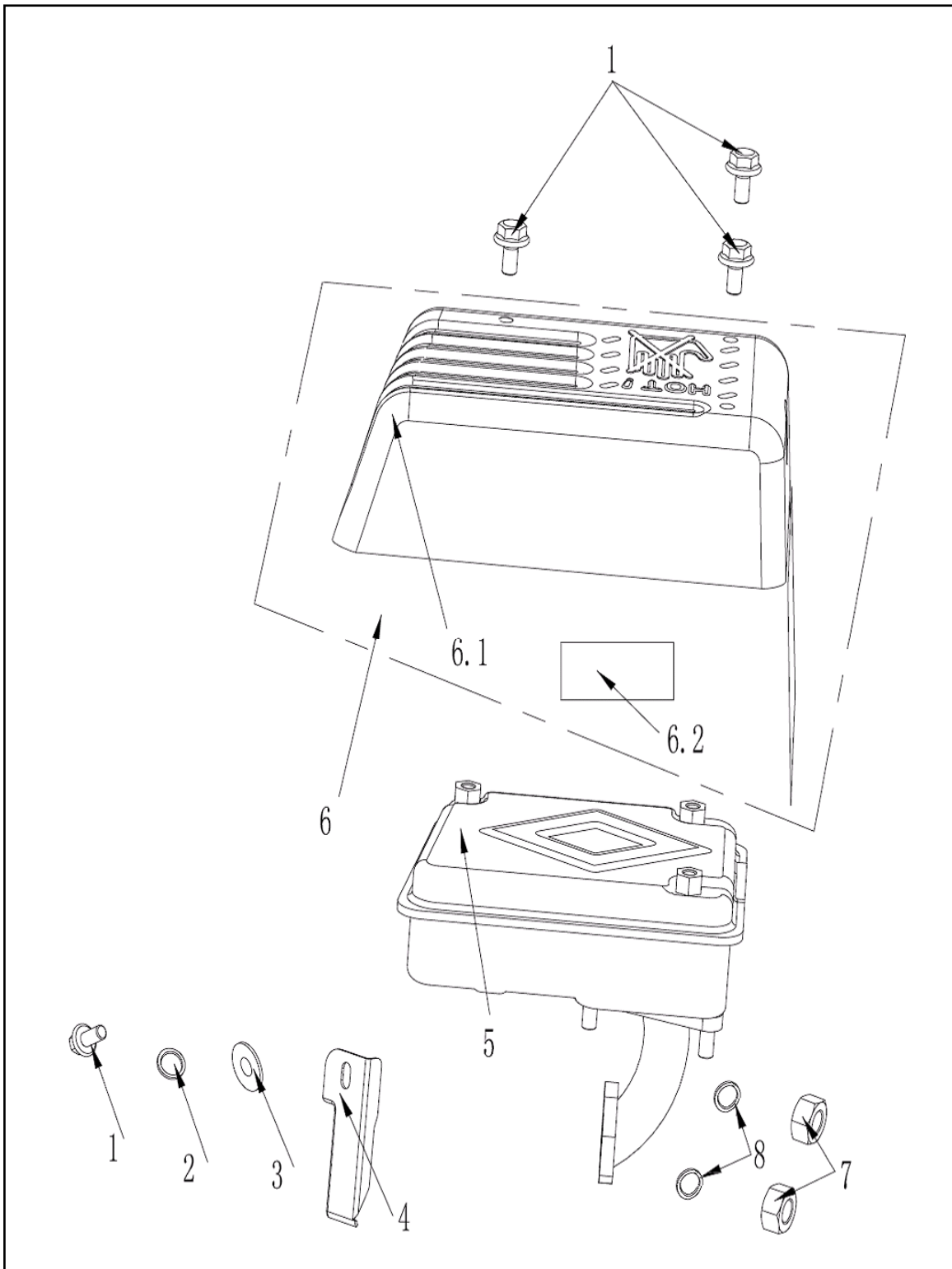
REF. NO.	DESCRIPTION	PART NO.	QTY
1	Fly Wheel	A100780	1
2	Fan	A100609	1
3	Starter Canister	A100785	1
4	Nut, Clamp	A100755	1

# Fuel Tank Assembly



REF. NO.	DESCRIPTION	PART NO.	QTY
1	Fuel Tank Cap	A100622	1
2	Fuel Tank	A100783	1
3	Bolt	A100718	3
4	Washer	A100714	3
5	Spring Washer	A100713	3
6	Fuel Line Fitting / Filter	A100782	1

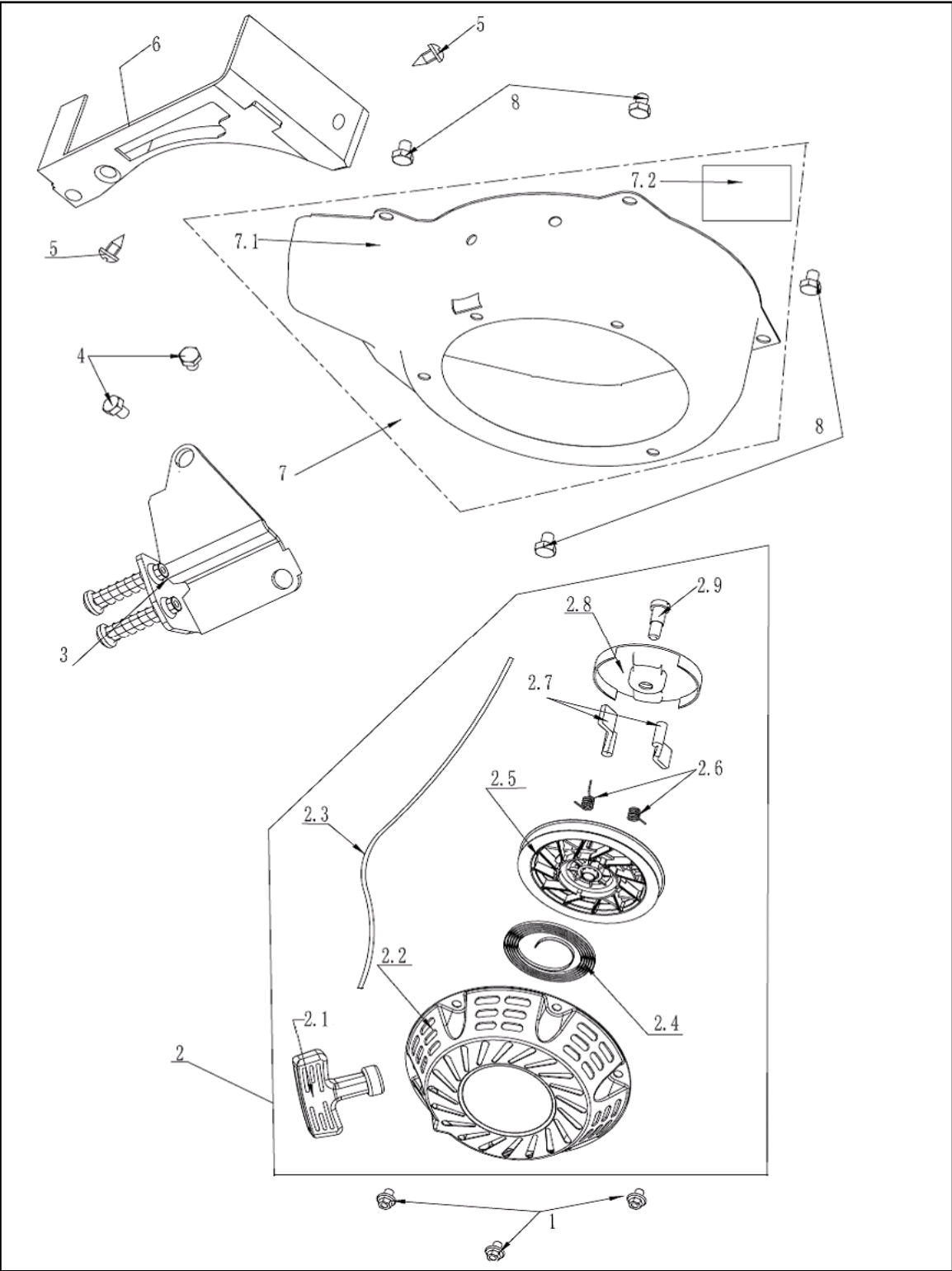
# Muffler Assembly



## Muffler Assembly

REF. NO.	DESCRIPTION	PART NO.	QTY
1	Bolt	A100610	4
2	Spring Washer	A100713	1
3	Washer	A100714	1
4	Muffler Bracket	A100781	1
5	Muffler	A100845	1
6	Muffler Cover Assembly	A101052	1
6.1	Muffler Cover	For Reference Only	1
6.2	Label, Hot Surface	A100978	1
7	Nut	A100736	2
8	Spring Washer	A100737	2

# Engine Side Assembly

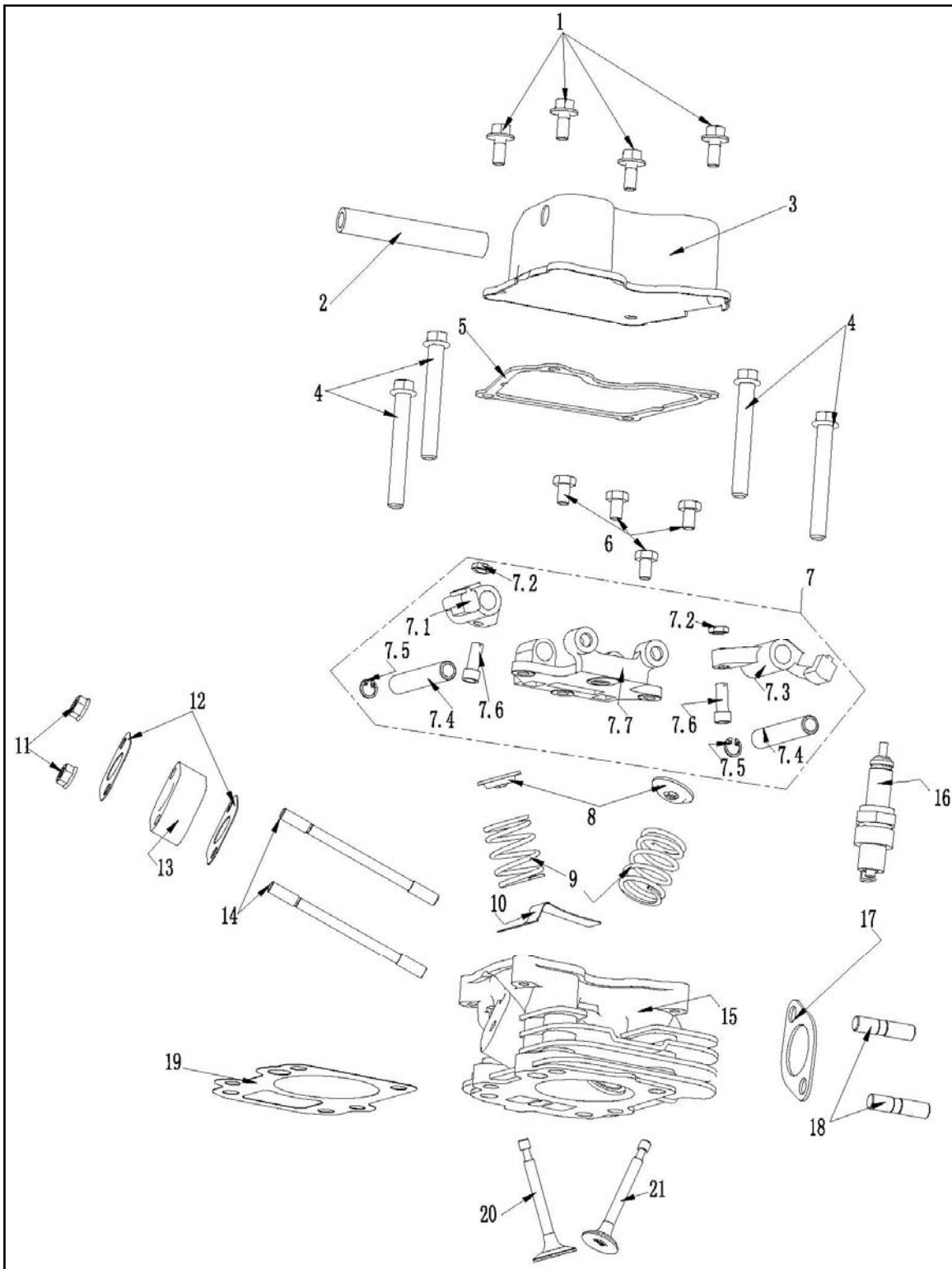




## Engine Side Assembly

REF. NO.	DESCRIPTION	PART NO.	QTY
1	Bolt	A100607	3
2	Starter Assembly	A100998	1
2.1	Handle, Recoil Starter	A100980	1
2.2	Starter Cover	A100611	1
2.3	Starter Rope	A100999	1
2.4	Wind Spring	A101000	1
2.5	Spool	A100616	1
2.6	Spring, Return	A100615	2
2.7	Ratchet	A100612	2
2.8	Guide Pan	A100613	1
2.9	Screw	A100614	1
3	RPM Adj Mechanism	A101001	1
4	Bolt	A100607	2
5	Screw	A100605	2
6	Engine Side Panel	A100786	1
7	Engine Side Cover Assembly	A101002	1
7.1	Engine Side Cover	A100608	1
7.2	Label, EPA + CARB	A101003	1
8	Bolt	A100610	4

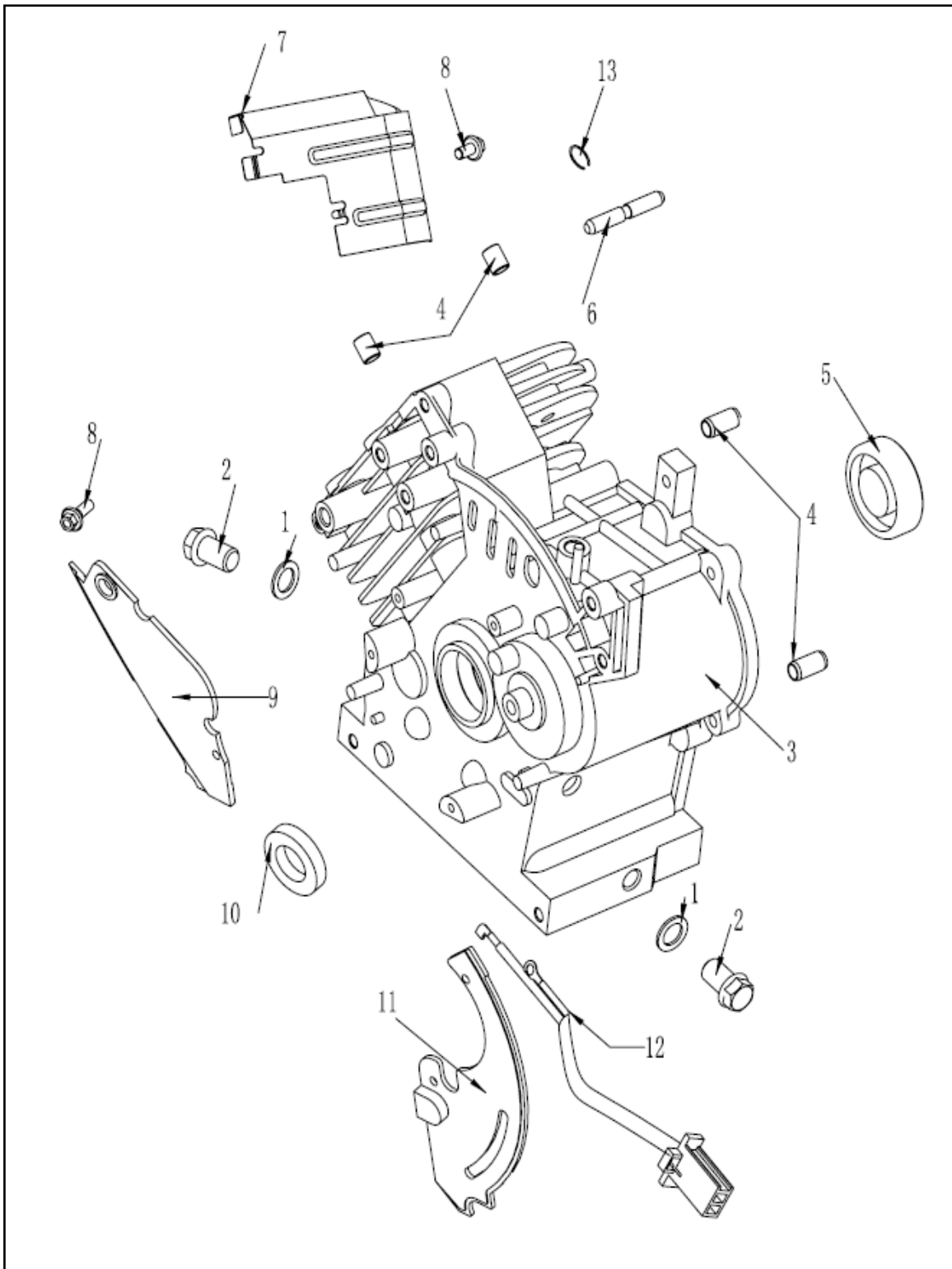
# Cylinder Head Assembly



## Cylinder Head Assembly

REF. NO.	DESCRIPTION	PART NO.	QTY
1	Bolt	A100610	4
2	Breather Tube	A100642	1
3	Cylinder Head Cover	A100645	1
4	Bolt, Cylinder Head	A100731	4
5	Gasket, Cylinder Head Cover	A100646	1
6	Bolt	A100754	4
7	Rocker Arm Assembly	A100738	1
7.1	Left Arm	For Reference Only	1
7.2	Adjusting Nut, Valve Clearance	For Reference Only	2
7.3	Right Arm	For Reference Only	1
7.4	Rocker Shaft	For Reference Only	2
7.5	Retaining Ring	For Reference Only	2
7.6	Adjusted Stud, Valve Clearance	For Reference Only	2
7.7	Rocker Bracket	For Reference Only	1
8	Upper Retainer, Door Spring	A100746	2
9	Spring, Valve	A100747	2
10	Retainer Intake Door Spring	A100749	1
11	Nut	A100734	2
12	Gasket, Inlet Pipe	A100648	2
13	Spacer, Heat insulating	A100647	1
14	Bolt, Intake Pipe	A100733	2
15	Cylinder Head	A100732	1
16	Spark Plug	A100643	1
17	Gasket, Exhaust Pipe	A100644	1
18	Bolt, Exhaust Pipe	A100735	2
19	Gasket, Cylinder Head	A100649	1
20	Valve, Intake	A100751	1
21	Valve, Exhaust	A100748	1

# Crankcase Assembly



## Crankcase Assembly

REF. NO.	DESCRIPTION	PART NO.	QTY
1	Washer, Drain Plug	A100721	2
2	Drain Plug	A100722	2
3	Crankcase Body	A100723	1
4	Guide Dowel	A100717	4
5	Bearing	A100719	1
6	Pin	A100728	1
7	Shield	A100727	1
8	Bolt	A100610	2
9	Crankcase Shield (I)	A100725	1
10	Oil Seal	A100653	1
11	Crankcase Shield (II)	A100726	1
12	Flameout Wire, Engine	A100996	1
13	Snap Spring	A100729	1