

SOUTHLAND™

ILLUSTRATED PARTS BOOK

Front Tine Tiller

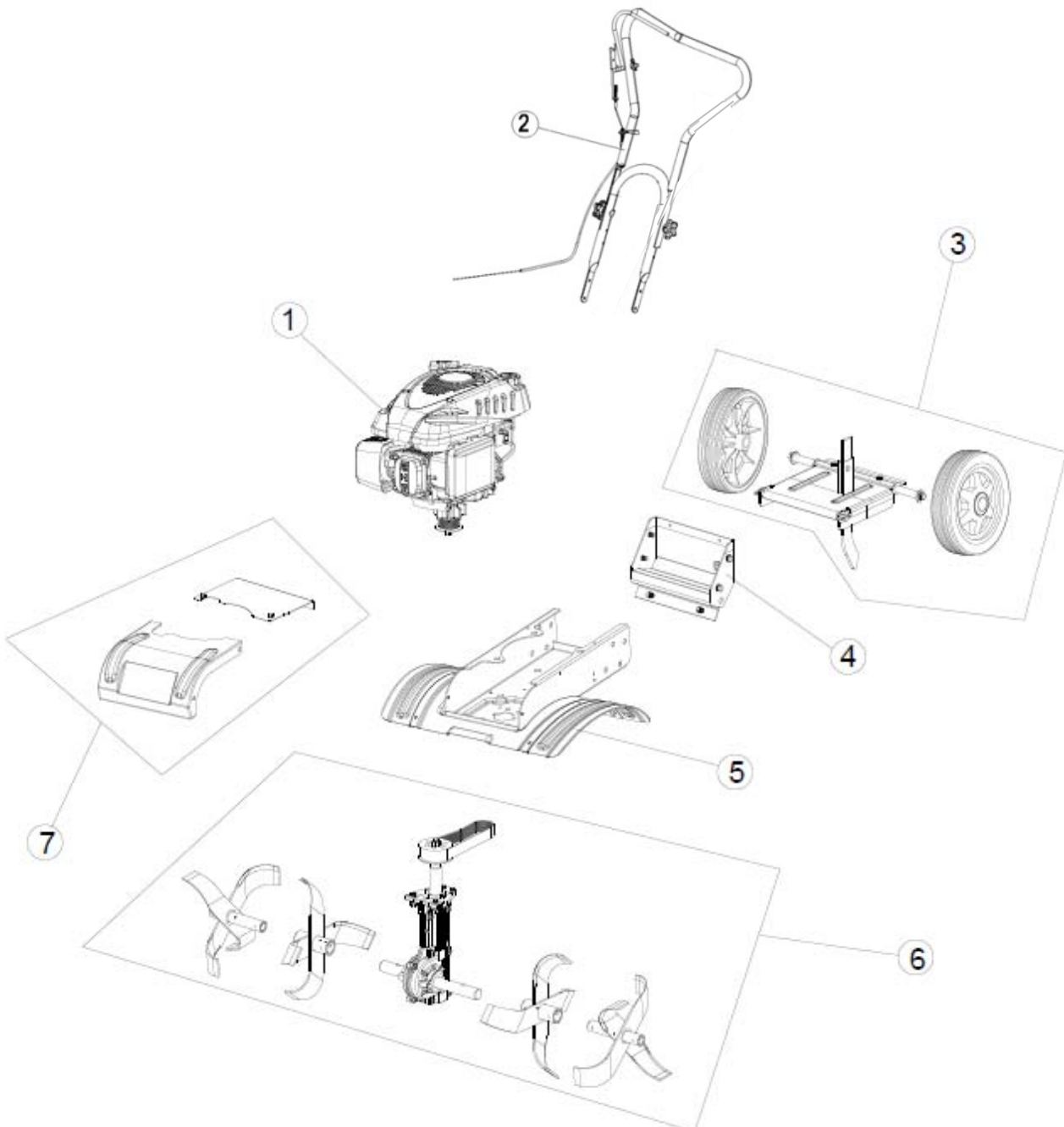
SFTT140



Table of Contents

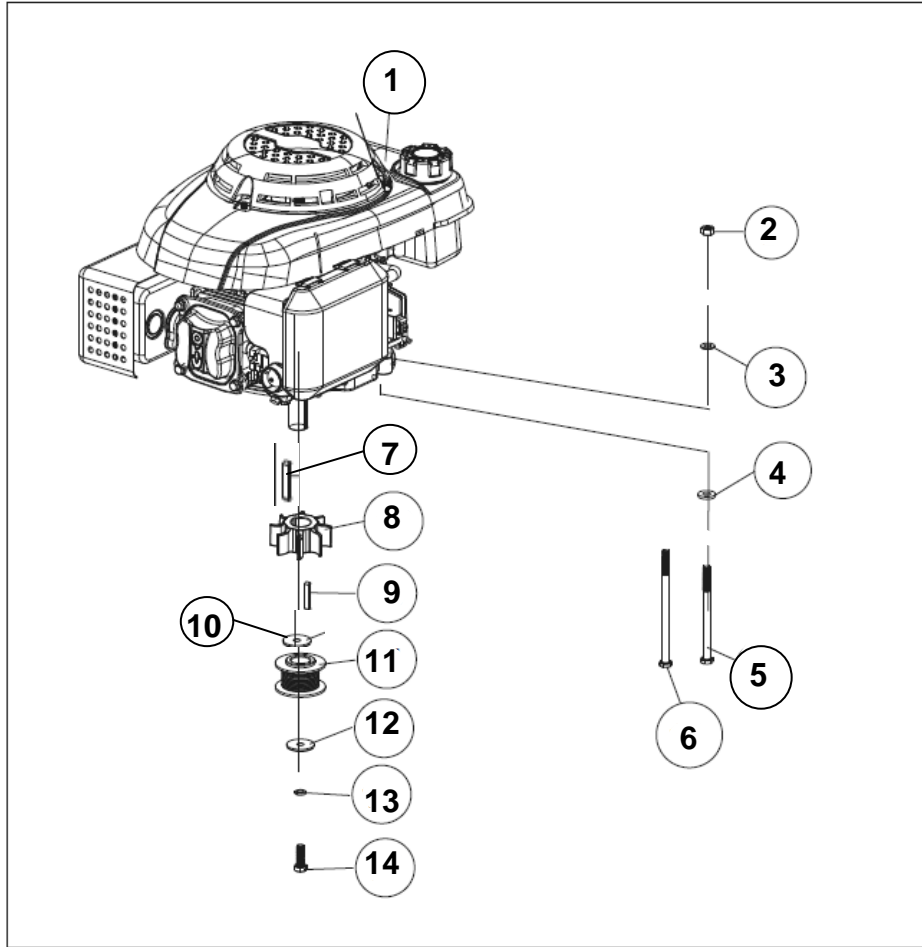
Top Level Assembly.....	3
Engine – Top Level Assembly.....	4
Handle Assembly.....	5-6
Swing Plate Assembly.....	7
Swing Plate Mount Assembly.....	8
Base Assembly.....	9-10
Tine and Transmission Assembly.....	11-12
Inspection Plates.....	13
Unit Decals.....	14
<u>RV140 Engine-EPA3 (A202389)</u>	
Cylinder Head.....	15
Short Block Assembly.....	16
Camshaft.....	17
Engine Shroud & Recoil ASM.....	18
Carburetor.....	19
Flywheel / Ignition.....	20
Air Cleaner.....	21
Control.....	22
Muffler.....	23
Fuel Tank.....	24
Engine Decals.....	25

Top Level Assembly



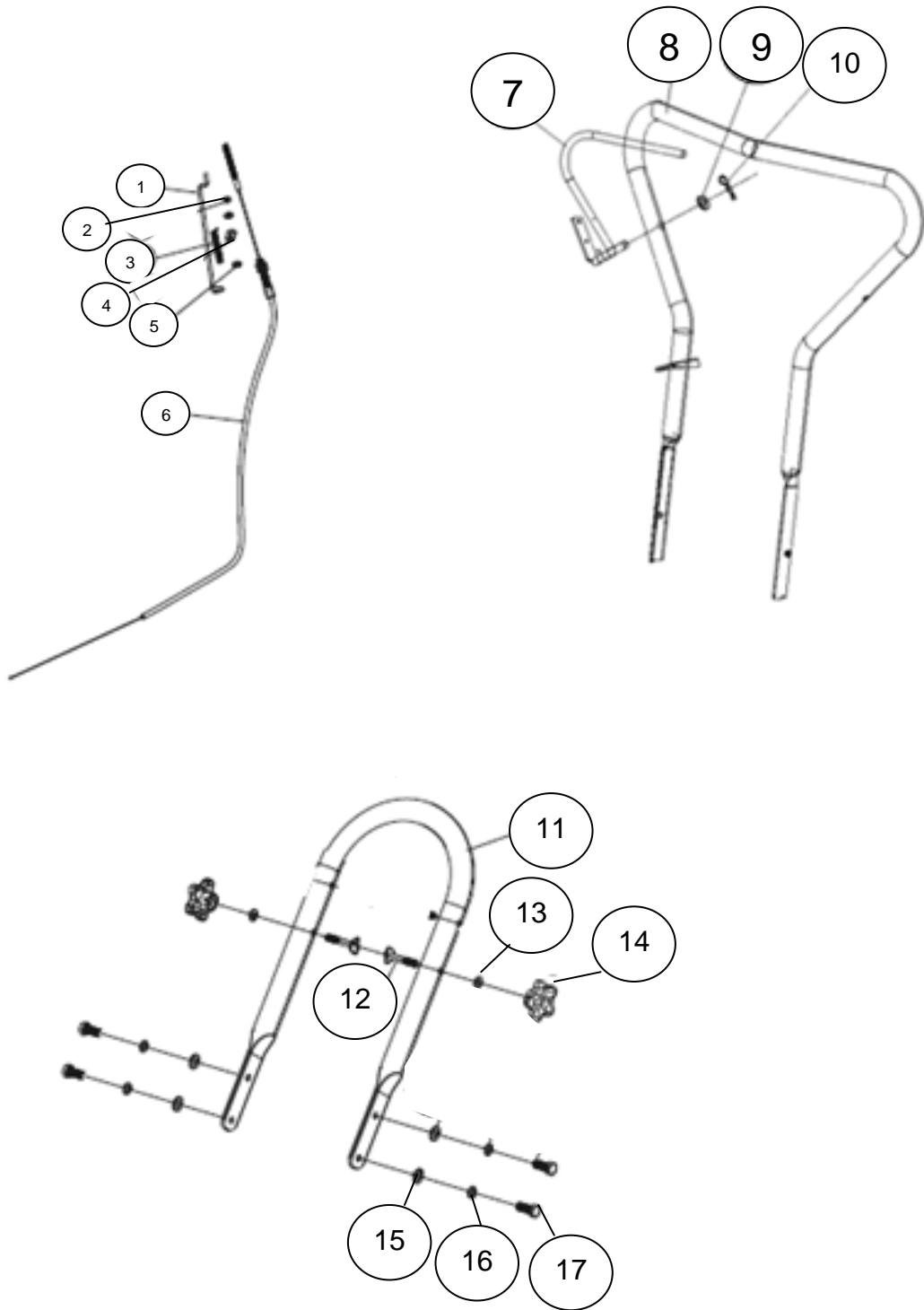
REF. NO.	DESCRIPTION	PART NO.	RQD
1	Engine-Top Level Assembly	See Page 4	1
2	Handle Assembly	See Page 5	1
3	Swing Plate Assembly	See Page 7	1
4	Swing Plate Mount Assembly	See Page 8	1
5	Base Assembly	See Page 9	1
6	Tines & Transmission Assembly	See Page 11	1
7	Inspection Plates	See Page 13	1

Engine – Top Level Assembly



REF. NO.	DESCRIPTION	PART NO.	RQD
1	Engine, RATO 139cc Vertical (EPA3)	A202389	1
2	Nut, M8	A200524	3
3	Flat Washer, M8	A200506	3
4	Spacer, Engine Mounting	A200664	3
5	M8x1.25x130, Hex Head Screw, Grade	A200655	1
6	M8x1.25x140, Hex Head Screw, Grade 8.8, Zinc	A200656	2
7	Key, 4x6.5x16	A200663	1
8	Fan, Pulley	A200714	1
9	Key, Engine	A200715	1
10	Flat Washer, 22.5x35x0.5	A202687	1
11	Engine Pulley	A200716	1
12	Flat Washer, 10x32x4	A200717	1
13	Spring Washer, M10	A200531	1
14	3/8-24, Engine Driveshaft Screw	A200718	1

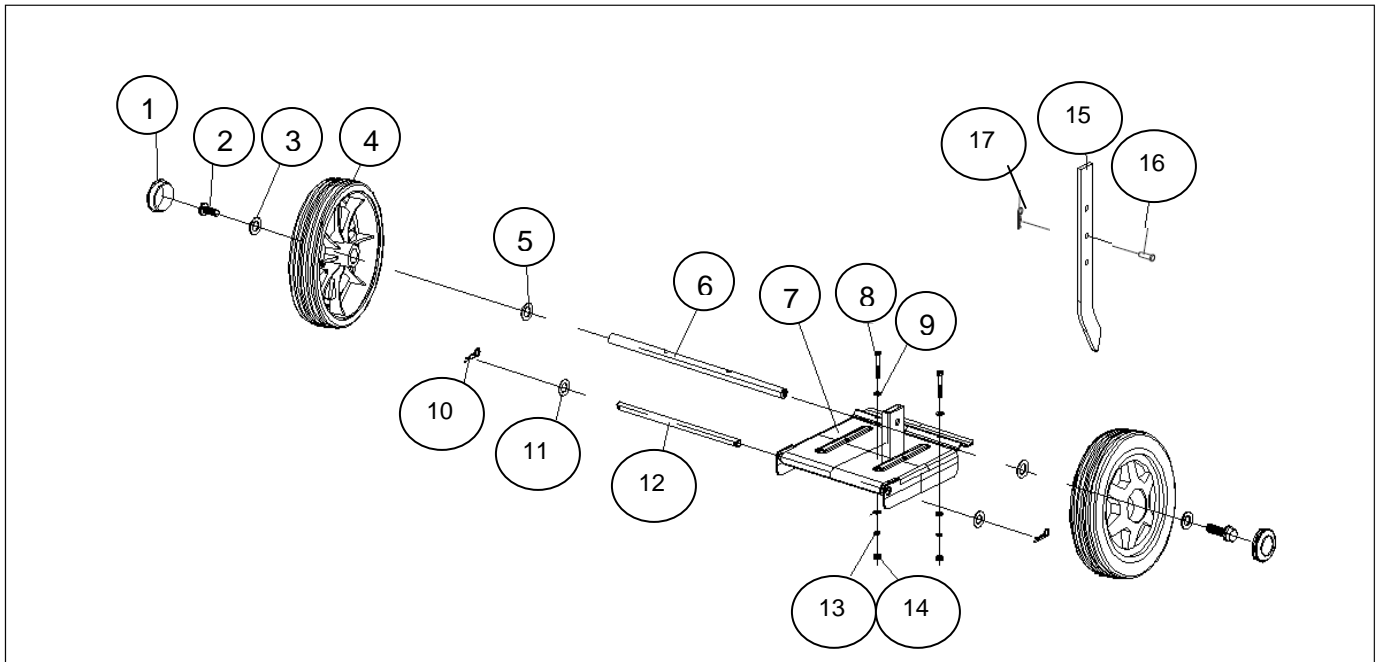
Handle Assembly



Handle Assembly

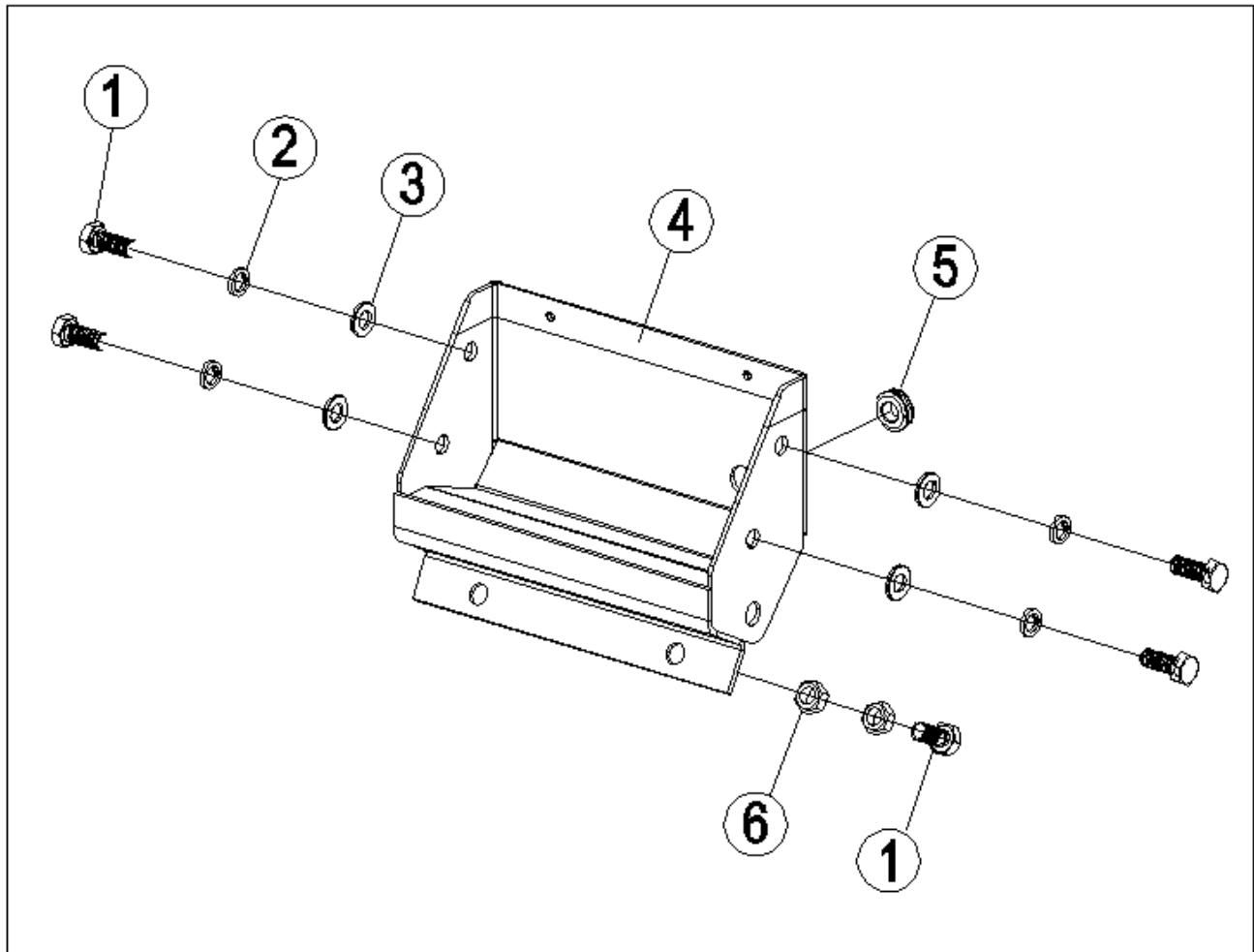
REF. NO.	DESCRIPTION	PART NO.	RQD
1	Rod, Clutch	A202626	1
2	Locknut, M5	A200500	1
3	Spring, Clutch Cable	A200503	1
4	Bracket, Clutch Rod	A200501	1
5	Flat Washer, M5	A200502	2
6	Clutch Cable	A200707	1
7	Clutch Lever	A200650	1
8	Handle, Upper	A202627	1
9	Flat Washer, M10	<i>Reference Only</i>	1
10	Cotter Key, 2x37	<i>Reference Only</i>	1
11	Handle, Lower	A202628	1
12	Screw, Handle	A202629	2
13	Flat Washer, M8	<i>Reference Only</i>	2
14	Knob, Handle	A200486	2
15	Flat Washer, M10	<i>Reference Only</i>	4
16	Lock Washer, M10	<i>Reference Only</i>	4
17	M10x1.5x25, Hex Head Cap Screw, Grade 8.8, Black Oxide	<i>Reference Only</i>	4

Swing Plate Assembly



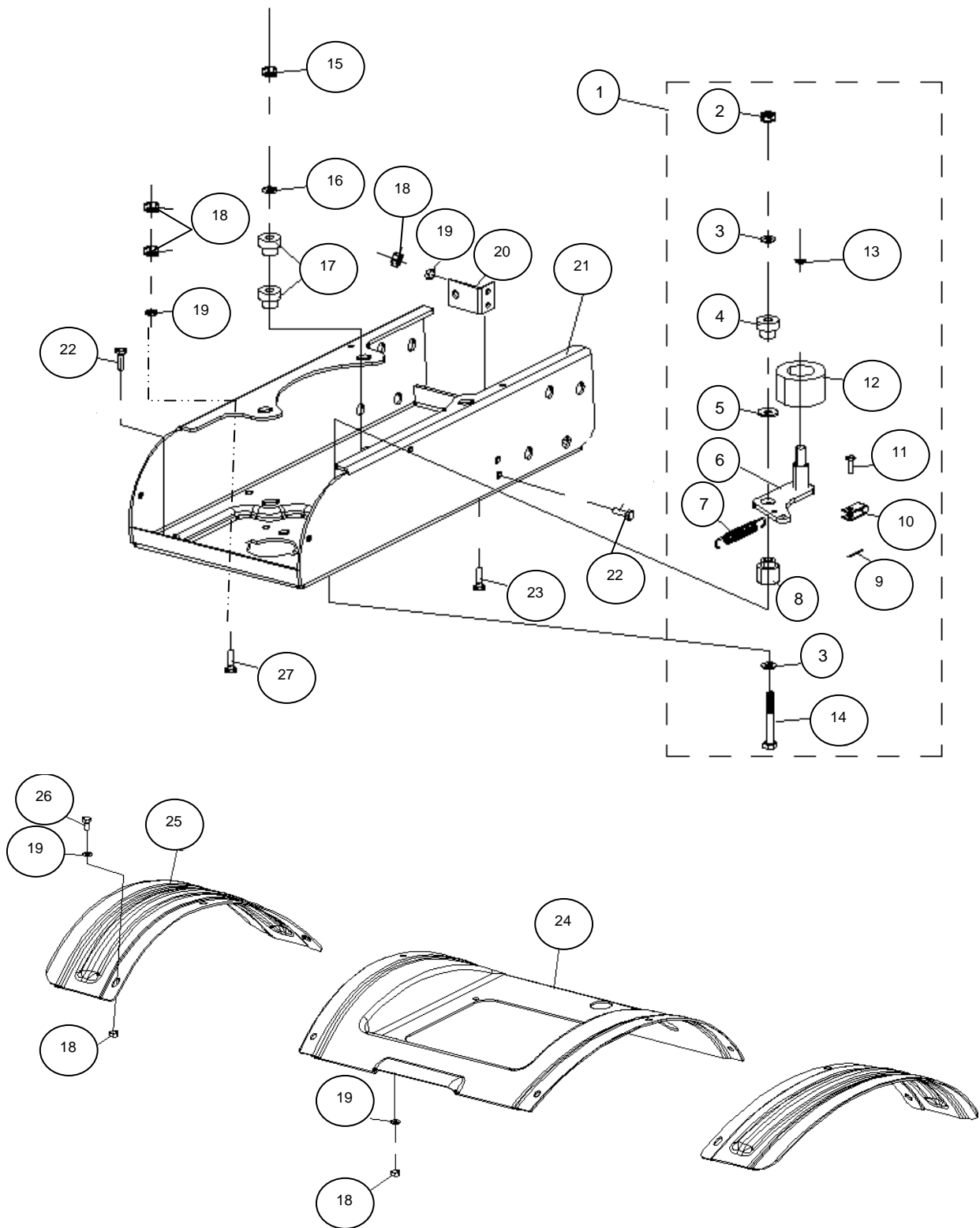
REF. NO.	DESCRIPTION	PART NO.	RQD
1	Hubcap, 8" Wheel	A200373	2
2	M8x1.25x12, Hex Flange Head Screw, Grade 8.8, Zinc	<i>Reference Only</i>	2
3	Flat Washer, M8, Zinc	<i>Reference Only</i>	2
4	Wheel, 8 Inch	A200375	2
5	Flat Washer, M14, Zinc	<i>Reference Only</i>	2
6	Axle, Wheel - Threaded	A200376	1
7	Swing Plate - Southland	A200644	1
8	M8x1.25x30, Hex Head Screw, Grade 8.8, Zinc	<i>Reference Only</i>	2
9	Flat Washer, M8, Zinc	<i>Reference Only</i>	4
10	Cotter Key, 2x37	<i>Reference Only</i>	3
11	Flat Washer, M12, Zinc	<i>Reference Only</i>	2
12	Axle, Swing Plate	A200691	1
13	Lock Washer, M8, Zinc	<i>Reference Only</i>	2
14	M8x1.25, Hex Lock Nut, Grade 8, Zinc	<i>Reference Only</i>	2
15	Drag Bar, Three Hole	A200378	1
16	Pin, 8x20	A200673	1
17	Hair Pin, 2x37	A200671	1

Swing Plate Mount Assembly



REF. NO.	DESCRIPTION	PART NO.	RQD
1	M10x1.5x25 Hex Head Screw, Grade 8.8, Zinc	<i>Reference Only</i>	6
2	Lock Washer, M10	<i>Reference Only</i>	4
3	Flat Washer, M10	<i>Reference Only</i>	4
4	Swing Plate Mounting Frame - Southland	A200639	1
5	Grommet	A200569	1
6	M10x1.5 Hex Jam Nut, Grade 8, Zinc	<i>Reference Only</i>	2

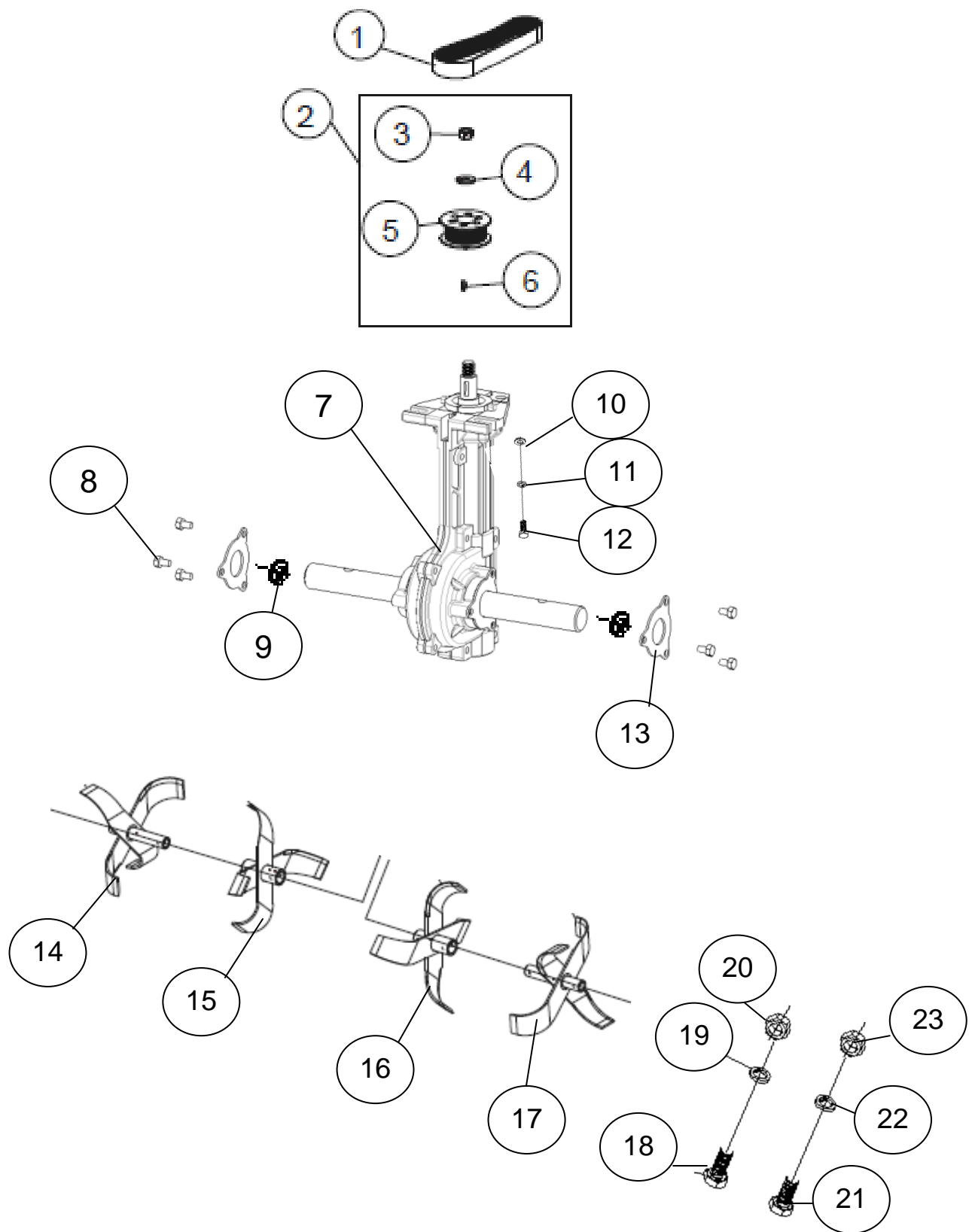
Base Assembly



Base Assembly

REF. NO.	DESCRIPTION	PART NO.	RQD
1	Kit, Tension Idler (#2-17)	A200826	1
2	M8x1.0, Hex Lock Nut, Grade 8, Zinc	<i>Reference Only</i>	1
3	Flat Washer, M8, Zinc	<i>Reference Only</i>	2
4	Bushing, Belt	A200658	1
5	Flat Washer, 8x22x2	<i>Reference Only</i>	1
6	Tensioner Arm	<i>Reference Only</i>	1
7	Spring, Clutch	A200676	1
8	Bushing, Tensioner Arm	<i>Reference Only</i>	1
9	Cotter Key, 1.5x20	A200678	1
10	Clip, Clutch Cable	A200520	1
11	Pin, 6x16	A200521	1
12	Tensioner	A200681	1
13	Circlip, 10	A200546	1
14	M8x1.25x60, Hex Head	<i>Reference Only</i>	1
15	M8x1.0, Hex Lock Nut, Grade	<i>Reference Only</i>	1
16	Flat Washer, M8, Zinc	<i>Reference Only</i>	1
17	Bushing, Belt	A200658	2
18	M6x1.0, Hex Lock Nut, Grade 8, Zinc	<i>Reference Only</i>	13
19	Flat Washer, M6, Zinc	<i>Reference Only</i>	17
20	Bracket, Clutch Cable	A200665	1
21	Mounting Frame, Curved - Southland	A202694	1
22	M6x1.0x18, Hex Head Screw, Grade 8.8, Zinc	<i>Reference Only</i>	6
23	M8x1.25x50, Hex Head Screw, Grade 8.8, Zinc	<i>Reference Only</i>	1
24	Tine Shield, Curved- Southland	A202695	1
25	Shield, Extension - Southland	A202696	2
26	M6x1.0x12, Hex Flange Head Screw, Grade 8.8, Zinc	<i>Reference Only</i>	6
27	M6x1.0x25, Hex Flange Head Screw, Grade 8.8, Zinc	<i>Reference Only</i>	1

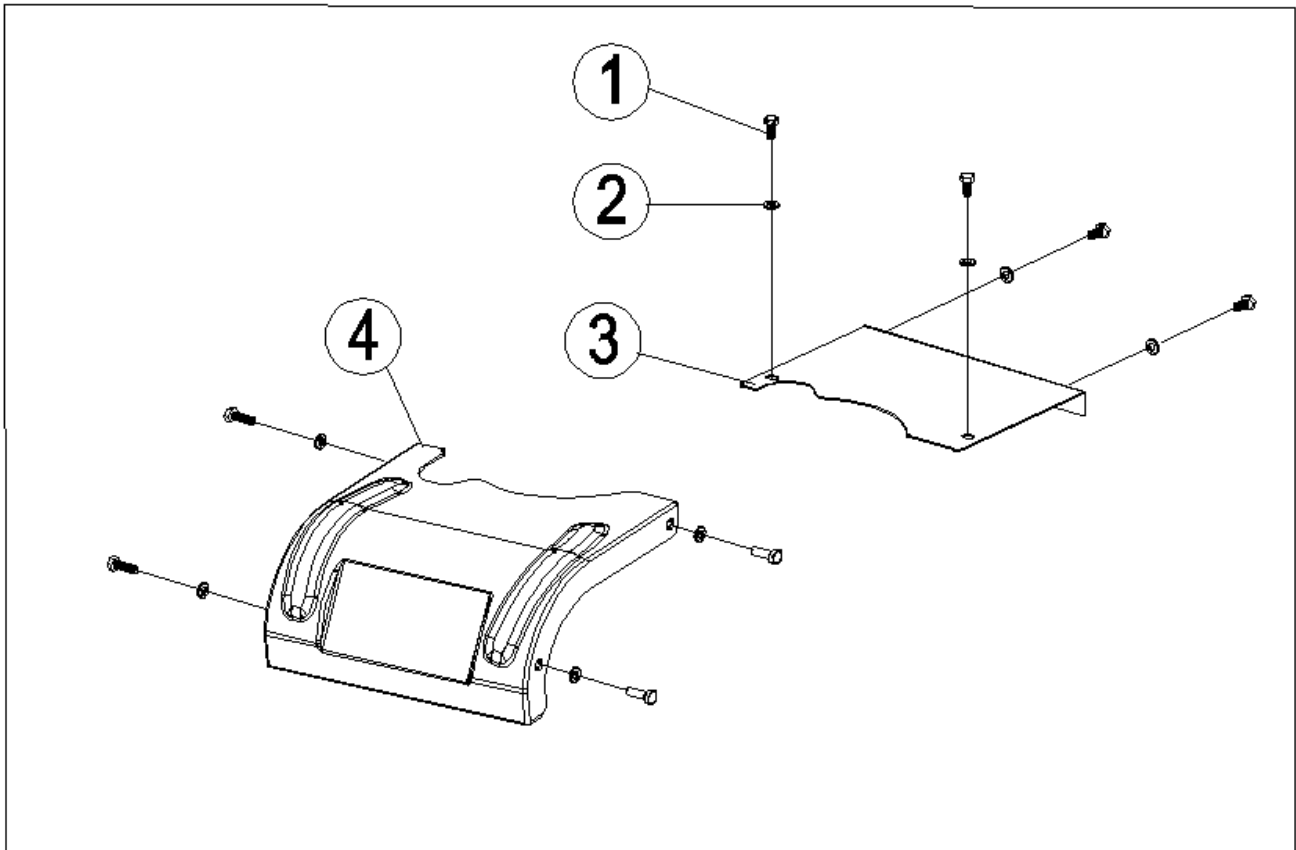
Tine and Transmission Assembly



Tine and Transmission Assembly

REF. NO.	DESCRIPTION	PART NO.	RQD
1	Drive Belt, 10PJ508	A200659	1
2	Kit, Transmission Pulley(#3-6)	A200822	1
3	Lock Nut, M12x1.75	A200660	1
4	Flat Washer, 12x28x3	A200661	1
5	Pulley, Transmission	A200662	1
6	Key, 4x6.5x16	A200663	1
7	ASM, Transmission	A200829	1
8	M6x1.0x12, Hex Head Cap Screw, Grade 8.8, Zinc	A200619	6
9	Gear Box Seal Cover	A200620	2
10	Transmission Oil Seal 25x40x7	A200621	2
11	M8x1.25x25, Hex Head Cap Screw, Grade 8.8, Zinc	<i>Reference Only</i>	1
12	Lock Washer, M8, Zinc	<i>Reference Only</i>	4
13	Flat Washer, M8, Zinc	<i>Reference Only</i>	4
14	Right Tine, Outside*	A200615	1
15	Right Tine, Inside*	A200617	1
16	Left Tine, Inside*	A200640	1
17	Left Tine, Outside*	A200642	1
18	M8x1.25x45, Hex Head Cap Screw, Grade 8.8, Black Oxide	A200533	2
19	Flat Washer, M8, Black Oxide	A202688	2
20	Lock Nut, M8, Black Oxide	A200524	2
21	M10x1.5x45, Hex Head Cap Screw, Grade 8.8, Black Oxide	A200578	2
22	Flat Washer, M10, Black Oxide	A202689	2
23	Lock Nut, M10, Grade 8, Black Oxide	A200532	2
*Orientation determined from operator's position, behind unit, facing forward.			

Inspection Plates



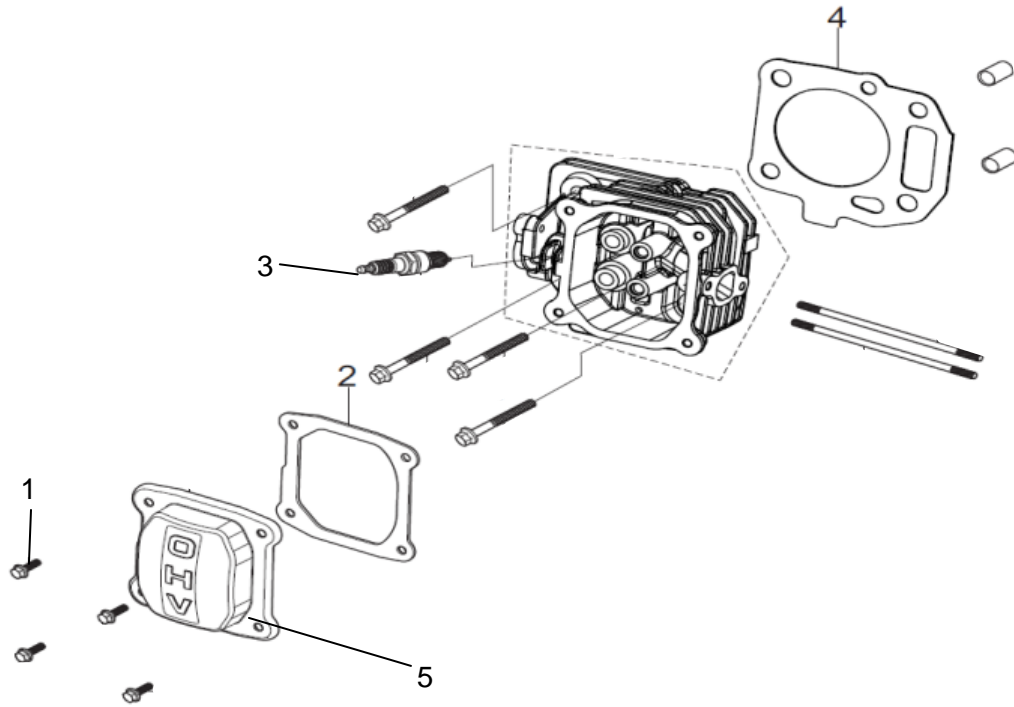
REF. NO.	DESCRIPTION	PART NO.	RQD
1	M6x1.0x12, Hex Head Cap Screw, Grade 8.8, Zinc	<i>Reference Only</i>	8
2	Flat Washer, M6, Zinc	<i>Reference Only</i>	8
3	Rear Inspection Plate - Southland	A200641	1
4	Front Inspection Plate, Curved - Southland	A202697	1

Unit Decals



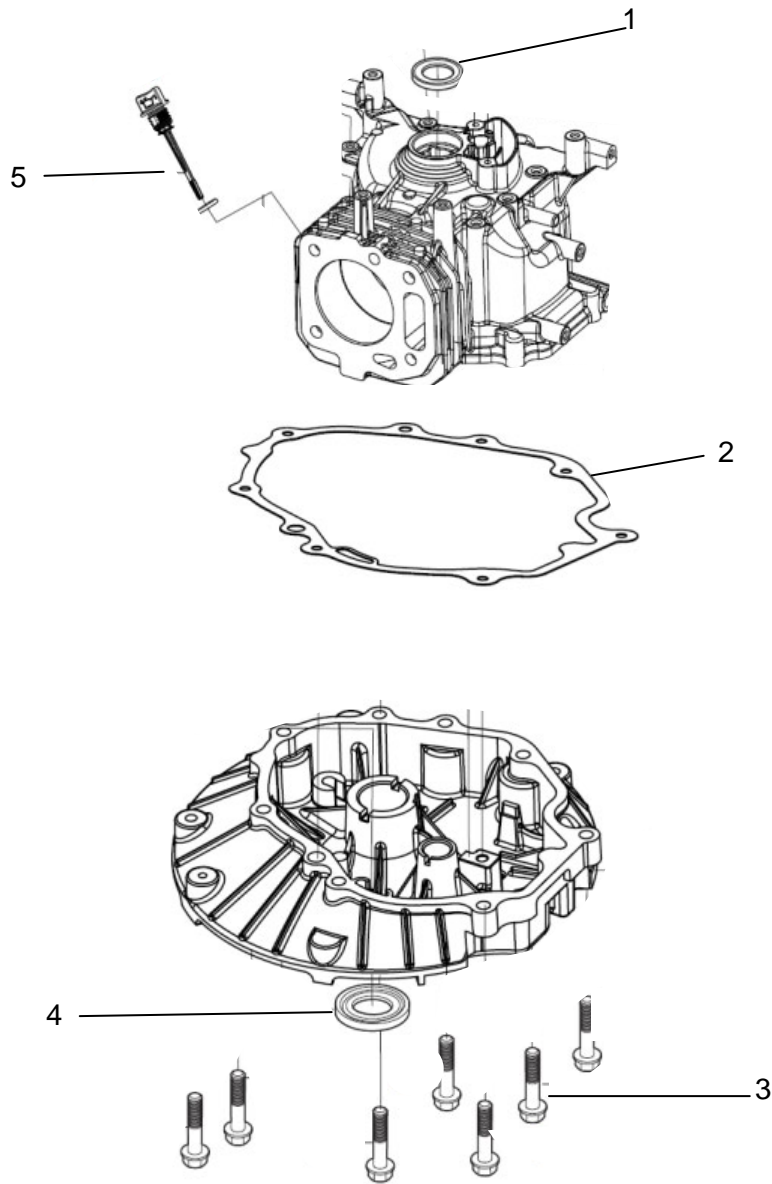
REF. NO.	DESCRIPTION	PART NO.	QTY
-	Decal Sheet, SFTT140 Unit	A202698	1

Cylinder Head



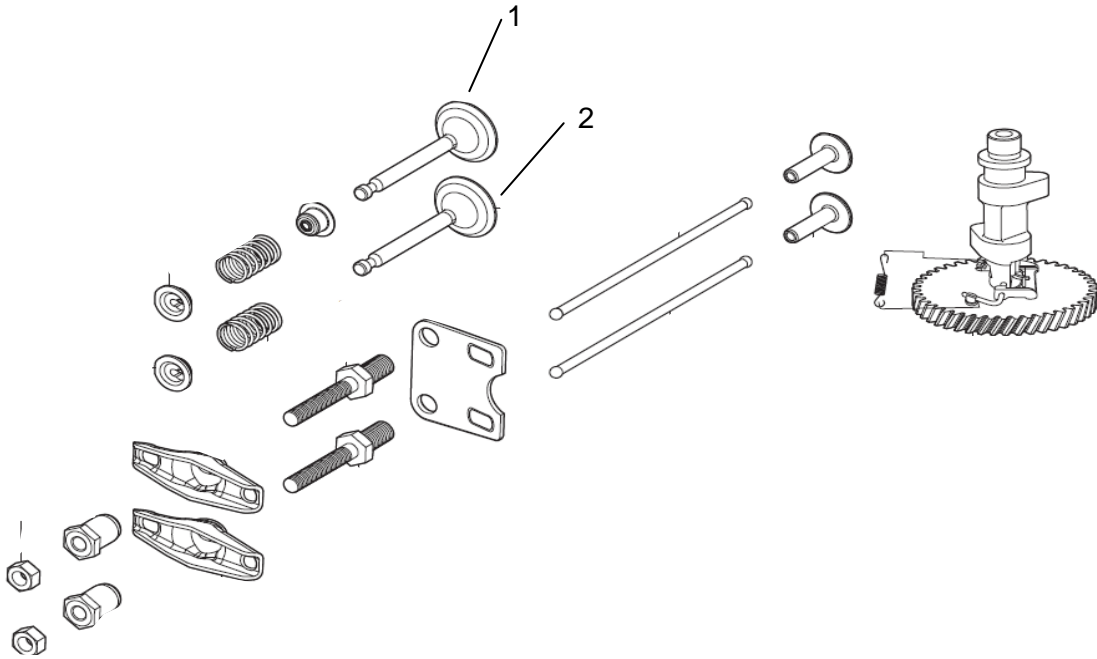
REF. NO.	DESCRIPTION	PART NO.	RQD
1	M6x1.0x12, Hex Flange Bolt, Zinc, Grade 8.8	Reference Only	4
2	Gasket, Cylinder Head Cover	A201567	1
3	Plug, Spark (Torch F7TC, NGK BPGES, Champion RN9YC4)	A201233	1
4	Gasket, Cylinder Head	A201569	1
5	Cover, Cylinder Head	A201566	1

Short Block Assembly



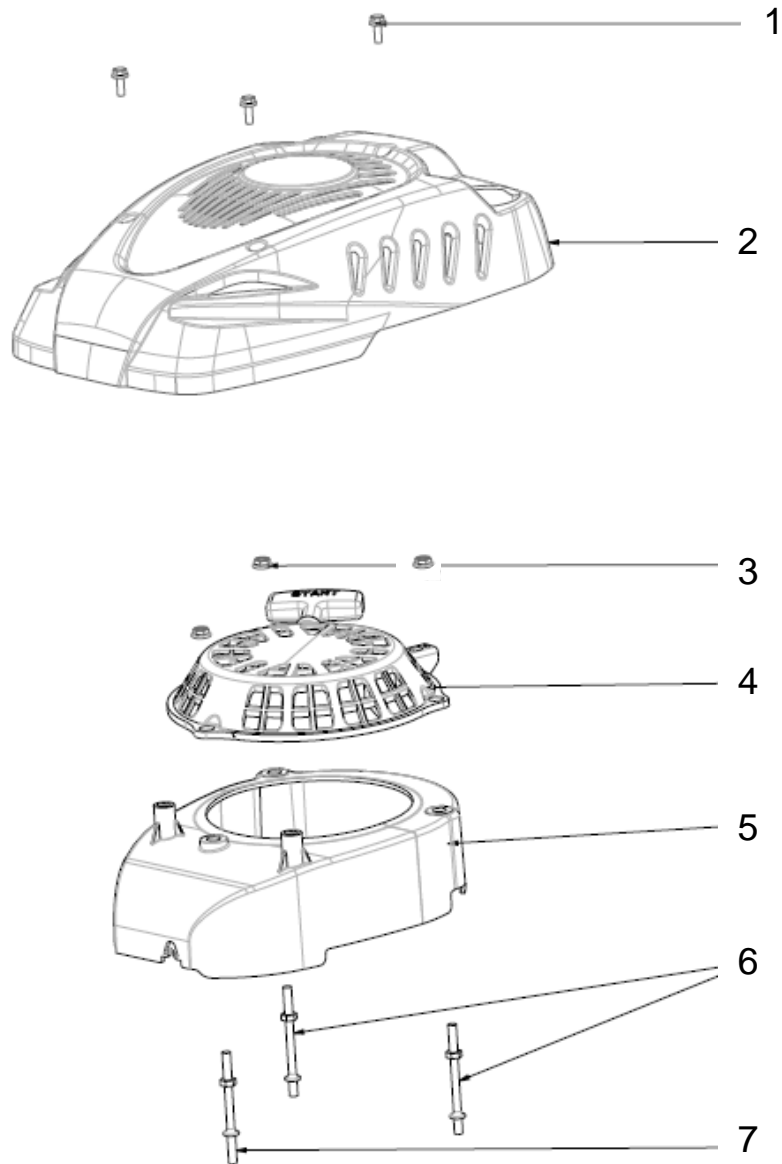
REF. NO.	DESCRIPTION	PART NO.	RQD
1	Seal, Oil	A201581	1
2	Gasket, Crankcase	A201592	1
3	M6x1.0x27, Hex Flange Bolt, Zinc, Grade 8.8	Reference Only	7
4	Seal, Oil	A201599	1
5	Sub Assembly, Oil Dipstick	A201577	1

Camshaft



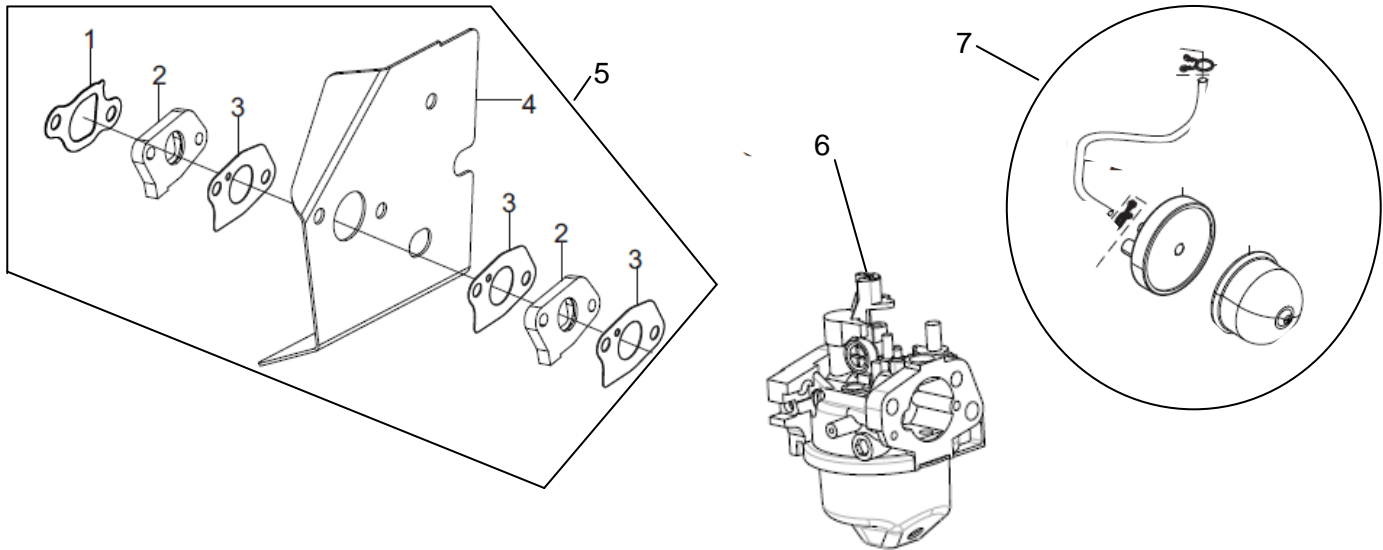
REF. NO.	DESCRIPTION	PART NO.	RQD
1	Valve, Intake	A201627	1
2	Valve, Exhaust	A201633	1

Engine Shroud



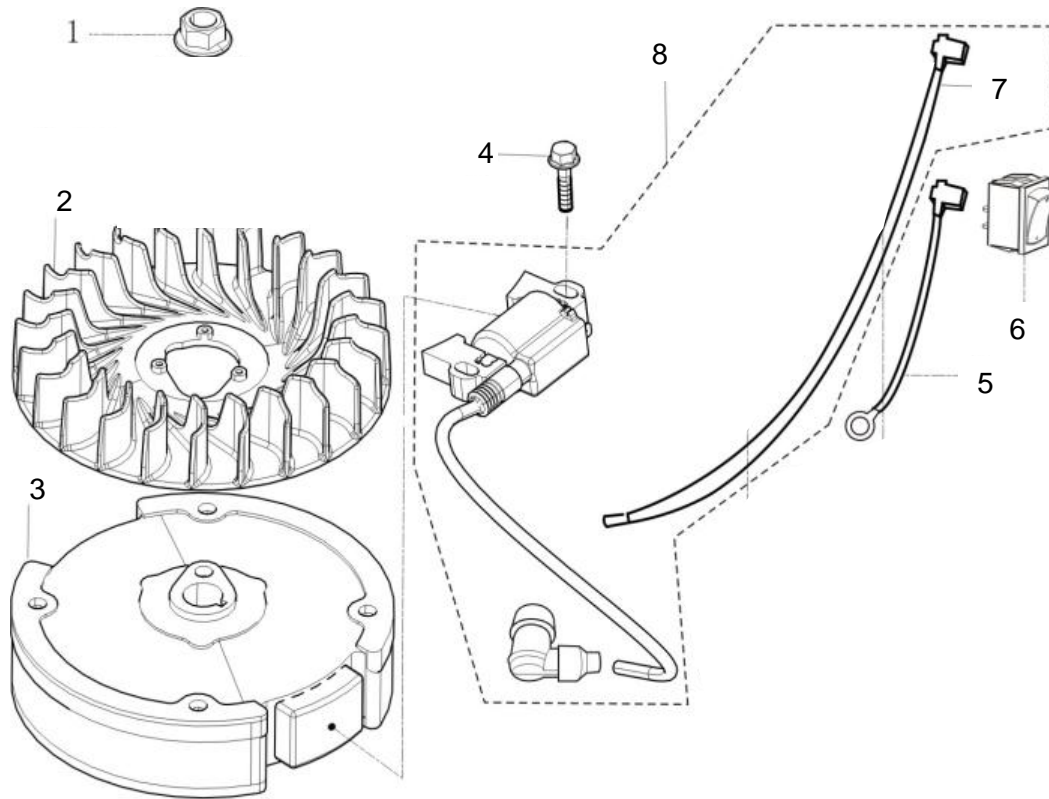
REF. NO.	DESCRIPTION	PART NO.	RQD
1	Bolt, Housing	A201637	3
2	Shroud, Engine (Without Brand Decals)	A203033	1
3	M6x1.0 Hex Flange Nut, Zinc, Grade 8	Reference Only	3
4	ASM, Recoil Starter	A201653	1
5	Shroud, Recoil ASM	A201636	1
6	Stud, Recoil Shroud – 1	A201638	2
7	Stud, Recoil Shroud – 2	A201639	1

Carburetor



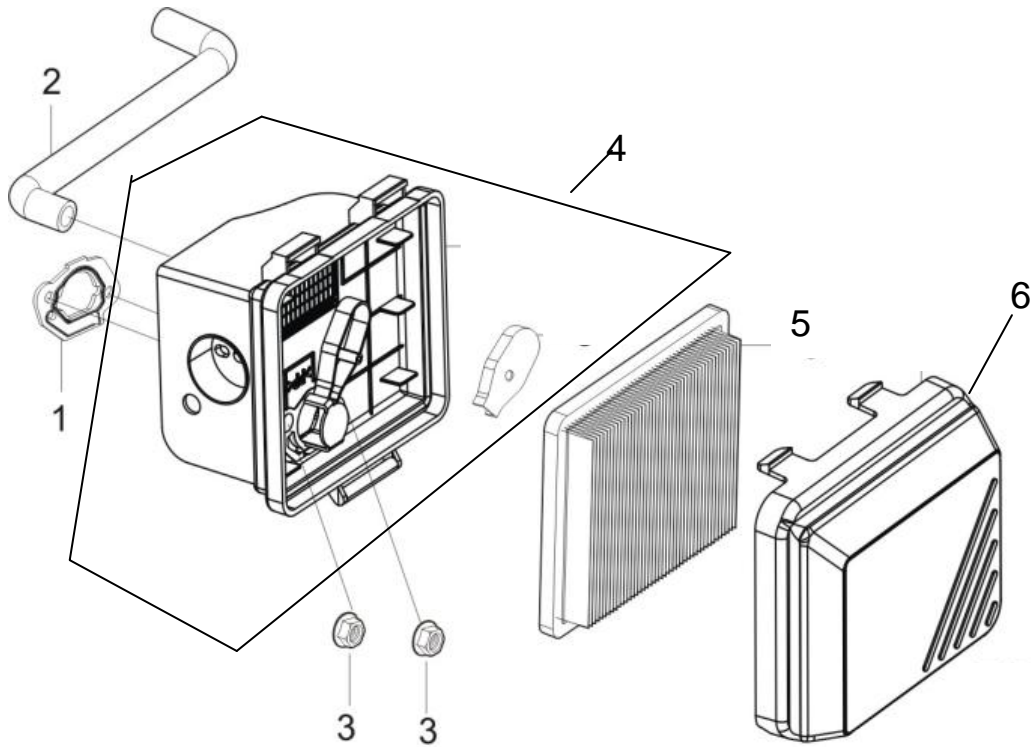
REF. NO.	DESCRIPTION	PART NO.	RQD
1	Gasket, Insulator	<i>Reference Only</i>	1
2	Spacer, Gasket	<i>Reference Only</i>	2
3	Gasket, Carburetor	<i>Reference Only</i>	3
4	Heat Shield, Carburetor	<i>Reference Only</i>	1
5	Kit, Carburetor Gasket (Incl. #1-4)	A201659	1
6	ASM, Carburetor	A201658	1
7	ASM, Primer Bulb	A201683	1

Flywheel / Ignition



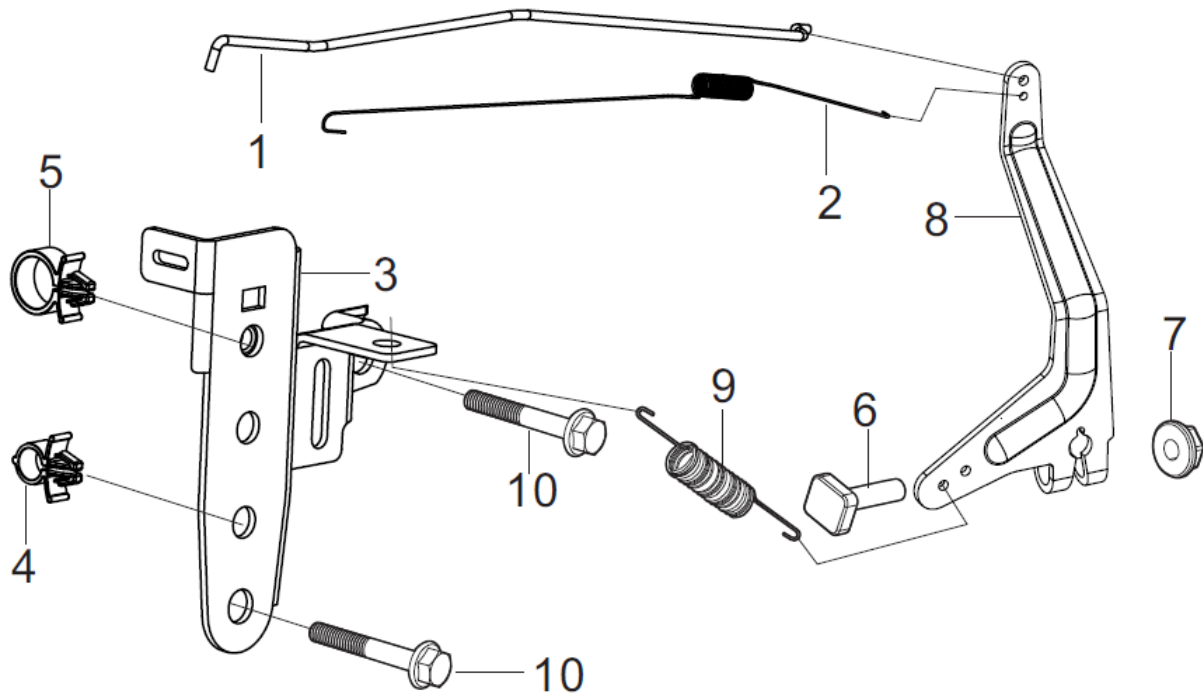
REF. NO.	DESCRIPTION	PART NO.	RQD
1	M14x1.5 Serrated Hex Flange Nut, Zinc, Grade 8	<i>Reference Only</i>	1
2	Fan, Flywheel	A201686	1
3	Flywheel	A201687	1
4	M6x1.0x25 Hex Flange Bolt, Zinc, Grade 8.8	<i>Reference Only</i>	2
5	Ground Wire, Engine Kill Switch	A201691	1
6	Switch, Engine Kill	A201692	1
7	Lead, Low Tension	A201693	1
8	Coil, Ignition	A201695	1

Air Cleaner



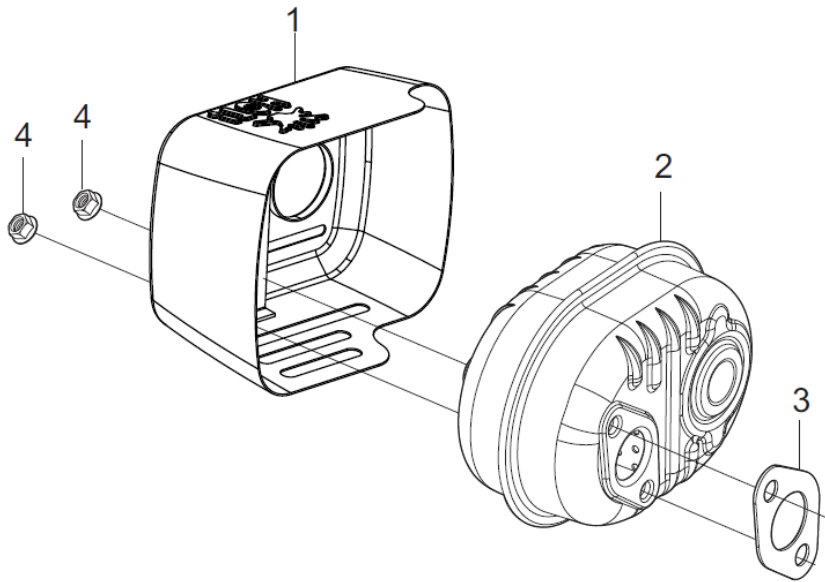
REF. NO.	DESCRIPTION	PART NO.	RQD
1	Gasket, Air Filter	A201696	1
2	Tube, Breather	A201697	1
3	M6x1.0 Flange Nut, Zinc, Grade 8	<i>Reference Only</i>	2
4	Kit, Air Filter Housing	A201763	1
5	Element, Filter	A201700	1
6	Cover, Air Filter	A201764	1

Control



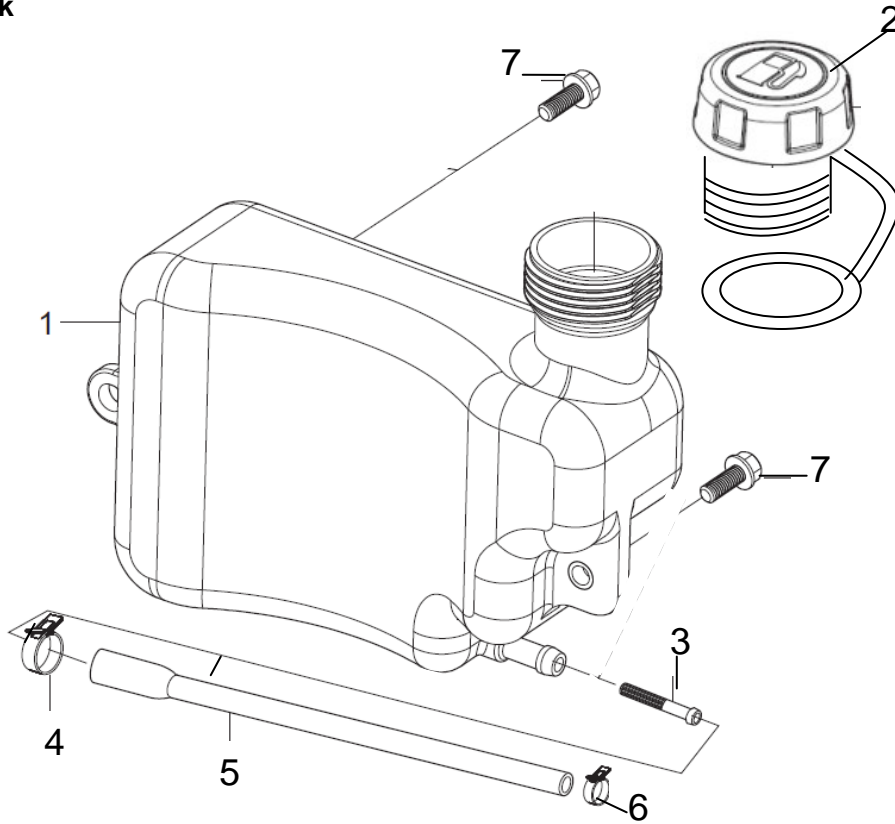
REF. NO.	DESCRIPTION	PART NO.	RQD
1	Rod, Governor	A201702	1
2	Spring, Throttle Return	A201703	1
3	Bracket, Throttle Control	<i>Reference Only</i>	1
4	Clip – 1	<i>Reference Only</i>	1
5	Clip – 2	<i>Reference Only</i>	1
6	Bolt, Governor Arm	<i>Reference Only</i>	1
7	Nut, Governor	<i>Reference Only</i>	1
8	Arm, Governor	<i>Reference Only</i>	1
9	Spring, Governor	A201710	1
10	M6x1.0x12 Hex Flange Bolt, Zinc, Grade 8.8	<i>Reference Only</i>	2

Muffler



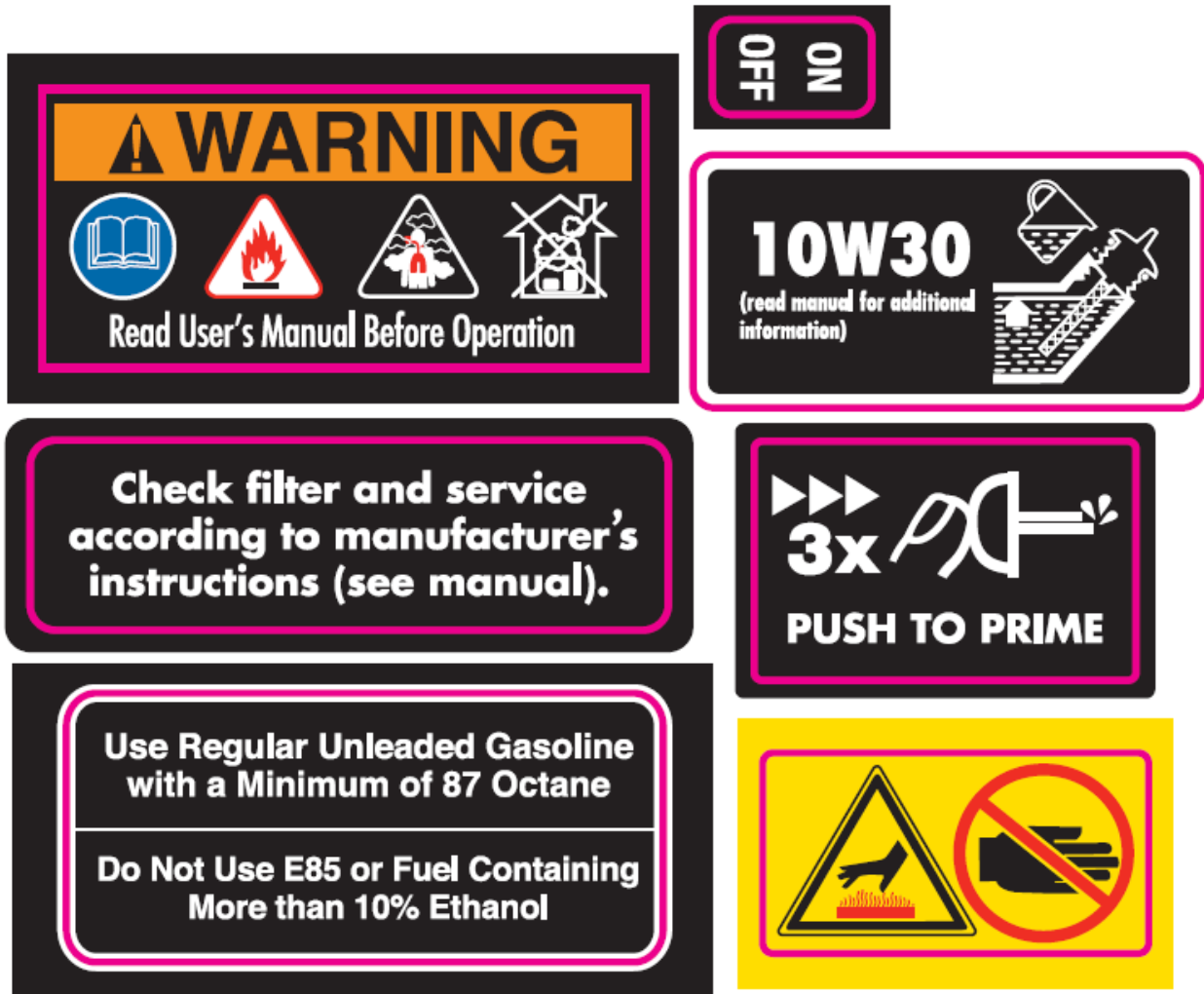
REF. NO.	DESCRIPTION	PART NO.	RQD
1	Shield, Muffler	A201712	1
2	ASM, Muffler	A201713	1
3	Gasket, Muffler	A201714	1
4	M6x1.0 Hex Flange Nut, Zinc, Grade 8	<i>Reference Only</i>	2

Fuel Tank



REF. NO.	DESCRIPTION	PART NO.	RQD
1	Tank, Fuel	A201717	1
2	Cap, Fuel – EPA3	A202482	1
3	Filter, Fuel	<i>Reference Only</i>	1
4	Clamp, Fuel Line – 1	<i>Reference Only</i>	1
5	Line, Fuel	A201724	1
6	Clamp, Fuel Line – 2	<i>Reference Only</i>	1
7	M6x1.0x14 Hex Flange Head Bolt, Zinc, Grade 8.8	<i>Reference Only</i>	2

Engine Decals



REF. NO.	DESCRIPTION	PART NO.	QTY
-	Decal Sheet, PFTT140/SFTT140 RATO Engine	A202631	1