

SOUTHLAND™

ILLUSTRATED PARTS BOOK

Front Tine Tiller

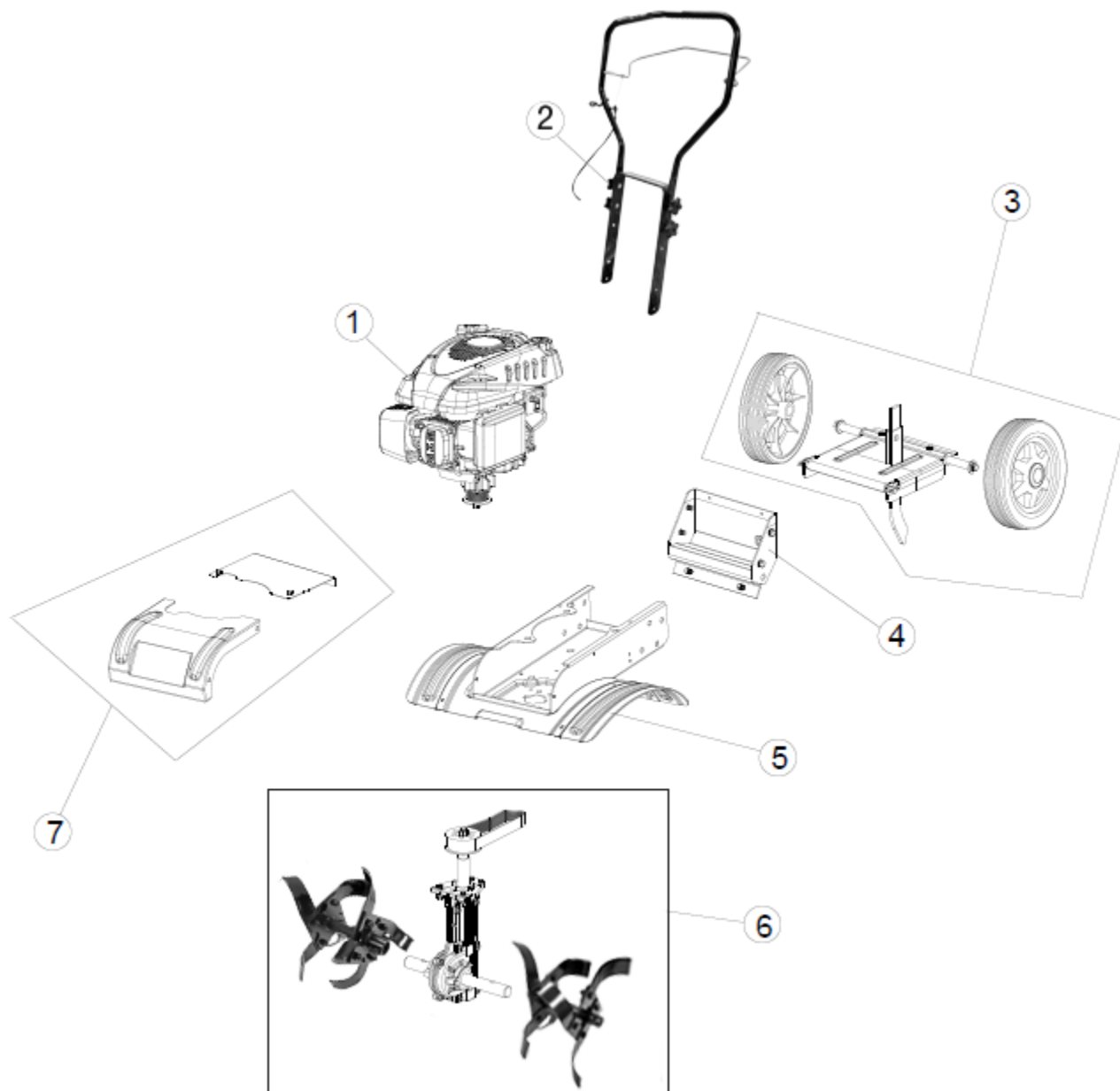
SFTT140.1



Table of Contents

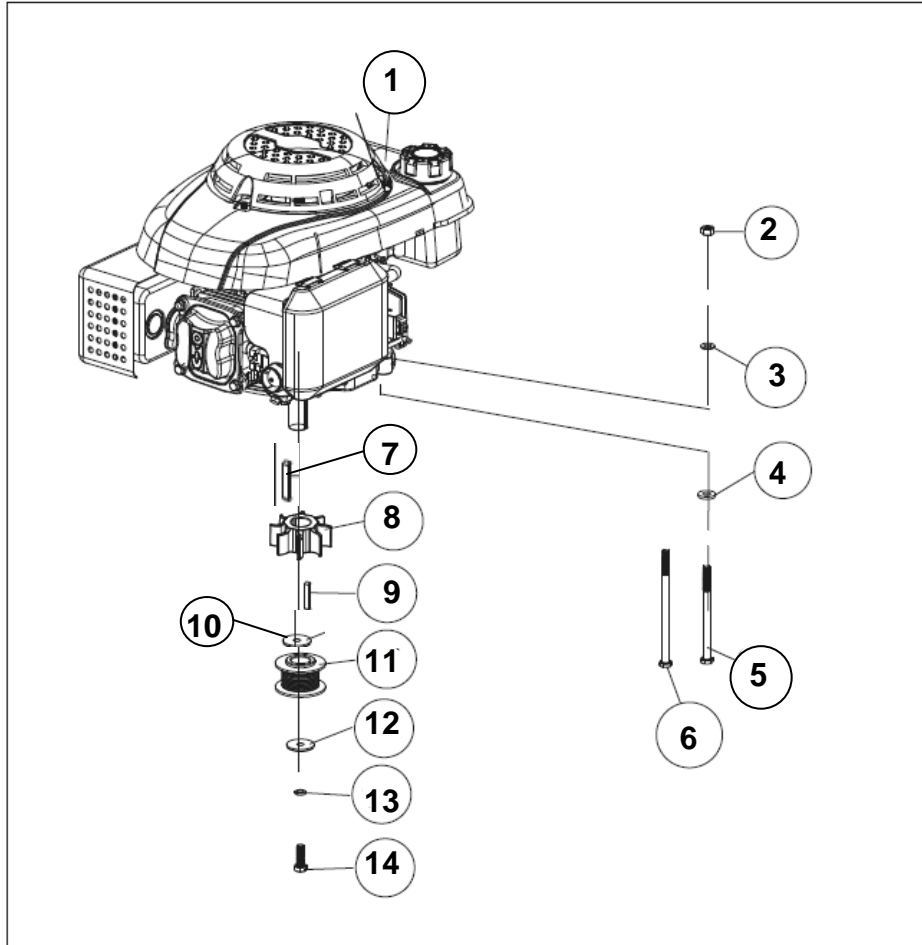
Top Level Assembly.....	3
Engine – Top Level Assembly.....	4
Handle Assembly.....	5
Swing Plate Assembly.....	6
Swing Plate Mount Assembly.....	7
Base Assembly.....	8-9
Tine and Transmission Assembly.....	10-11
Inspection Plates.....	12
Unit Decals.....	13
<u>RV140 Engine-EPA3 (A202389)</u>	
Cylinder Head.....	14
Short Block Assembly.....	15
Camshaft.....	16
Engine Shroud & Recoil ASM.....	17
Carburetor.....	18
Flywheel / Ignition.....	19
Air Cleaner.....	20
Control.....	21
Muffler.....	22
Fuel Tank.....	23
Engine Decals.....	24

Top Level Assembly



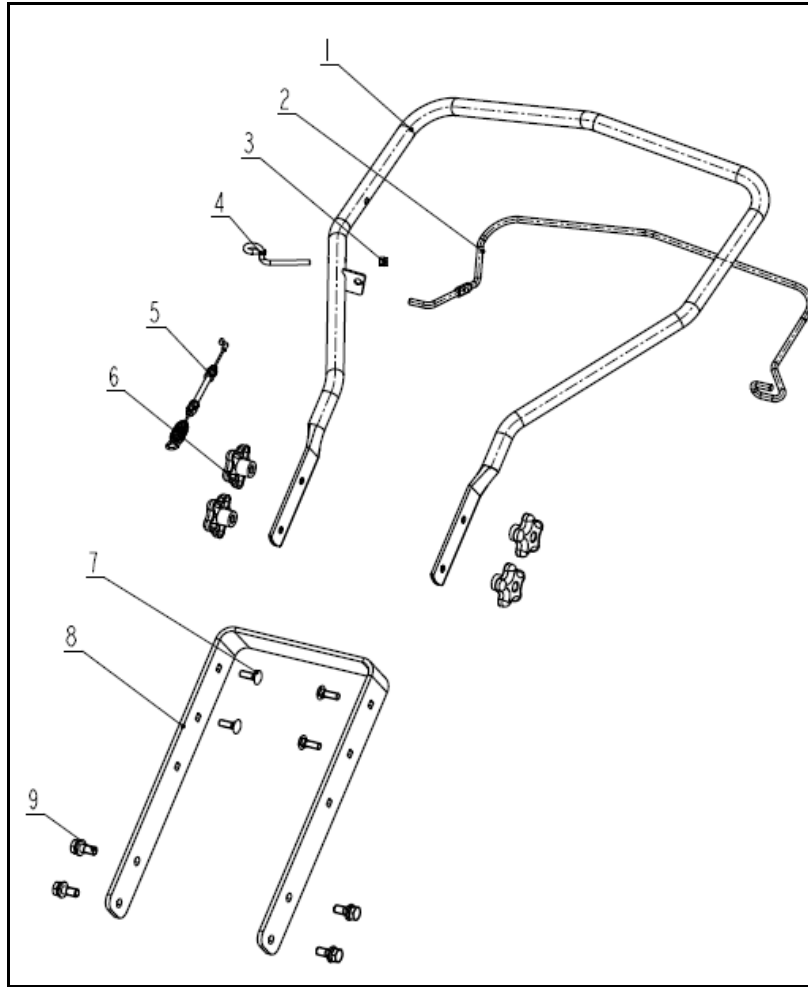
REF. NO.	DESCRIPTION	PART NO.	RQD
1	Engine-Top Level Assembly	See Page 4	1
2	Handle Assembly	See Page 5	1
3	Swing Plate Assembly	See Page 6	1
4	Swing Plate Mount Assembly	See Page 7	1
5	Base Assembly	See Page 8	1
6	Tines & Transmission Assembly	See Page 10	1
7	Inspection Plates	See Page 12	1

Engine – Top Level Assembly



REF. NO.	DESCRIPTION	PART NO.	RQD
1	Engine, RATO 139cc Vertical (EPA3)	A202389	1
2	Nut, M8	A200524	3
3	Flat Washer, M8	A200506	3
4	Spacer, Engine Mounting	A200664	3
5	M8x1.25x130, Hex Head Screw, Grade	A200655	1
6	M8x1.25x140, Hex Head Screw, Grade 8.8, Zinc	A200656	2
7	Key, 4x6.5x16	A200663	1
8	Fan, Pulley	A200714	1
9	Key, Engine	A200715	1
10	Flat Washer, 22.5x35x0.5	A202687	1
11	Engine Pulley	A200716	1
12	Flat Washer, 10x32x4	A200717	1
13	Spring Washer, M10	A200531	1
14	3/8-24, Engine Driveshaft Screw	A200718	1

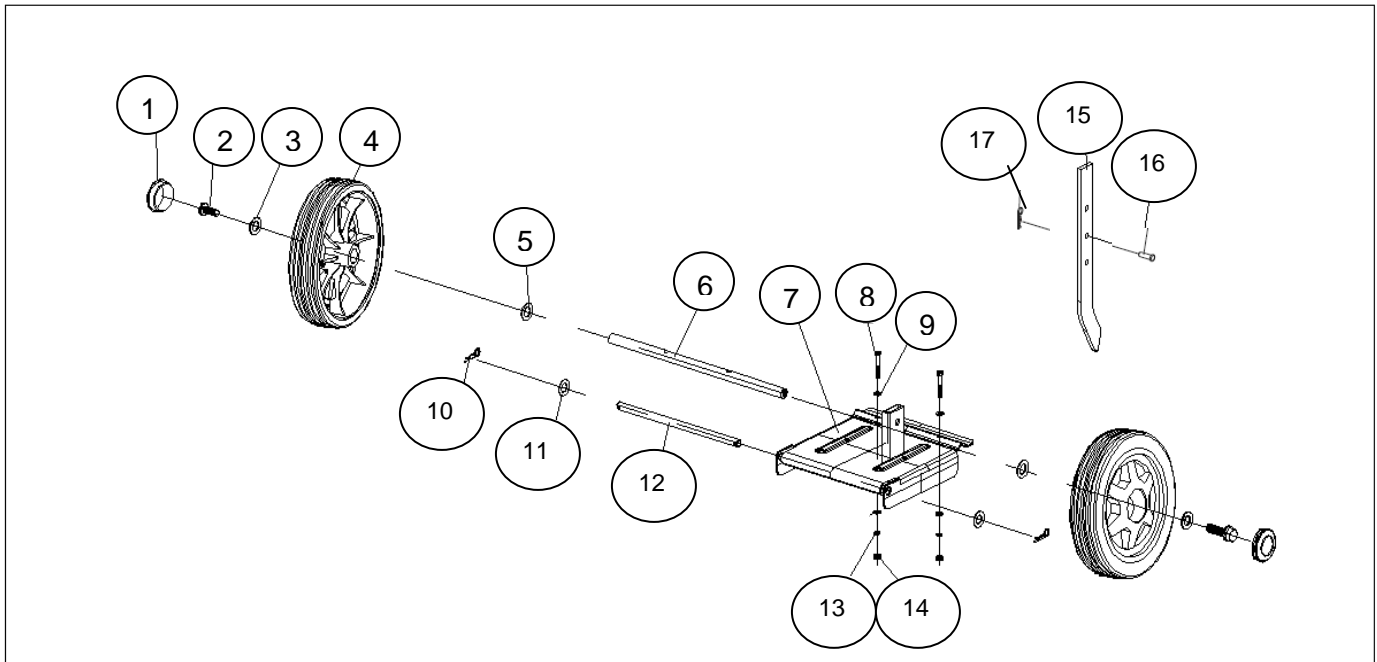
Handle Assembly



Handle Assembly

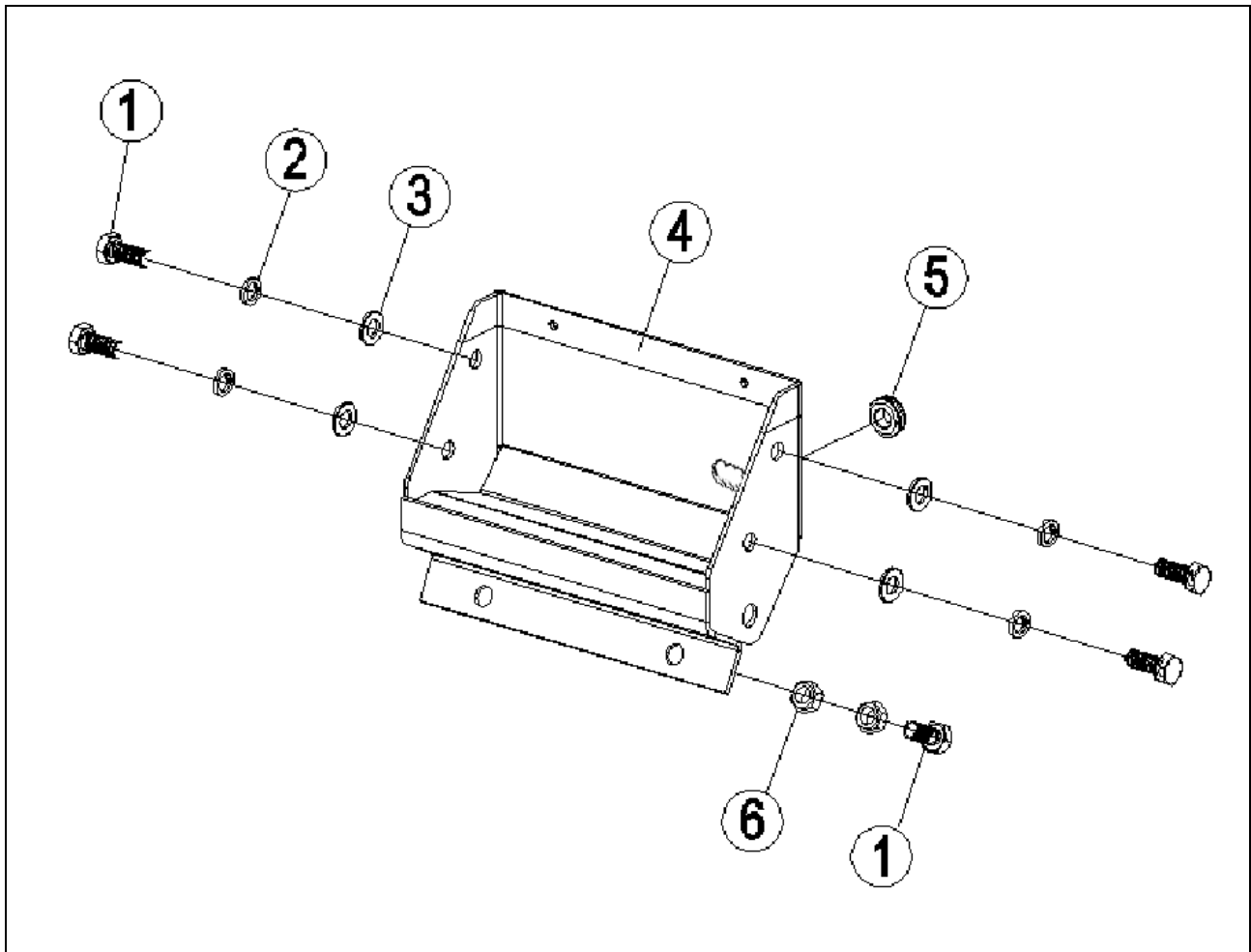
REF. NO.	DESCRIPTION	PART NO.	RQD
1	Upper Handle, 22 mm Tube	A202952	1
2	Clutch Bar	A202953	1
3	Nut ¼-20	<i>Reference Only</i>	1
4	Guide Rope	A203153	1
5	Assembly, Clutch Cable Control	A202954	2
6	Knob Handle	A200486	4
7	Bolt, Carriage M8 x 1.25 x 25	<i>Reference Only</i>	4
8	Lower Handle	A202946	1
9	Combination Screw M10 x 1.5 x 25	<i>Reference Only</i>	4

Swing Plate Assembly



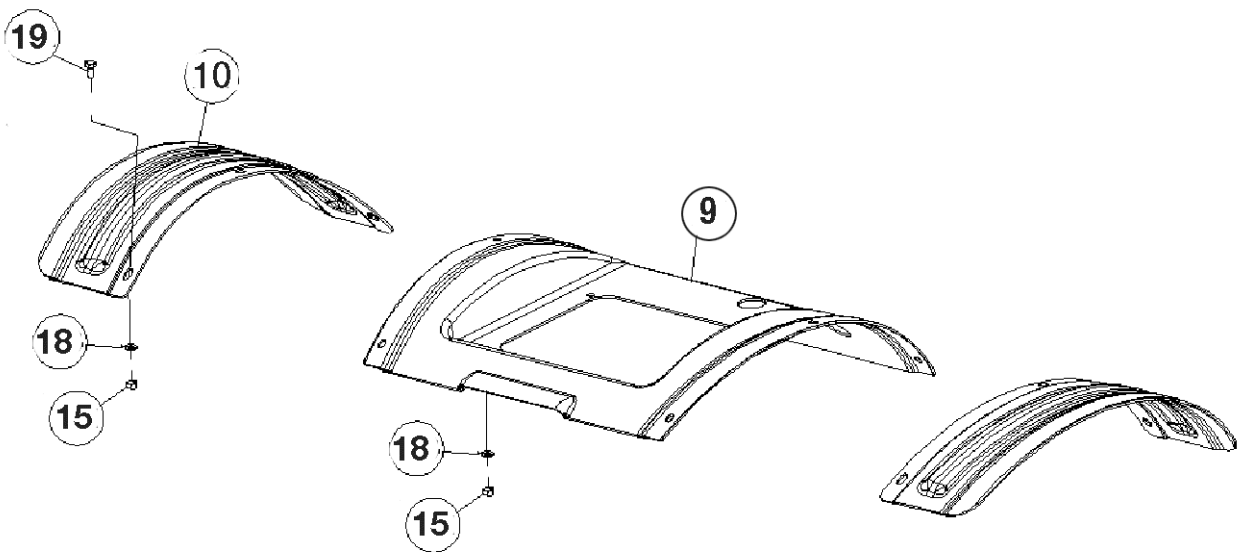
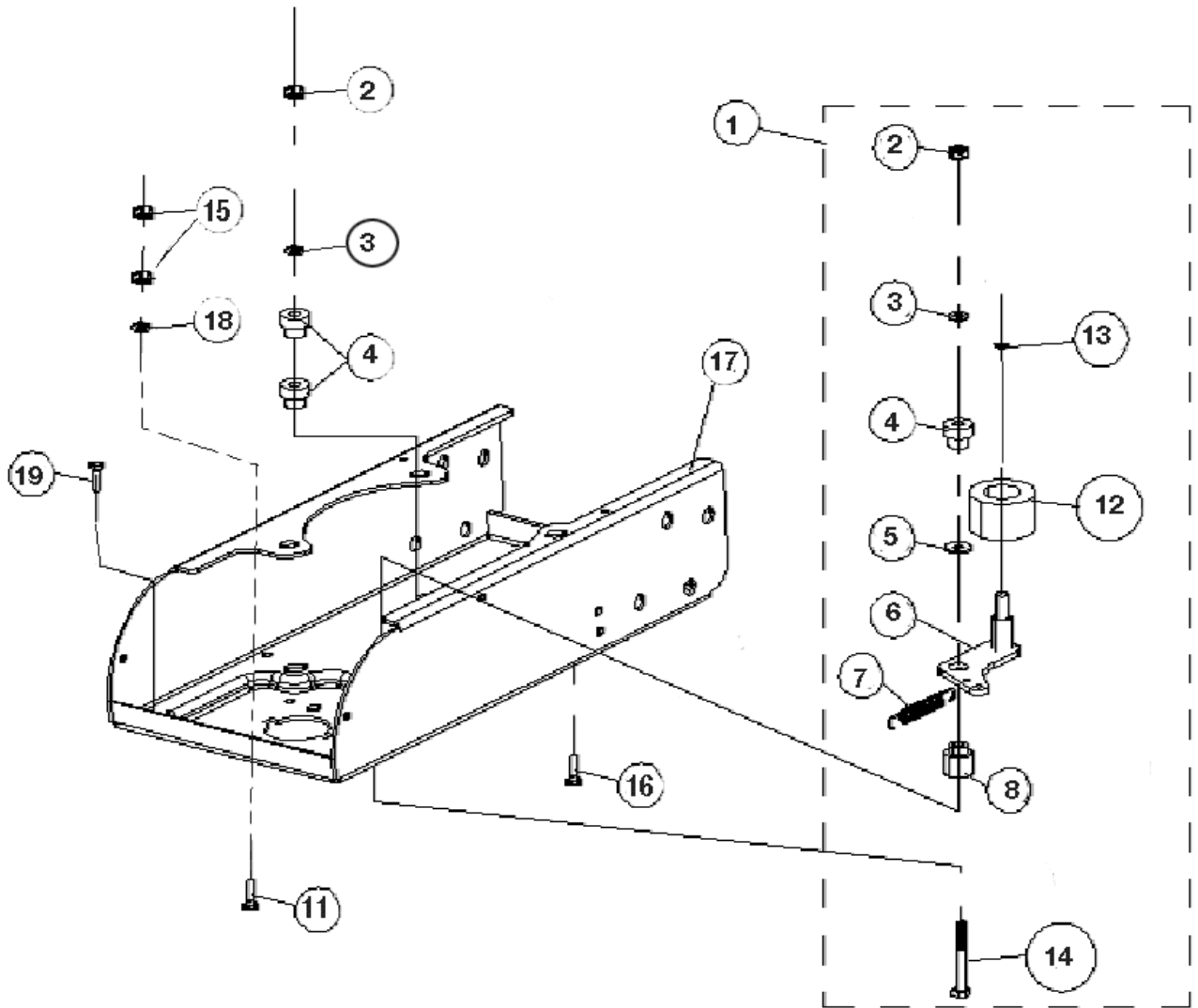
REF. NO.	DESCRIPTION	PART NO.	RQD
1	Hubcap, 8" Wheel	A200373	2
2	M8x1.25x12, Hex Flange Head Screw, Grade 8.8, Zinc	<i>Reference Only</i>	2
3	Flat Washer, M8, Zinc	<i>Reference Only</i>	2
4	Wheel, 8 Inch	A200375	2
5	Flat Washer, M14, Zinc	<i>Reference Only</i>	2
6	Axle, Wheel - Threaded	A200376	1
7	Swing Plate - Southland	A200644	1
8	M8x1.25x30, Hex Head Screw, Grade 8.8, Zinc	<i>Reference Only</i>	2
9	Flat Washer, M8, Zinc	<i>Reference Only</i>	4
10	Cotter Key, 2x37	<i>Reference Only</i>	3
11	Flat Washer, M12, Zinc	<i>Reference Only</i>	2
12	Axle, Swing Plate	A200691	1
13	Lock Washer, M8, Zinc	<i>Reference Only</i>	2
14	M8x1.25, Hex Lock Nut, Grade 8, Zinc	<i>Reference Only</i>	2
15	Drag Bar, Three Hole	A200378	1
16	Pin, 8x20	A200673	1
17	Hair Pin, 2x37	A200671	1

Swing Plate Mount Assembly



REF. NO.	DESCRIPTION	PART NO.	RQD
1	M10x 1.5 x 25 Hex Head Screw, Grade 8.8 Zinc	<i>Reference Only</i>	6
2	Lock Washer, M10	<i>Reference Only</i>	4
3	Flat Washer, M10	<i>Reference Only</i>	4
4	Swing Plate Mounting Frame - Southland	A203115	1
5	Grommet	A200569	1
6	M10x 1.5 Hex Jam Nut, Grade 8.8 Zinc	<i>Reference Only</i>	2

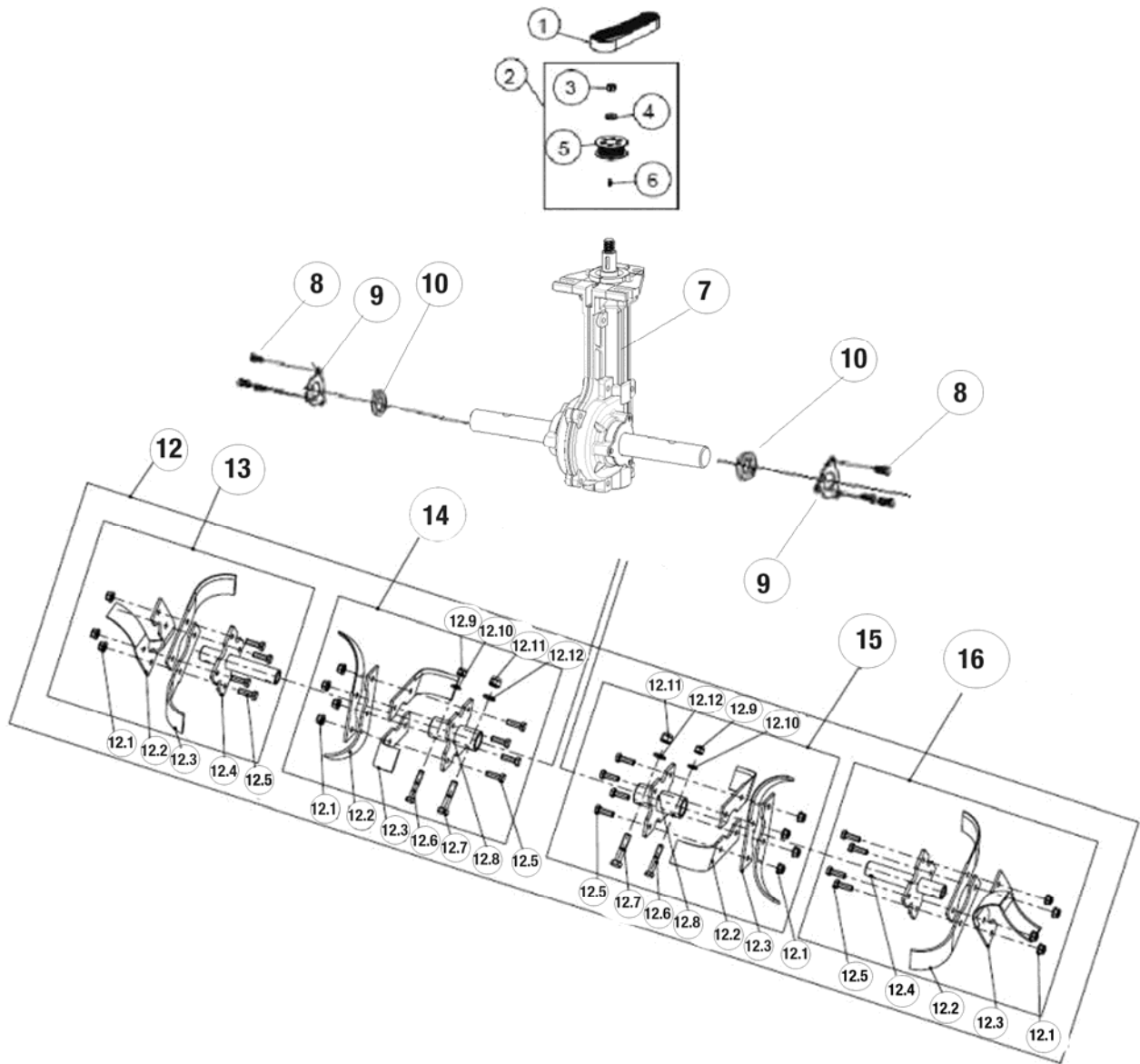
Base Assembly



Base Assembly

REF No.	DESCRIPTION	PART NO	RQD
1	Kit Tension Idler (#2-8 & 12-14)	A200826	1
2	M8X1.0, Hex Lock Nut Grade 8, Zinc	Reference Only	2
3	Flat Washer M8, Zinc	Reference Only	2
4	Bushing,belt	A200658	3
5	Flat Washer,8x22x2	Reference Only	1
6	Tensioner Arm	Reference Only	1
7	Spring,Clutch	A200676	1
8	Bushing,Tensioner Arm	Reference Only	1
9	Tine Shield,Curved, Southland	A202695	1
10	Shield,Extension, Southland	A202696	2
11	M6x1x25, Hex Flange Head Screw, Grade 8.8 Zinc	Reference Only	1
12	Tensioner	A200681	1
13	Circlip,10	A200546	1
14	M8x1.25x60, Hex Head	Reference Only	1
15	M8x1.0, Lock Nut Grade	Reference Only	12
16	M8x1.25x50, Hex Head Screw, Grade 8.8 Zinc	Reference Only	1
17	Mounting Frame,Curved Southland	A202694	1
18	Flat Washer M6, Zinc	Reference Only	9
19	Flange Bolt M6x1x16	Reference Only	10

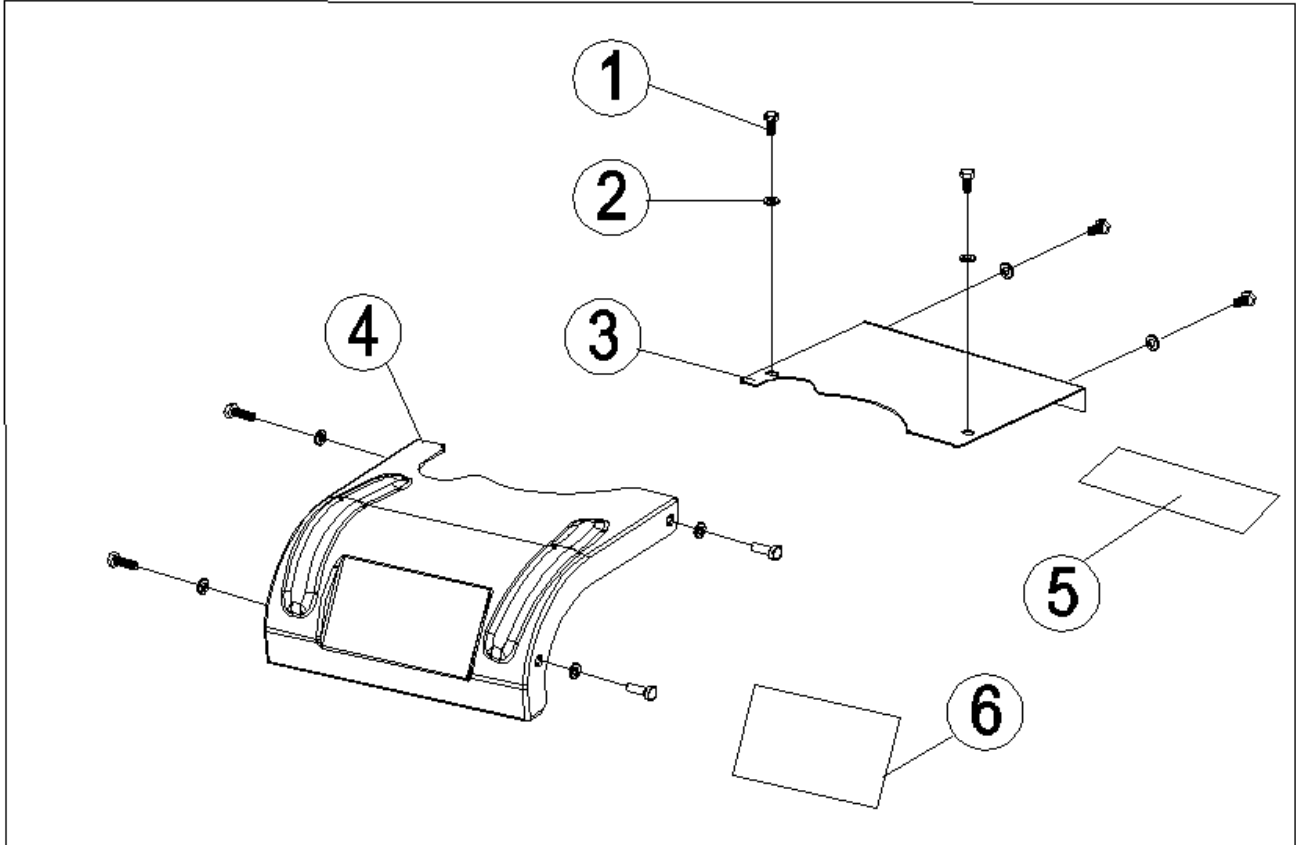
Tine and Transmission Assembly



Tine and Transmission Assembly

REF No.	DESCRIPTION	PART NO	RQD
1	Drive Blet,10PJ508	A200659	1
2	Kit, Transmission Pulley	A200822	1
3	Lock Nut M12x1.75	A200660	1
4	Flat Washer 12	A200661	1
5	Pulley, Transmission	A200662	1
6	Key,4x6.5x16	A200663	1
7	Kit, Transmission Assembly	A200829	1
8	Combination ScrewM6x1X16	A200619	6
9	Gear Box Seal Cover	A200620	2
10	Transmission Seal 25x40x7	A200621	2
12	Right & Left Tine	Reference Only	1
12.1	Lock Nut M8X1.25	Reference Only	16
12.2	Tine, Right	A202956	8
12.3	Tine, Left	A202957	8
12.4	Hub, Outside	Reference Only	2
12.5	Bolt M8X1.25X25	Reference Only	16
12.6	Bolt M8x1.25x50	A200533	2
12.7	Bolt M10x1.5x50	A200578	2
12.8	Hub, Inside	Reference Only	2
12.9	Lock Nut M8x1.25	A200524	2
12.10	Flat Washer 8	Reference Only	4
12.11	Lock Nut M10x1.5	A200532	2
12.12	Flat Washer 10	Reference Only	4
13	Right Tine, Outside	A202950	1
14	Right Tine, Inside	A202948	1
15	Left Tine, Inside	A202947	1
16	Left Tine, Outside	A202949	1
<p>NOTE: References to right or left of the unit are determined from behind the unit in the operating position.</p>			

Inspection Plates



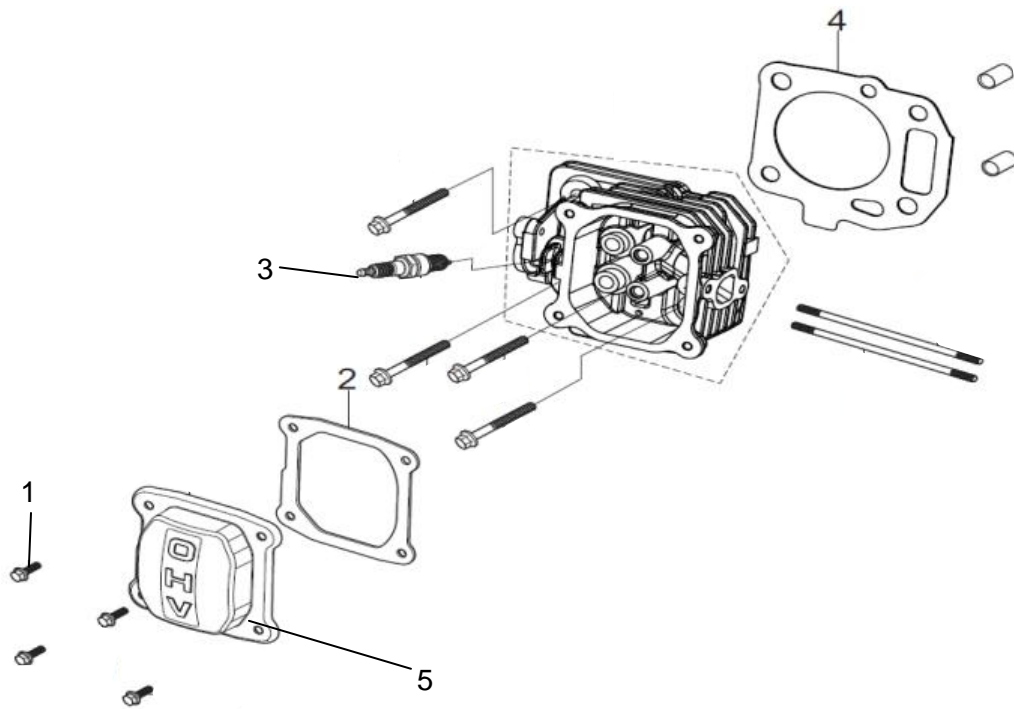
REF. NO.	DESCRIPTION	PART NO.	RQD
1	M6x1.0x12, Hex Head Cap Screw, Grade 8.8, Zinc	<i>Reference Only</i>	8
2	Flat Washer, M6, Zinc	<i>Reference Only</i>	8
3	Rear Inspection Plate - Southland	A200641	1
4	Front Inspection Plate, Curved - Southland	A202697	1

Unit Decals



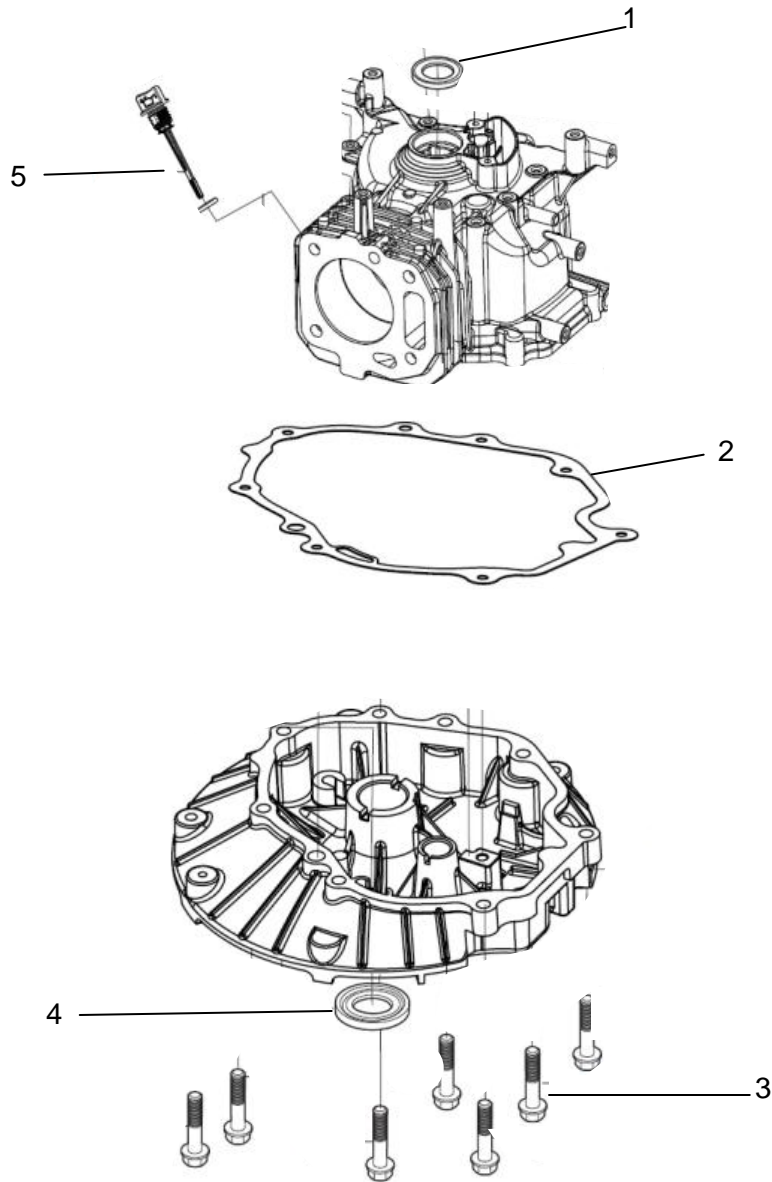
REF. NO.	DESCRIPTION	PART NO.	QTY
-	Decal Sheet, SFTT140 Unit	A202698	1

Cylinder Head



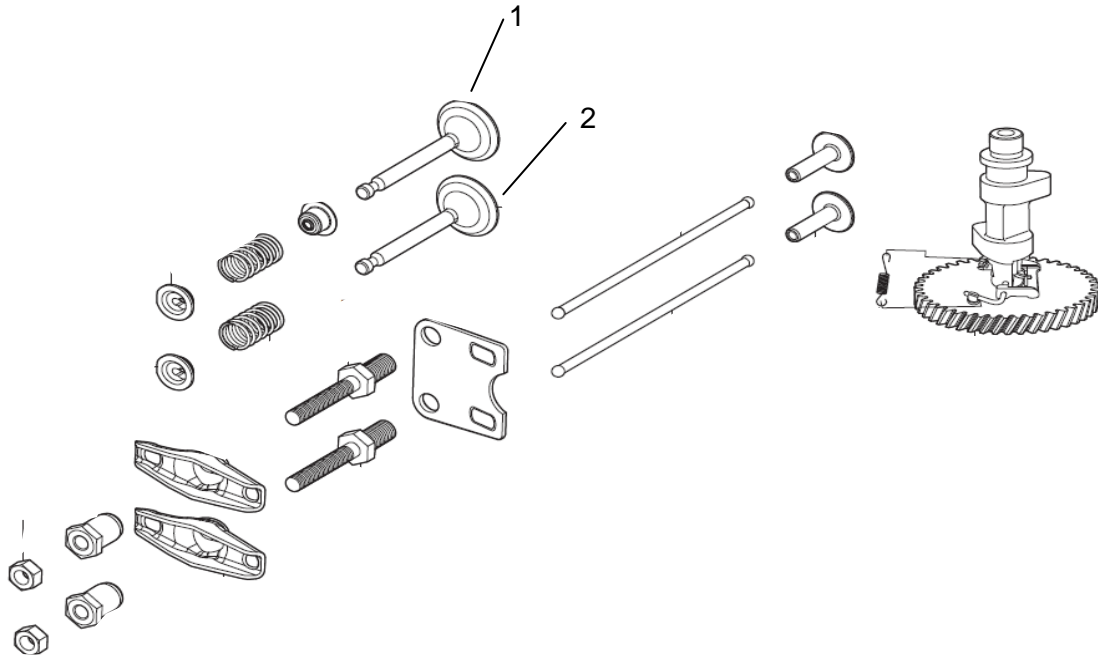
REF. NO.	DESCRIPTION	PART NO.	RQD
1	M6x1.0x12, Hex Flange Bolt, Zinc, Grade 8.8	Reference Only	4
2	Gasket, Cylinder Head Cover	A201567	1
3	Plug, Spark (Torch F7TC, NGK BPGES, Champion RN9YC4)	A201233	1
4	Gasket, Cylinder Head	A201569	1
5	Cover, Cylinder Head	A201566	1

Short Block Assembly



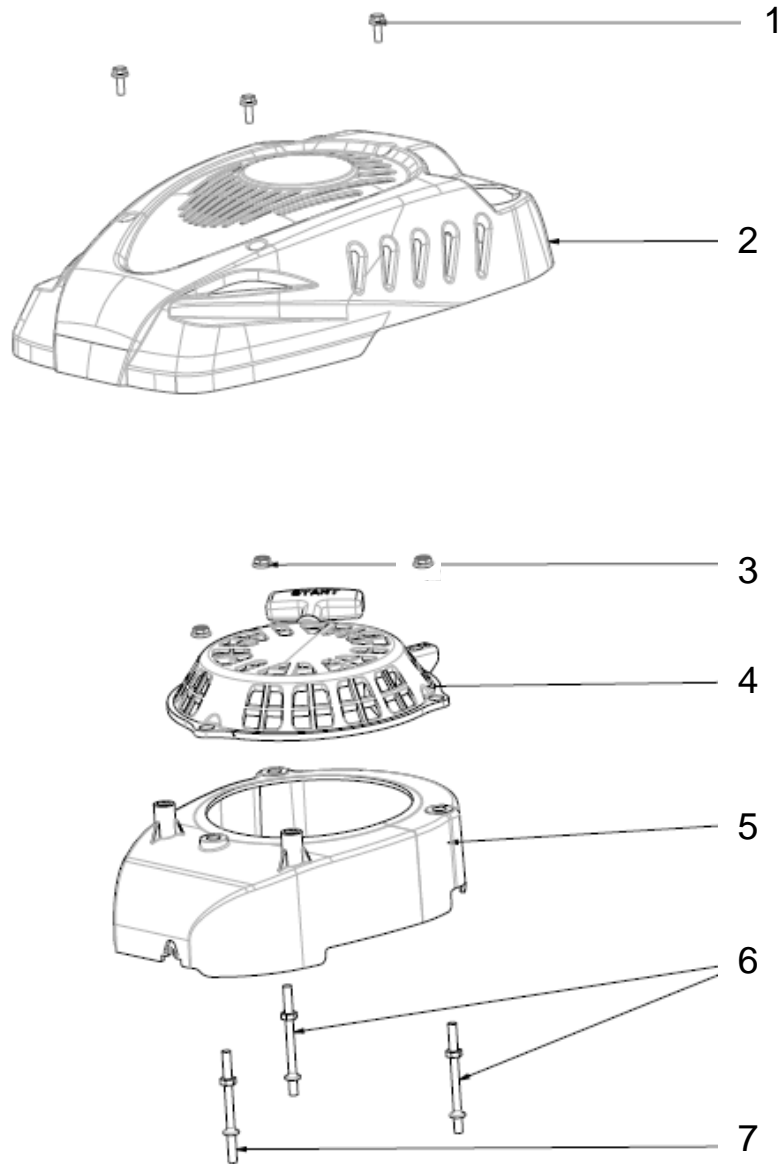
REF. NO.	DESCRIPTION	PART NO.	RQD
1	Seal, Oil	A201581	1
2	Gasket, Crankcase	A201592	1
3	M6x1.0x27, Hex Flange Bolt, Zinc, Grade 8.8	Reference Only	7
4	Seal, Oil	A201599	1
5	Sub Assembly, Oil Dipstick	A201577	1

Camshaft



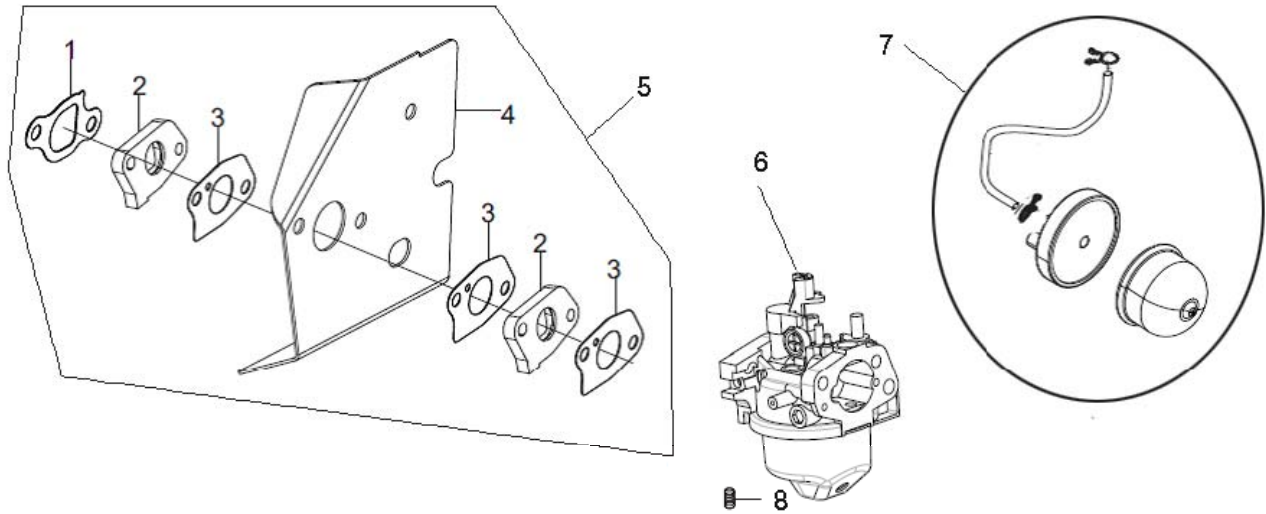
REF. NO.	DESCRIPTION	PART NO.	RQD
1	Valve, Intake	A201627	1
2	Valve, Exhaust	A201633	1

Engine Shroud



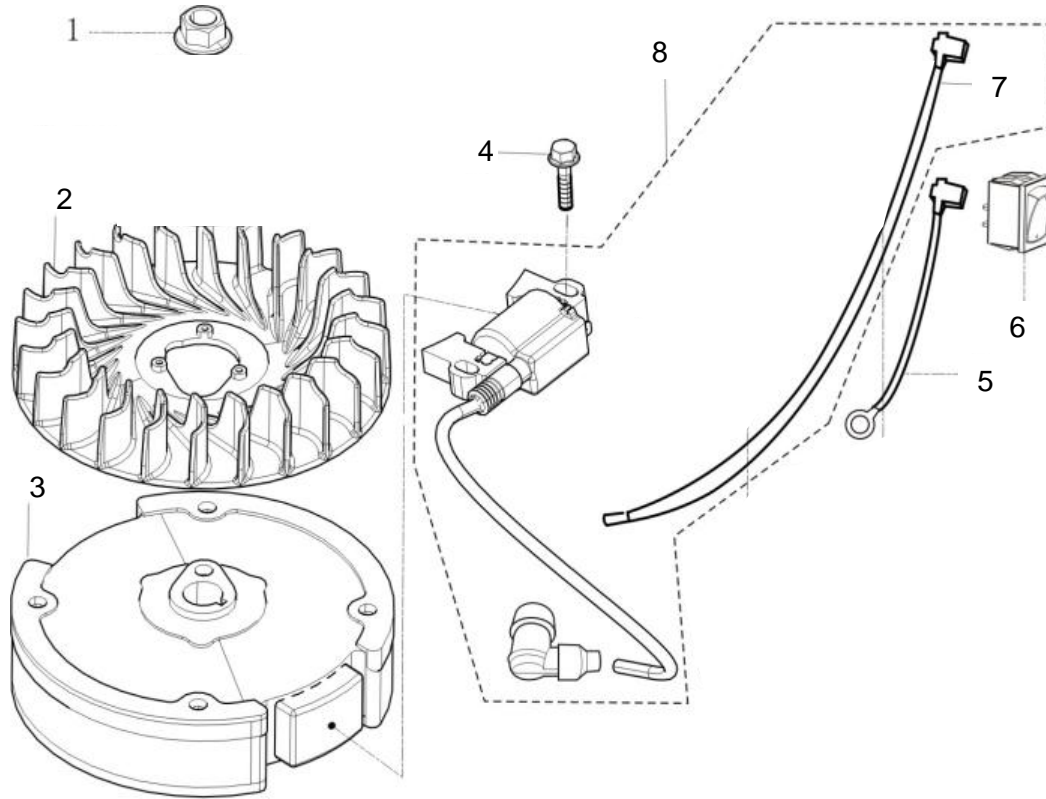
REF. NO.	DESCRIPTION	PART NO.	RQD
1	Bolt, Housing	A201637	3
2	Shroud, Engine (Without Brand Decals)	A203033	1
3	M6x1.0 Hex Flange Nut, Zinc, Grade 8	Reference Only	3
4	ASM, Recoil Starter	A201653	1
5	Shroud, Recoil ASM	A201636	1
6	Stud, Recoil Shroud – 1	A201638	2
7	Stud, Recoil Shroud – 2	A201639	1

Carburetor



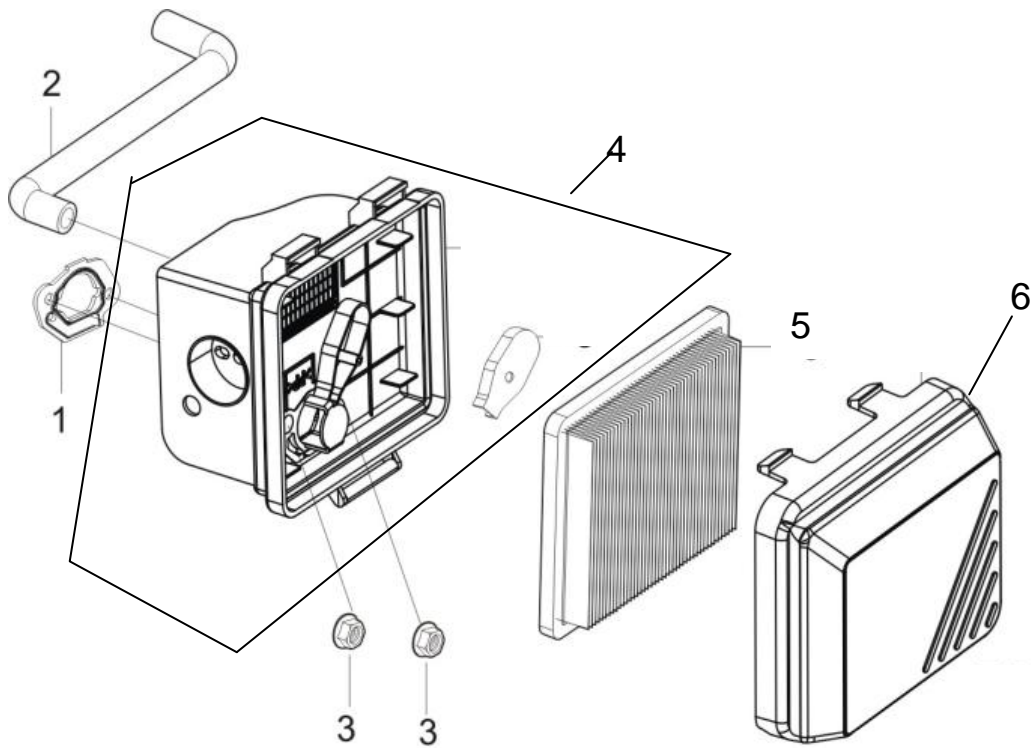
REF. NO.	DESCRIPTION	PART NO.	RQD
1	Gasket, Insulator	<i>Reference Only</i>	1
2	Spacer, Gasket	<i>Reference Only</i>	2
3	Gasket, Carburetor	<i>Reference Only</i>	3
4	Heat Shield, Carburetor	<i>Reference Only</i>	1
5	Kit, Carburetor Gasket (Incl. #1-4)	A203037	1
6	ASM, Carburetor	A201658	1
7	ASM, Primer Bulb	A201683	1
8	Jet, High Altitude (above 7000 feet MSL)	A203107	1

Flywheel / Ignition



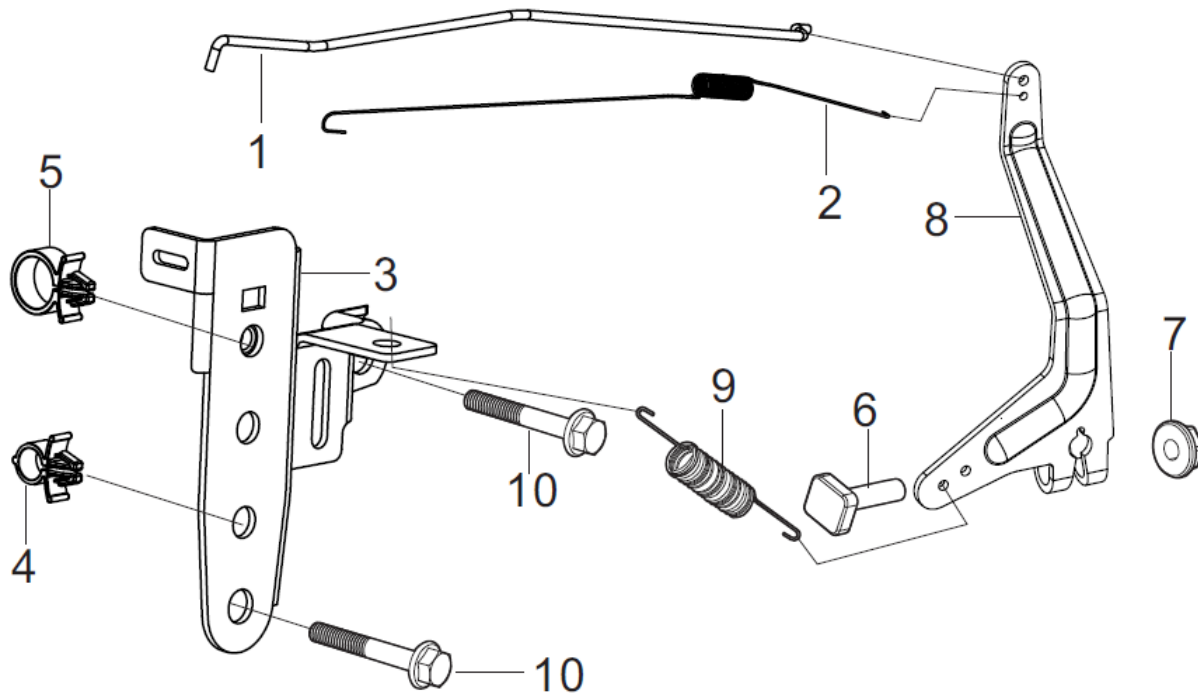
REF. NO.	DESCRIPTION	PART NO.	RQD
1	M14x1.5 Serrated Hex Flange Nut, Zinc, Grade 8	<i>Reference Only</i>	1
2	Fan, Flywheel	A201686	1
3	Flywheel	A203038	1
4	M6x1.0x25 Hex Flange Bolt, Zinc, Grade 8.8	<i>Reference Only</i>	2
5	Ground Wire, Engine Kill Switch	A201691	1
6	Switch, Engine Kill	A201692	1
7	Lead, Low Tension	A201693	1
8	Coil, Ignition	A203039	1

Air Cleaner



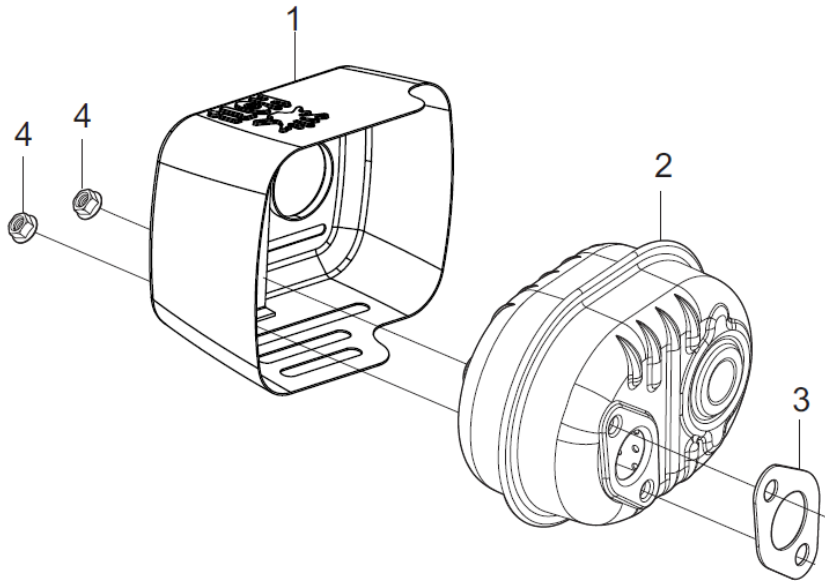
REF. NO.	DESCRIPTION	PART NO.	RQD
1	Gasket, Air Filter	A201696	1
2	Tube, Breather	A201697	1
3	M6x1.0 Flange Nut, Zinc, Grade 8	<i>Reference Only</i>	2
4	Kit, Air Filter Housing	A201763	1
5	Element, Filter	A201700	1
6	Cover, Air Filter	A201764	1

Control



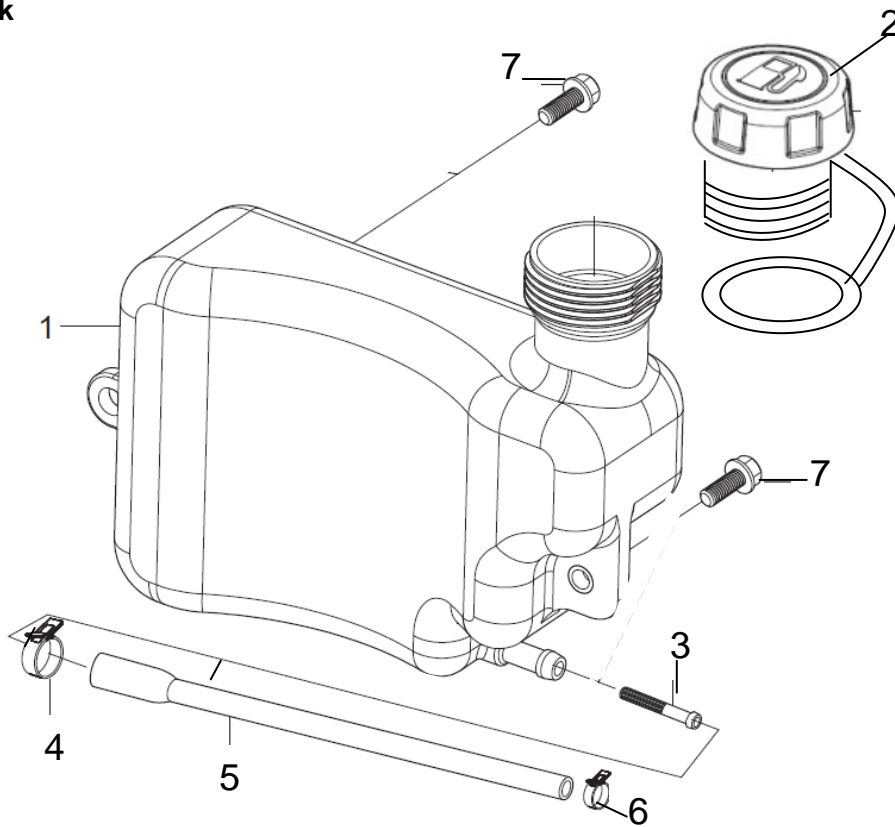
REF. NO.	DESCRIPTION	PART NO.	RQD
1	Rod, Governor	A201702	1
2	Spring, Throttle Return	A201703	1
3	Bracket, Throttle Control	<i>Reference Only</i>	1
4	Clip – 1	<i>Reference Only</i>	1
5	Clip – 2	<i>Reference Only</i>	1
6	Bolt, Governor Arm	<i>Reference Only</i>	1
7	Nut, Governor	<i>Reference Only</i>	1
8	Arm, Governor	<i>Reference Only</i>	1
9	Spring, Governor	A201710	1
10	M6x1.0x12 Hex Flange Bolt, Zinc, Grade 8.8	<i>Reference Only</i>	2

Muffler



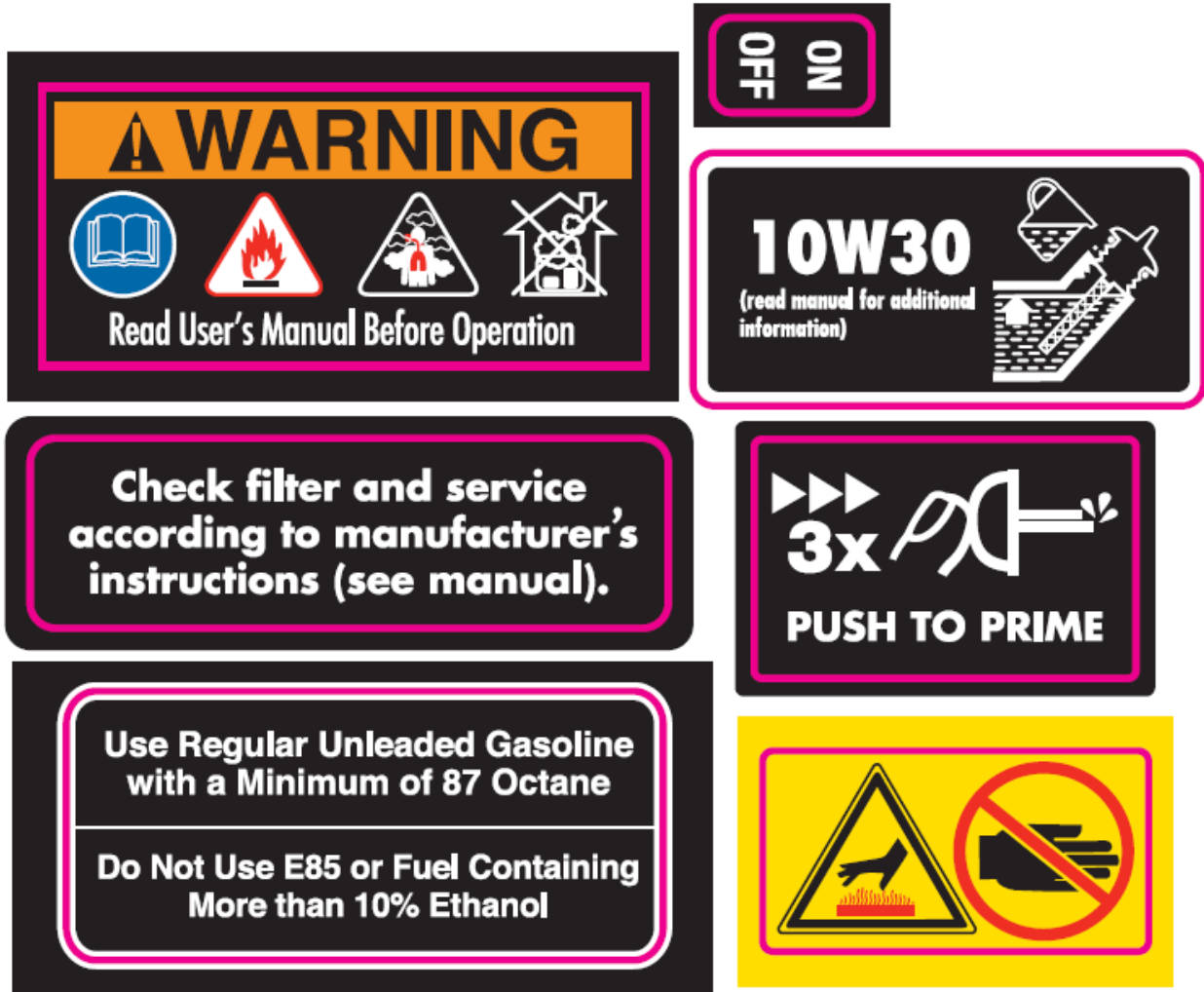
REF. NO.	DESCRIPTION	PART NO.	RQD
1	Shield, Muffler	A201712	1
2	ASM, Muffler	A203045	1
3	Gasket, Muffler	A203047	1
4	M6x1.0 Hex Flange Nut, Zinc, Grade 8	<i>Reference Only</i>	2

Fuel Tank



REF. NO.	DESCRIPTION	PART NO.	RQD
1	Tank, Fuel	A201717	1
2	Cap, Fuel – EPA3	A202482	1
3	Filter, Fuel	<i>Reference Only</i>	1
4	Clamp, Fuel Line – 1	<i>Reference Only</i>	1
5	Line, Fuel	A201724	1
6	Clamp, Fuel Line – 2	<i>Reference Only</i>	1
7	M6x1.0x14 Hex Flange Head Bolt, Zinc, Grade 8.8	<i>Reference Only</i>	2

Engine Decals



REF. NO.	DESCRIPTION	PART NO.	QTY
-	Decal Sheet, PFTT140/SFTT140 RATO Engine	A202631	1