

SOUTHLAND™

ILLUSTRATED PARTS BOOK

4-Cycle Edger King PRO

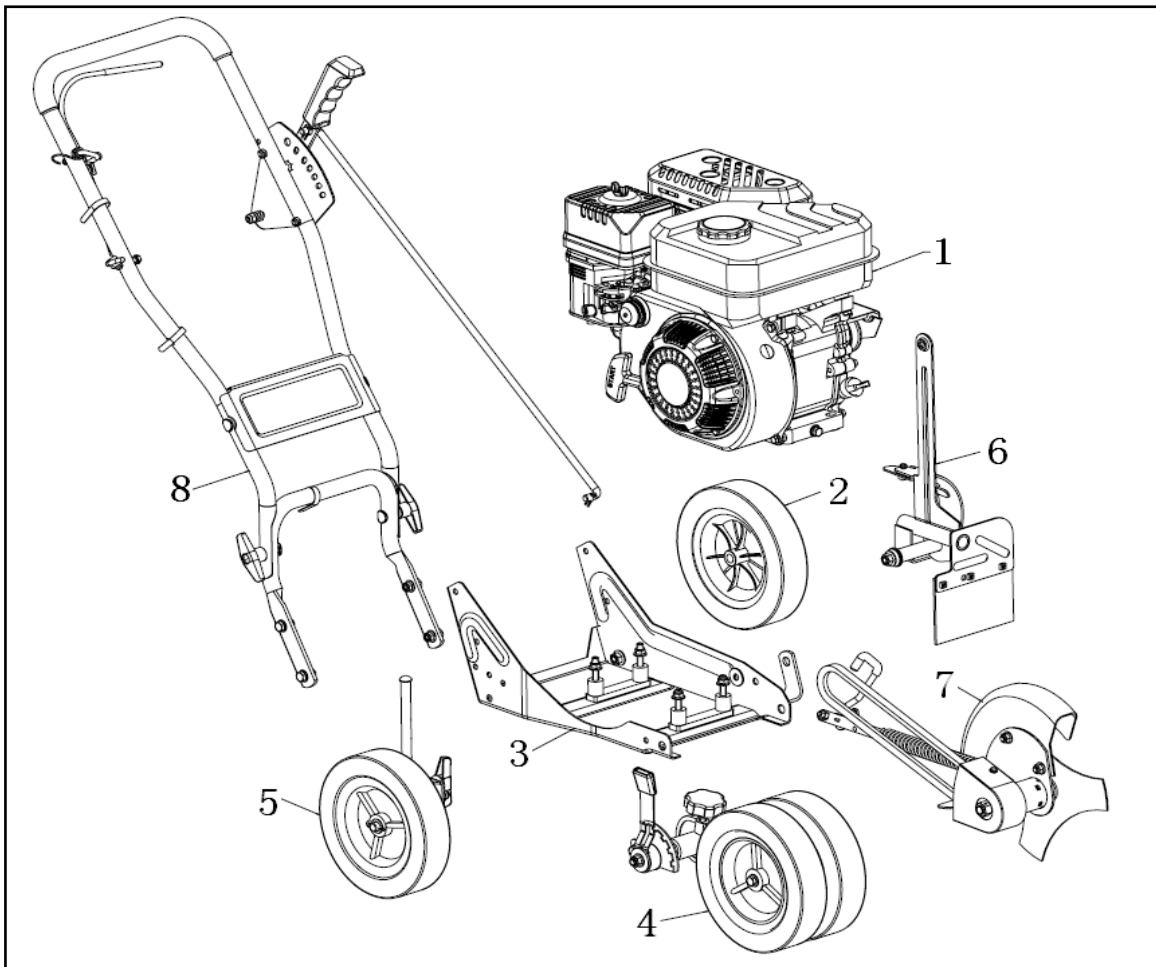
S-WLE-1639-[E]



Table of Contents

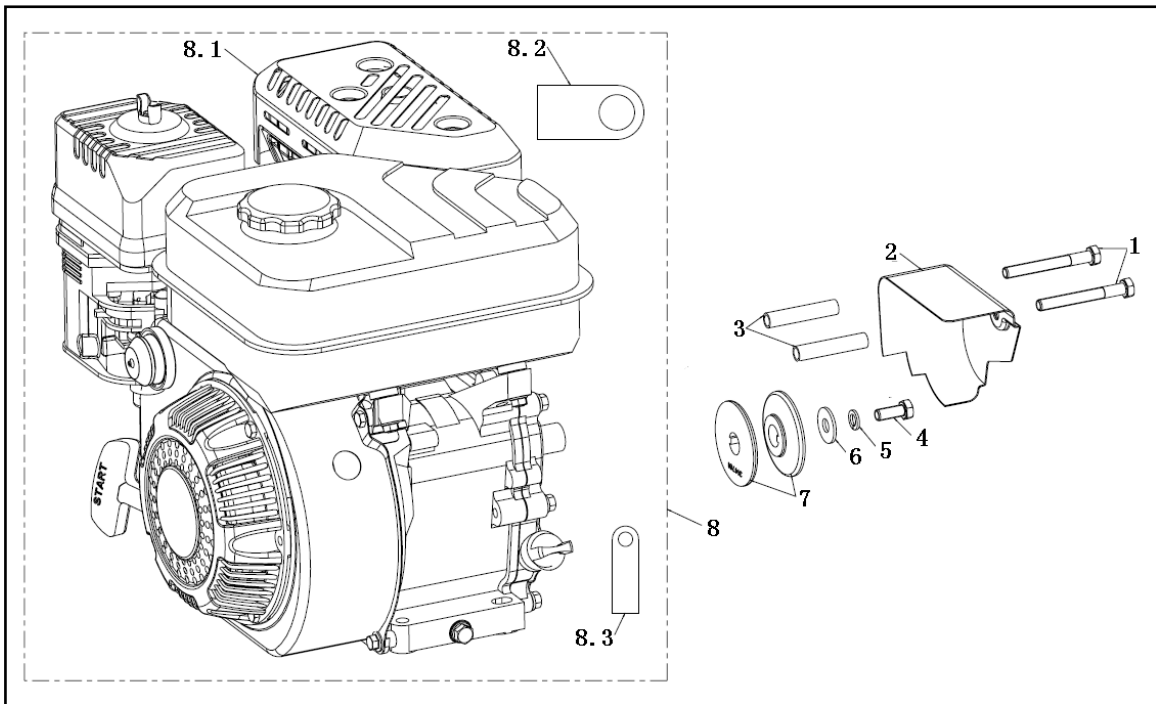
Top Level Assembly.....	3
Engine - Top Level Assembly	4
Quill Arm Assembly	5
Frame Assembly.....	6
Fixed Rear Wheel Assembly.....	7
Adjustable Rear Wheel Assembly.....	8
Front Wheel Assembly.....	9
Blade Arm Assembly.....	11
Handle Assembly.....	13
Engine - Sub Level Assembly	15
Piston / Connecting Rod Assembly	17
Crankcase Cover Assembly	18
Crankshaft Assembly	19
Air Filter Assembly.....	20
Carburetor Assembly	21
Crankcase Assembly.....	22
Fly Wheel Assembly	23
Fuel Tank Assembly.....	24
Muffler Assembly.....	25
Engine Side Assembly.....	27
Cylinder Head Assembly.....	29
Centrifugal Governor Assembly.....	31
Valve Timing Assembly.....	33

Top Level Assembly



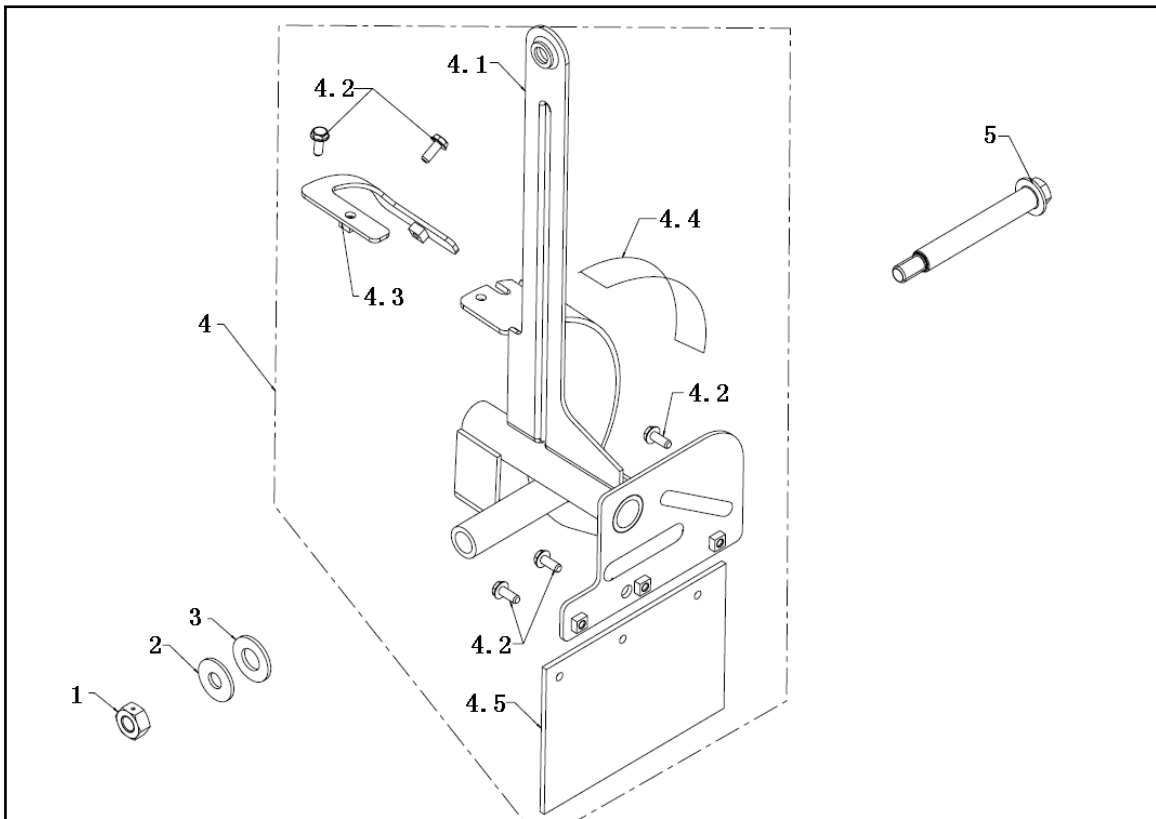
REF. NO.	DESCRIPTION	PART NO.	QTY
1	Engine Top-Level Assembly	See Page 4	1
2	Fixed Rear Wheel Assembly	See Page 7	1
3	Frame Assembly	See Page 6	1
4	Front Wheel Assembly	See Page 9	1
5	Adj. Rear Wheel Assembly	See Page 8	1
6	Quill Arm Assembly	See Page 5	1
7	Blade Arm Assembly	See Page 11	1
8	Handle Assembly	See Page 13	1

Engine - Top Level Assembly



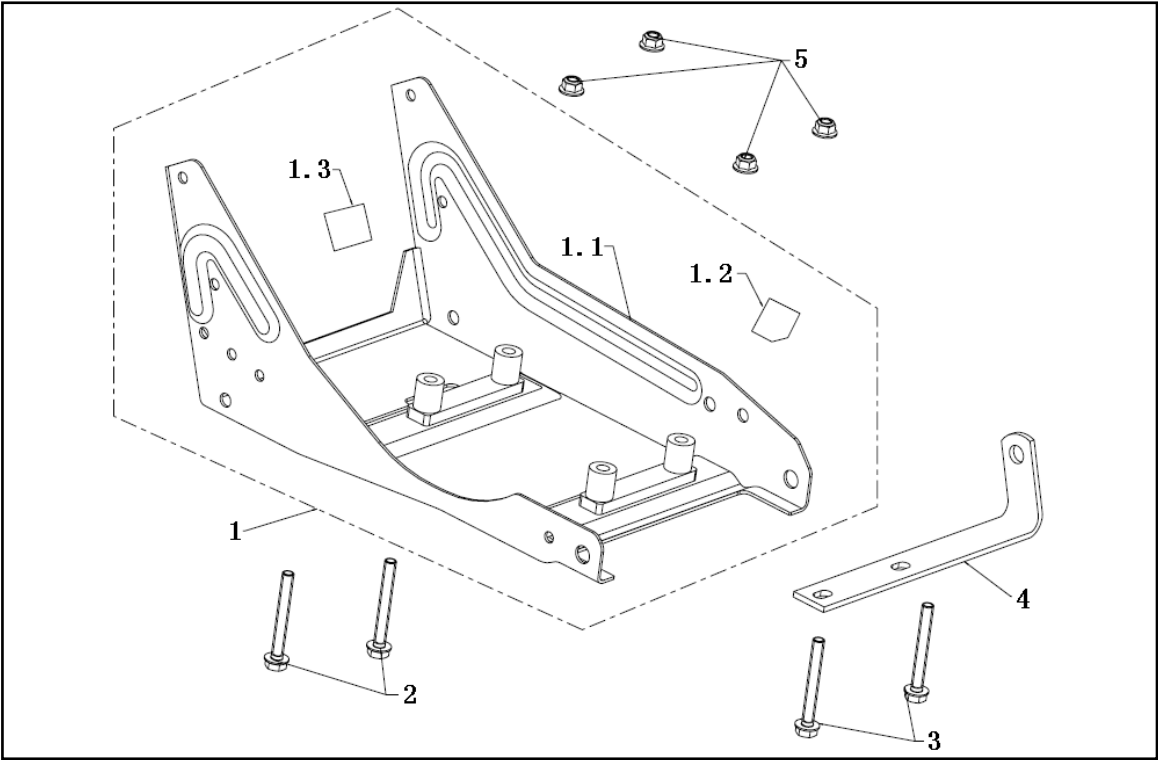
REF. NO.	DESCRIPTION	PART NO.	QTY
1	Bolt, M8X66	A100443	2
2	Cover, Engine Pulley	A100441	1
3	Spacer, Sleeve	A100442	2
4	Bolt, M8*1-20	A100444	1
5	Spring Washer 8	A100445	1
6	Flatwasher	A100446	1
7	Pulley, Half "V"	A100447	2
8	Engine Sub-level Assembly w/ Labels	A101140	1
8.1	Engine Sub-Level Assembly	See Page 15	1
8.2	Oil Hang Tag - Fuel Tank	A101015	1
8.3	Oil Hang Tag - Oil Dipstick	A100979	1

Quill Arm Assembly



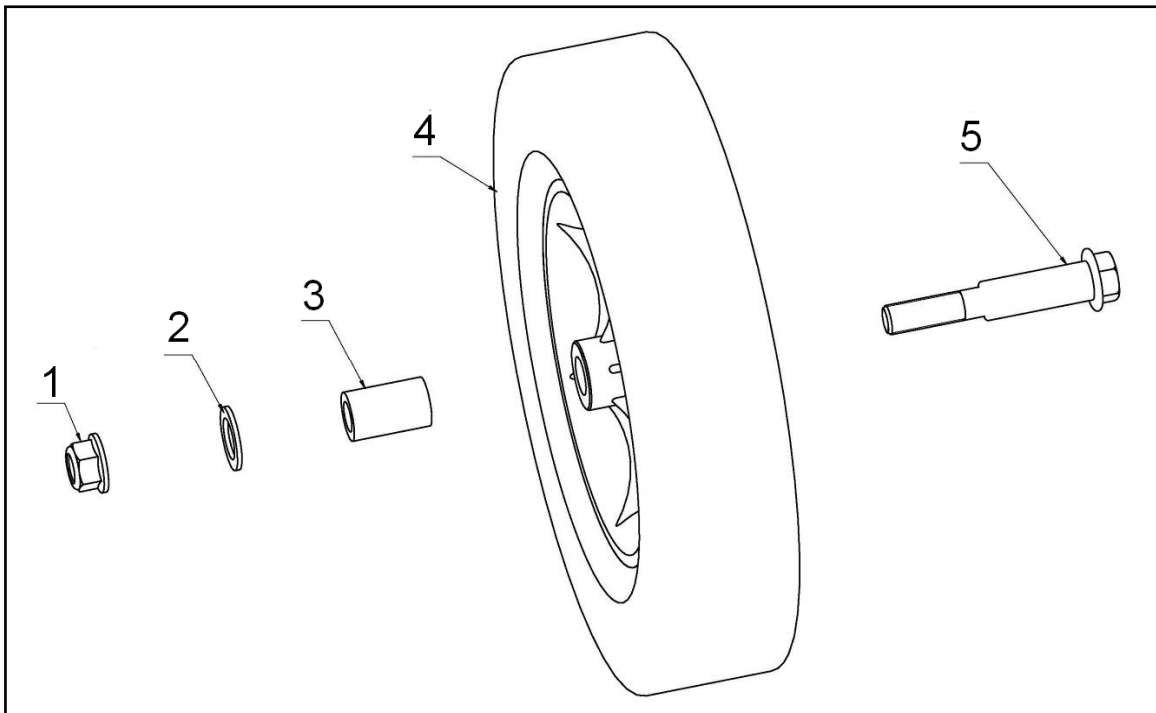
REF. NO.	DESCRIPTION	PART NO.	QTY
1	Lock Nut, M10	A101141	1
2	Flatwasher	A100471	1
3	Flatwasher	A100470	1
4	Quill Support Assembly.	A101118	1
4.1	Quill Support	A101119	1
4.2	Bolt, M5X12	A100472	5
4.3	Bracket, Blade Angle Control	A101120	1
4.4	Label, Blade Angle	A101056	1
4.5	Rubber Deflector	A100468	1
5	Bolt	A101144	1

Frame Assembly



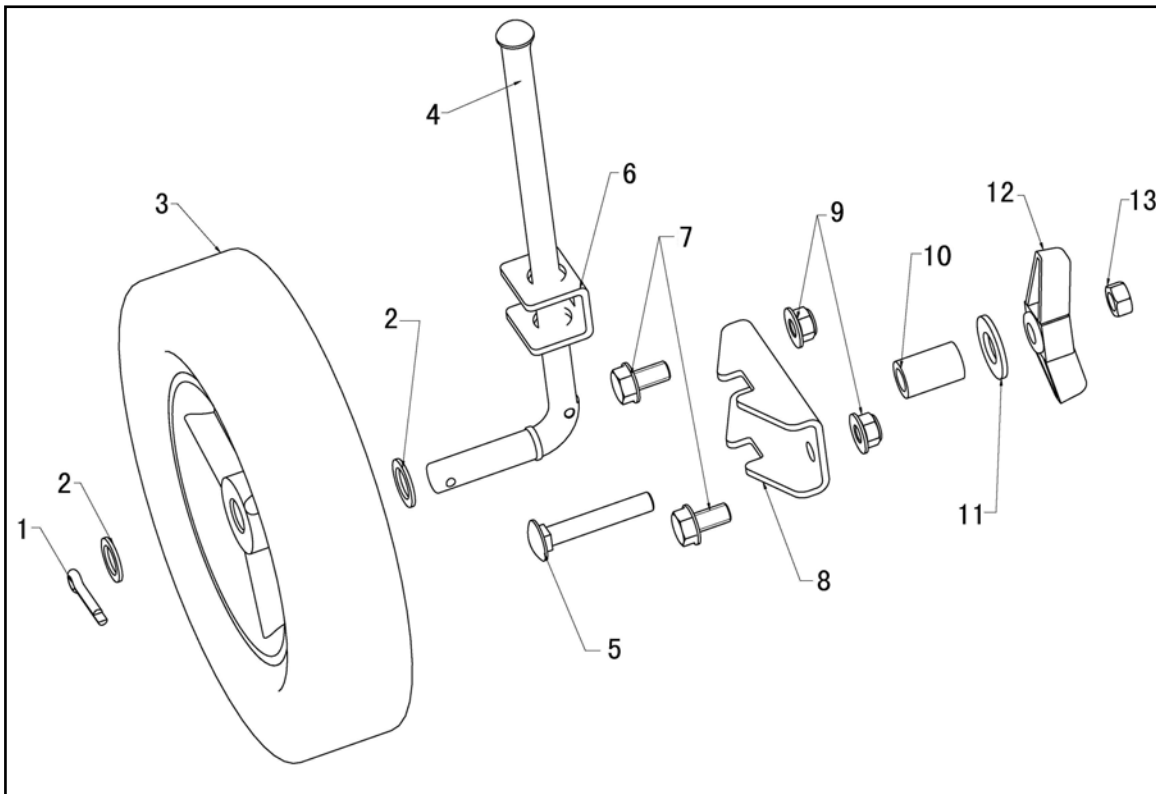
REF. NO.	DESCRIPTION	PART NO.	QTY
1	Frame Sub-Assembly	A101145	1
1.1	Frame	For Reference Only	1
1.2	Label, Oil Fill	A101019	1
1.3	Label, Rear Wheel Adjust	A101146	1
2	Bolt, M8X65	A101147	2
3	Bolt, M8X70	A101148	2
4	Strap	A100469	1
5	Nut, M8	A100450	4

Fixed Rear Wheel Assembly



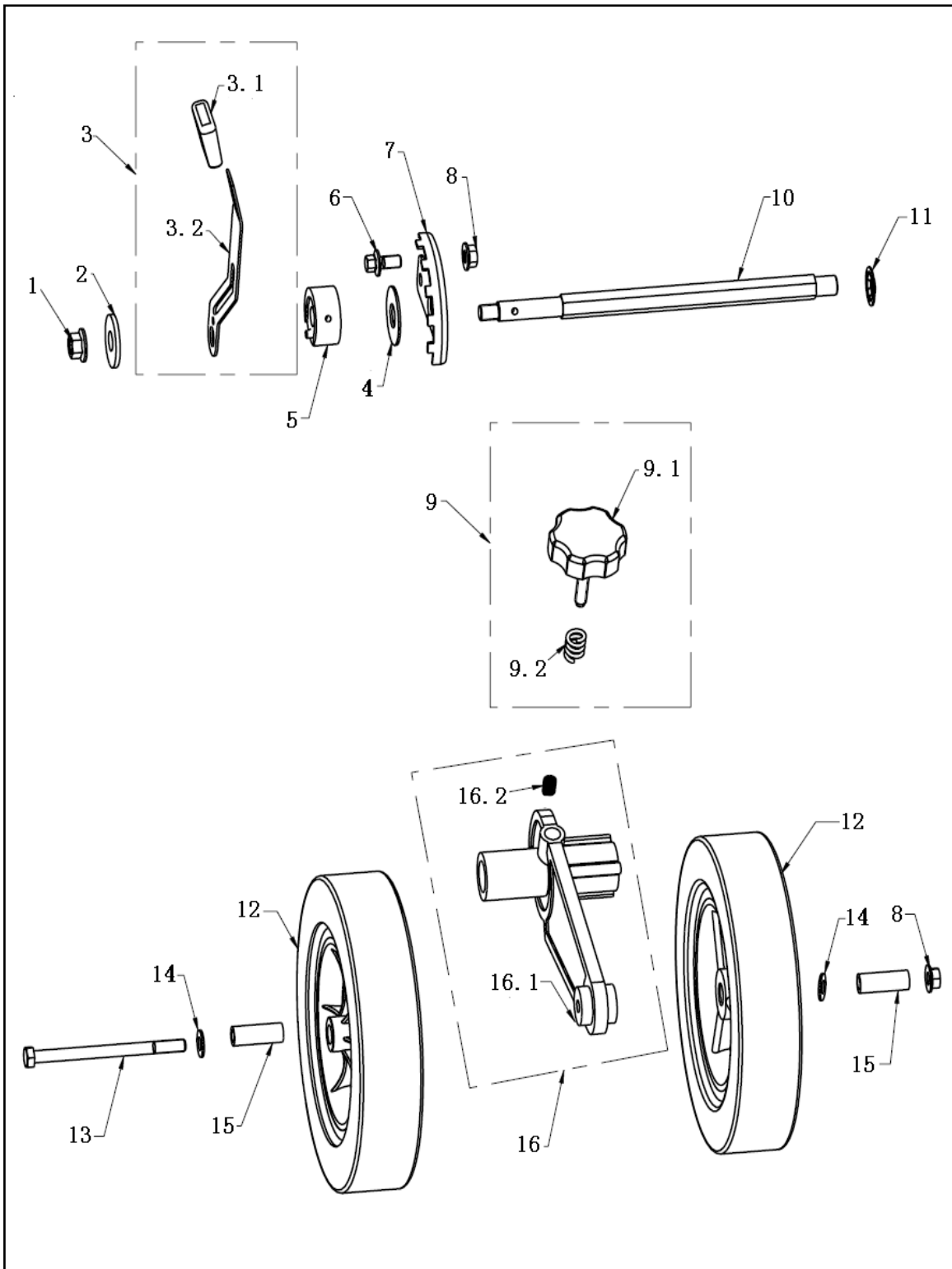
REF. NO.	DESCRIPTION	PART NO.	QTY
1	Nut, M10	A100712	1
2	Flatwasher	A100463	1
3	Spacer, Sleeve	A100464	1
4	Tire & Rim	A100454	1
5	Bolt	A100465	1

Adjustable Rear Wheel Assembly



REF. NO.	DESCRIPTION	PART NO.	QTY
1	Cotter Pin	A100452	1
2	Flatwasher	A100453	2
3	Tire & Rim	A100454	1
4	Rod, Wheel Support	A100455	1
5	Bolt, M8X50	A100457	1
6	Clevis	A100456	1
7	Bolt, M8X16	A100458	2
8	Bracket, Curb Hopping Mounting	A100459	1
9	Nut, M8	A100450	2
10	Spacer, Sleeve	A100460	1
11	Flatwasher	A100477	1
12	Knob, Wing, M8	A101111	1
13	Nut, M8	A100710	1

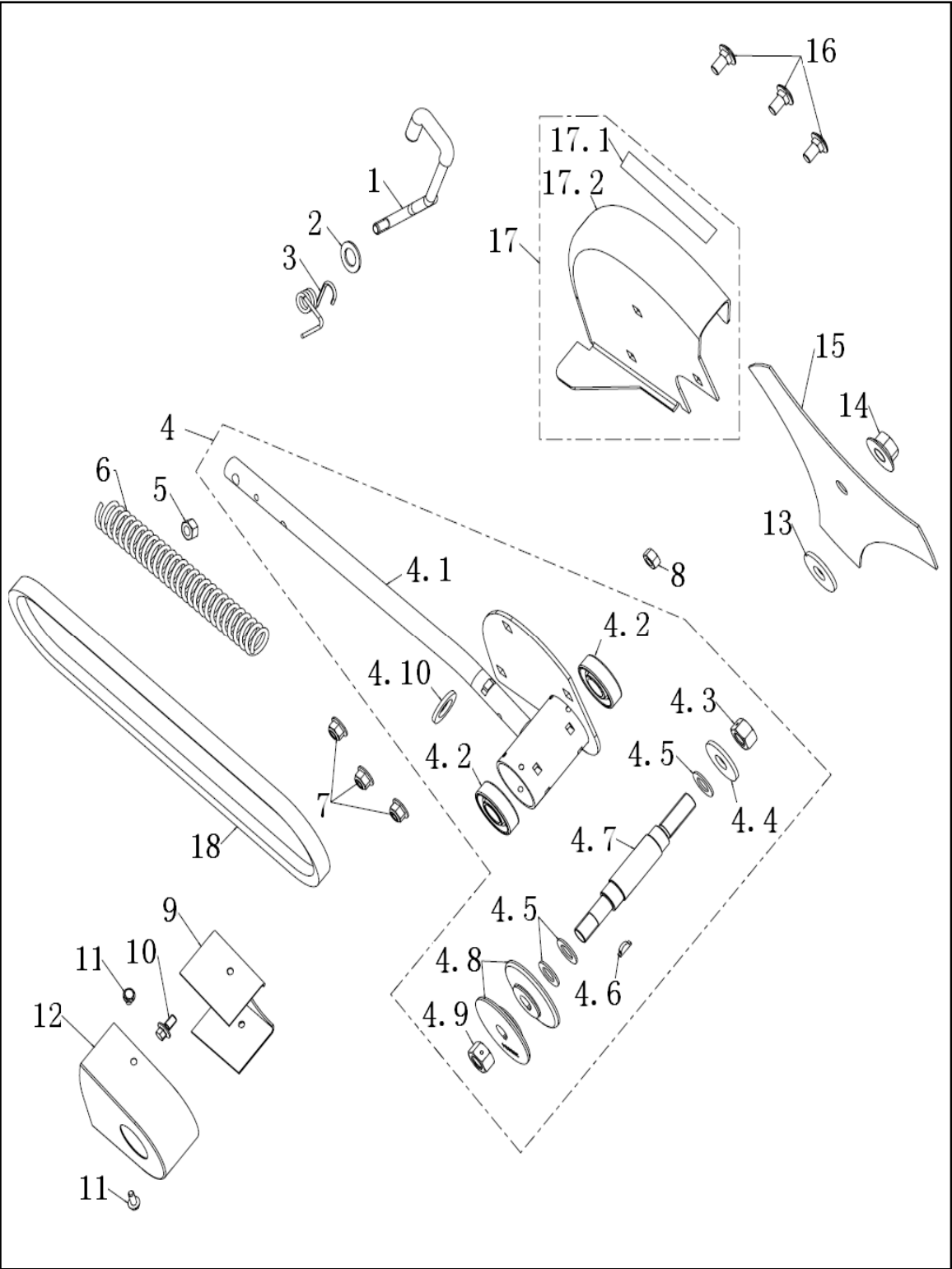
Front Wheel Assembly



Front Wheel Assembly

REF. NO.	DESCRIPTION	PART NO.	QTY
1	Nut, M10X1.25	A100708	1
2	Flatwasher	A100502	1
3	Lever Assembly, Height Adjust	A101112	1
3.1	Knob, Rectangle	A101113	1
3.2	Lever, Height Adjust	For Reference Only	1
4	Plastic Washer	A100486	1
5	Spacer, Height Adjust	A101024	1
6	Bolt, M8X16	A100458	1
7	Plate, Height Adjust	A101114	1
8	Nut, M8	A100450	2
9	Knob Assembly, Lateral Adjust	A101115	1
9.1	Knob, Molded	For Reference Only	1
9.2	Spring	A101028	1
10	Shaft, Curb Hopping	A101029	1
11	Push Nut, Washer	A100473	1
12	Tire & Rim	A100454	2
13	Bolt, M8X110	A101149	1
14	Flatwasher	A100477	2
15	Spacer, Sleeve	A100479	2
16	Front Wheel Arm Assembly.	A101117	1
16.1	Front Wheel Arm	For Reference Only	1
16.2	Insert, ST8X1.25	A100788	1

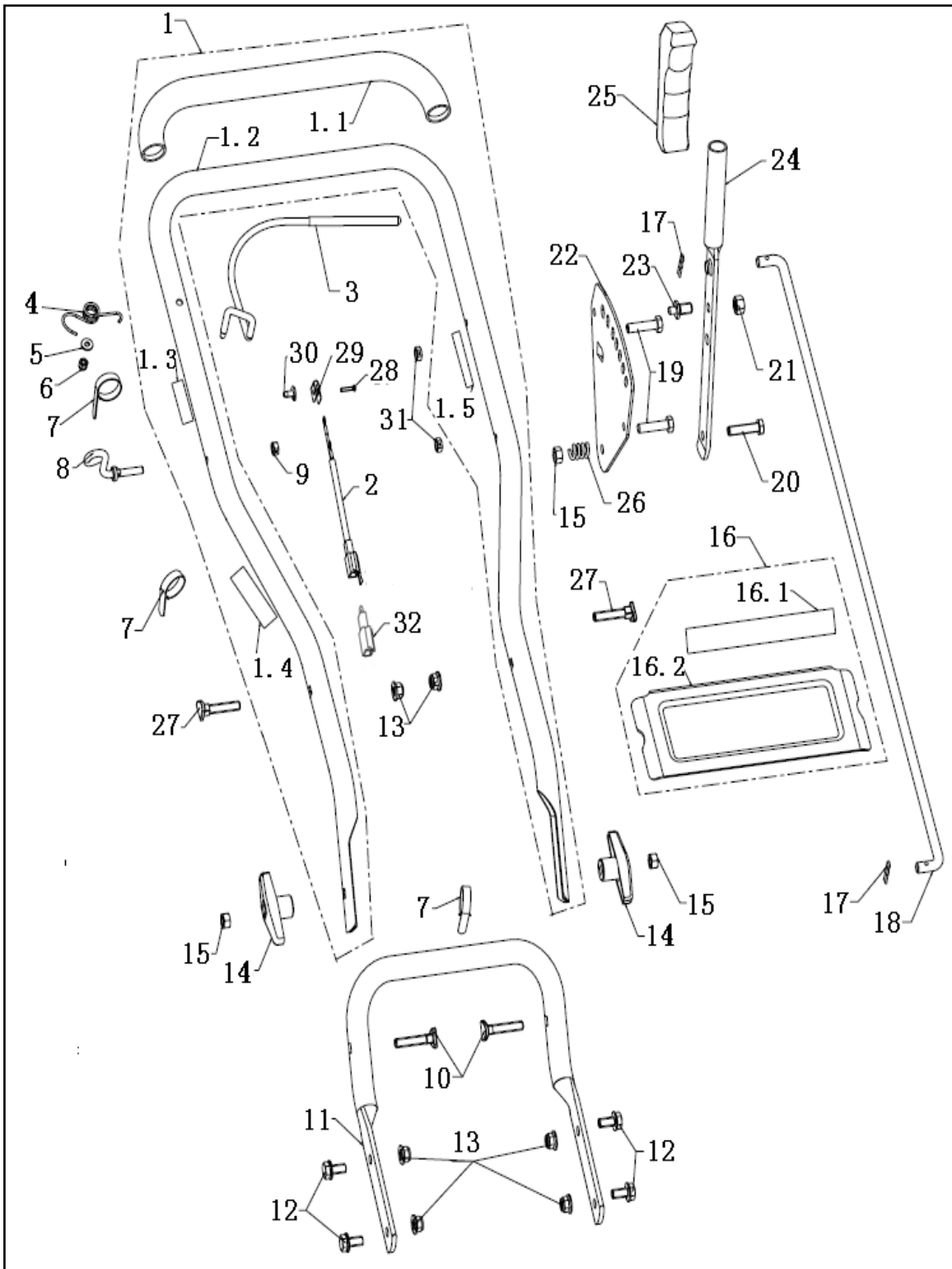
Blade Arm Assembly



Blade Arm Assembly

REF. NO.	DESCRIPTION	PART NO.	QTY
1	Index Lever	A101121	1
2	Flatwasher	A100477	1
3	Spring, Torsion	A100510	1
4	Drive Shaft Assembly	A100987	1
4.1	Blade Arm	A100988	1
4.2	Bearing, 6203-2RS	A100498	2
4.3	Nut, M12X1.25	A100496	1
4.4	Flatwasher	A100502	1
4.5	Flatwasher	A100497	3
4.6	Key	A100499	1
4.7	Drive Shaft	A100500	1
4.8	Pulley, Half "V"	A100601	2
4.9	Nut, M12X1.25	A100492	1
4.10	Washer	A101151	1
5	Nut, M8	A100710	1
6	Spring	A100507	1
7	Nut, M8	A100450	3
8	Nut, M6	A100791	1
9	Guide, Belt	A101122	1
10	Bolt, M6X25	A100495	1
11	Bolt, M5X12	A100472	2
12	Cover, Quill Pulley	A100491	1
13	Flatwasher	A100502	1
14	Nut, M12X1.25	A100704	1
15	Blade, Edger	A100503	1
16	Bolt, Carriage	A100504	3
17	Blade Guard, Assembly	A101124	1
17.1	Label, Blade Danger	A100993	1
17.2	Blade Guard	For Reference Only	1
18	Belt	A101152	1

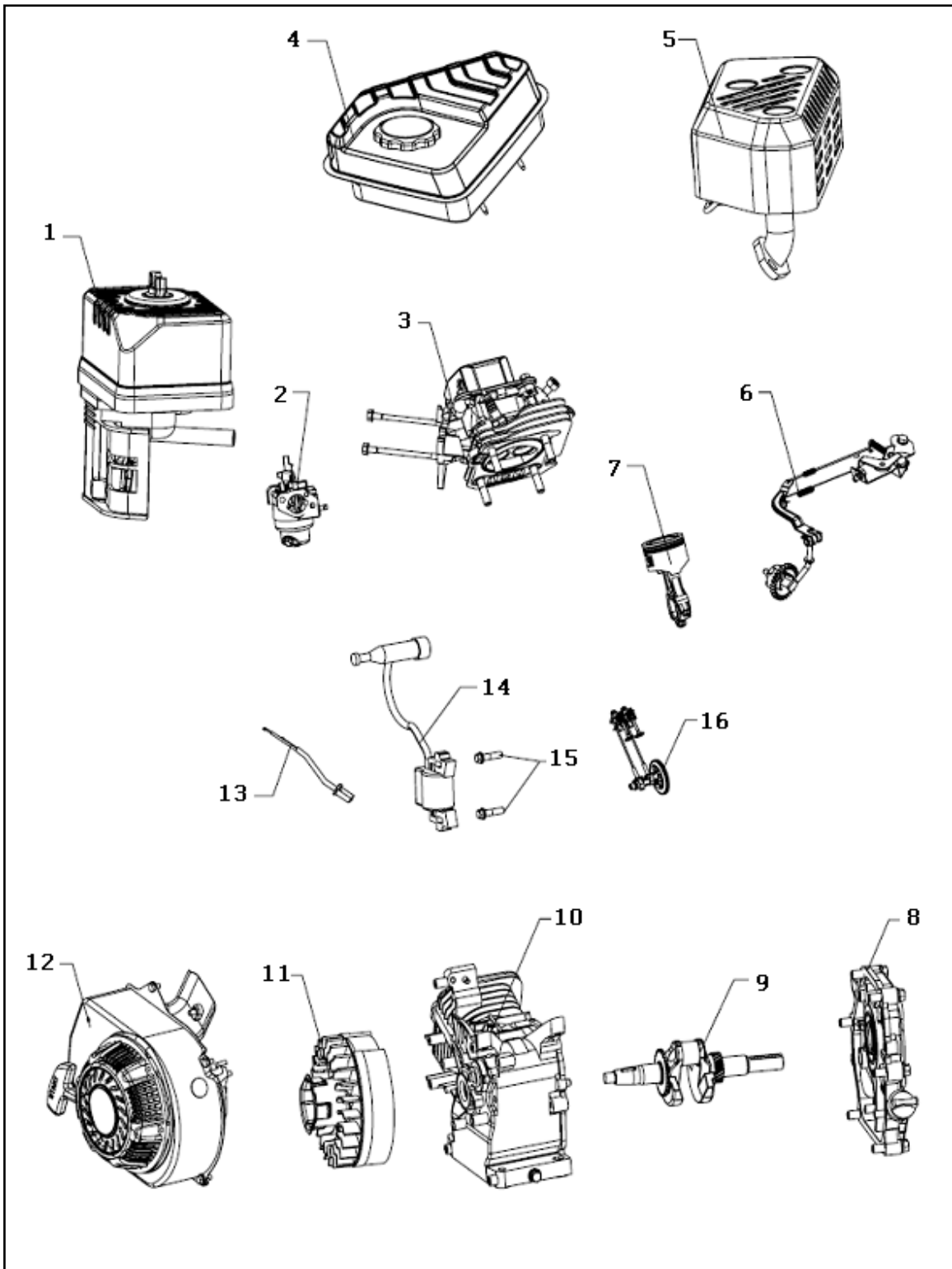
Handle Assembly



Handle Assembly

REF. NO.	DESCRIPTION	PART NO.	QTY
1	Upper Handle Assembly	A101373	1
1.1	Tubing, Foam	A100511	1
1.2	Upper Handle	For Reference Only	1
1.3	Label, Start/Stop	A101034	1
1.4	Label, Wire Warning	A101035	1
1.5	Label, Cutting Depth	A101036	1
2	Flameout Wire	A101051	1
3	Start Lever	A101041	1
4	Torsion Spring	A100513	1
5	Flatwasher	A100793	1
6	Nut, M5	A100517	1
7	Cable Tie	A100522	3
8	Guide, Rope	A100521	1
9	Nut, 1/4-20	A100707	1
10	Bolt	A100523	2
11	Lower Handle	A101042	1
12	Bolt, M8X16	A100458	4
13	Nut, M8	A100450	6
14	Knob, Wing	A101125	2
15	Nut, M8	A100710	3
16	Nameplate Assembly	A101044	1
16.1	Label, Warning	A101045	1
16.2	Nameplate	For Reference Only	1
17	Hair Pin	A100533	2
18	Control Rod	A100534	1
19	Bolt, M6X32	A100528	2
20	Bolt, M8X30	A100709	1
21	Nut, M10	A100712	1
22	Depth Selector Plate	A101153	1
23	Stud	A100530	1
24	Depth Adjust Lever	A101048	1
25	Grip, Depth Lever	A101049	1
26	Spring, Compression	A100527	1
27	Bolt	A101050	2
28	Screw, ST3.5X12.7	A100518	1
29	Clip, Grounding	A100519	1
30	Insulator, Operator Control	A100516	1
31	Nut, M6	A100791	2
32	Grounding Terminal	A101037	1

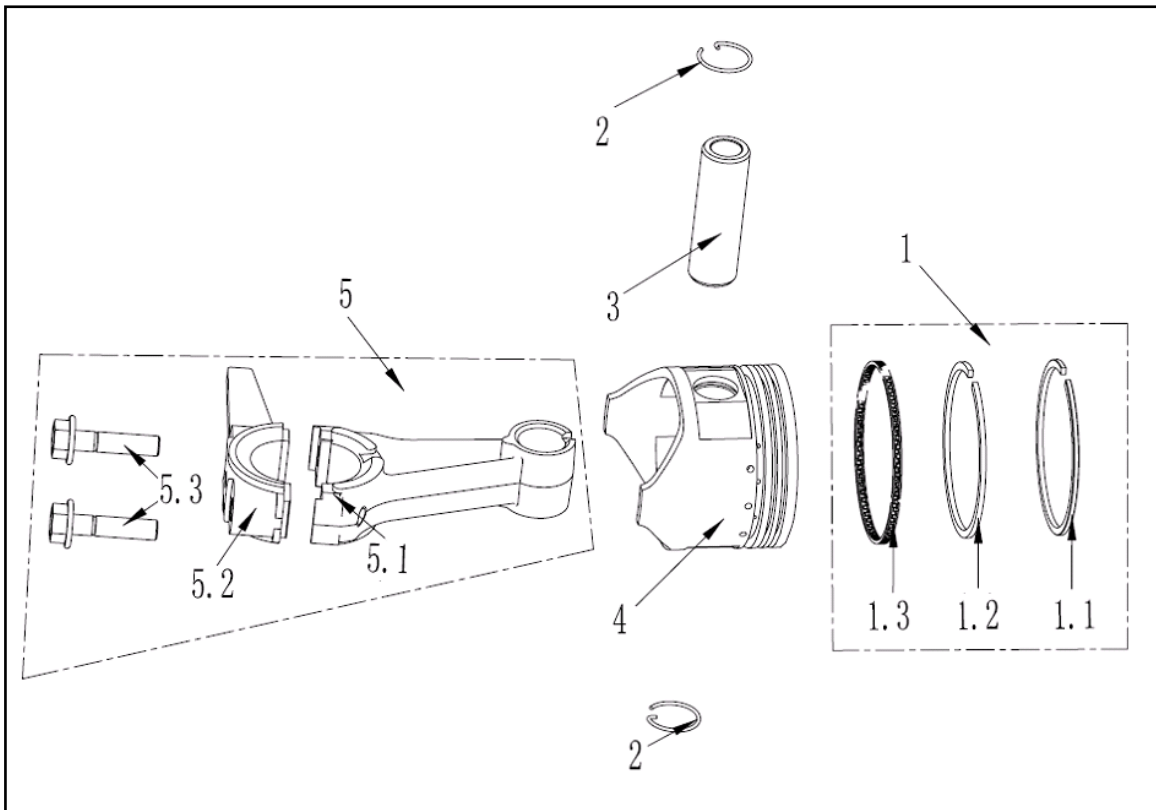
Engine - Sub Level Assembly



Engine – Sub Level Assembly

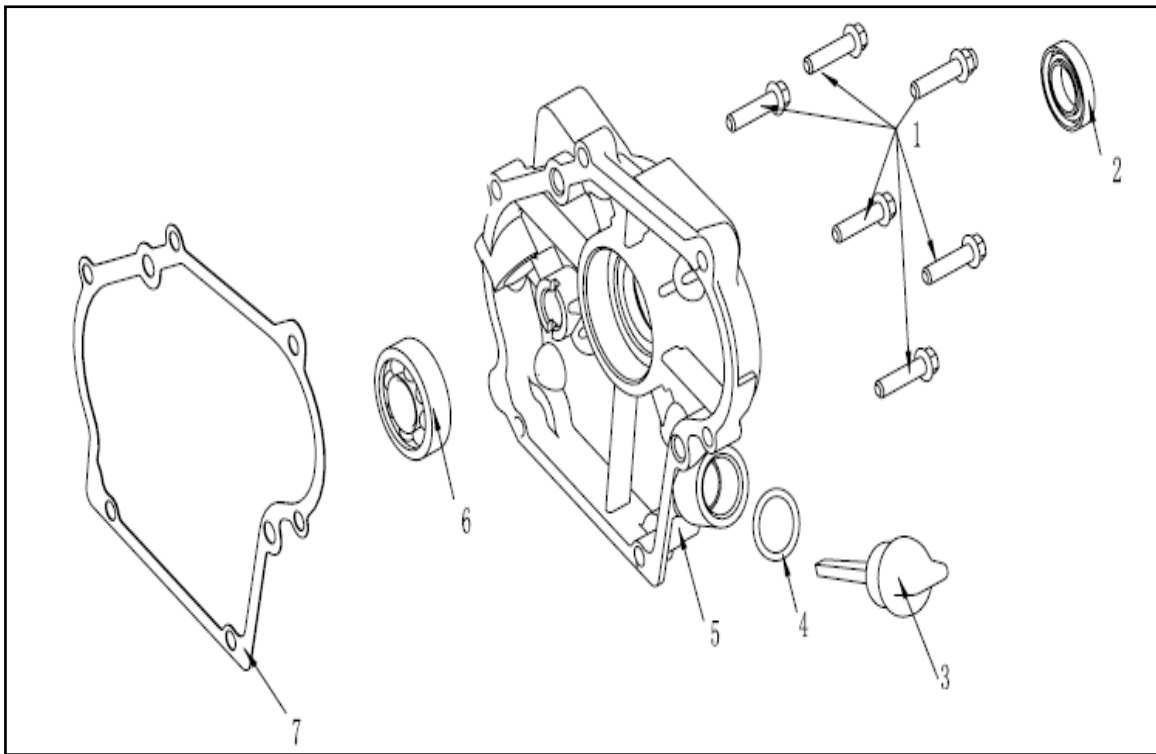
REF. NO.	DESCRIPTION	PART NO.	QTY
1	Air Filter Assembly	See Page 20	1
2	Carburetor Assembly	See Page 21	1
3	Cylinder Head Assembly	See Page 29	1
4	Fuel Tank Assembly	See Page 24	1
5	Muffler Assembly	See Page 25	1
6	Centrifugal Governor Assembly	See Page 31	1
7	Piston & Connecting Rod Assembly	See Page 17	1
8	Crankcase Cover Assembly	See Page 18	1
9	Crankshaft Assembly	See Page 19	1
10	Crankcase Assembly	See Page 22	1
11	Fly Wheel Assembly	See Page 23	1
12	Engine Side Assembly	See Page 27	1
13	Grounded Fire Assembly	A101154	1
14	Ignition Coil	A101155	1
15	Bolt	A101156	2
16	Valve Timing Assembly	See Page 33	1

Piston / Connecting Rod Assembly



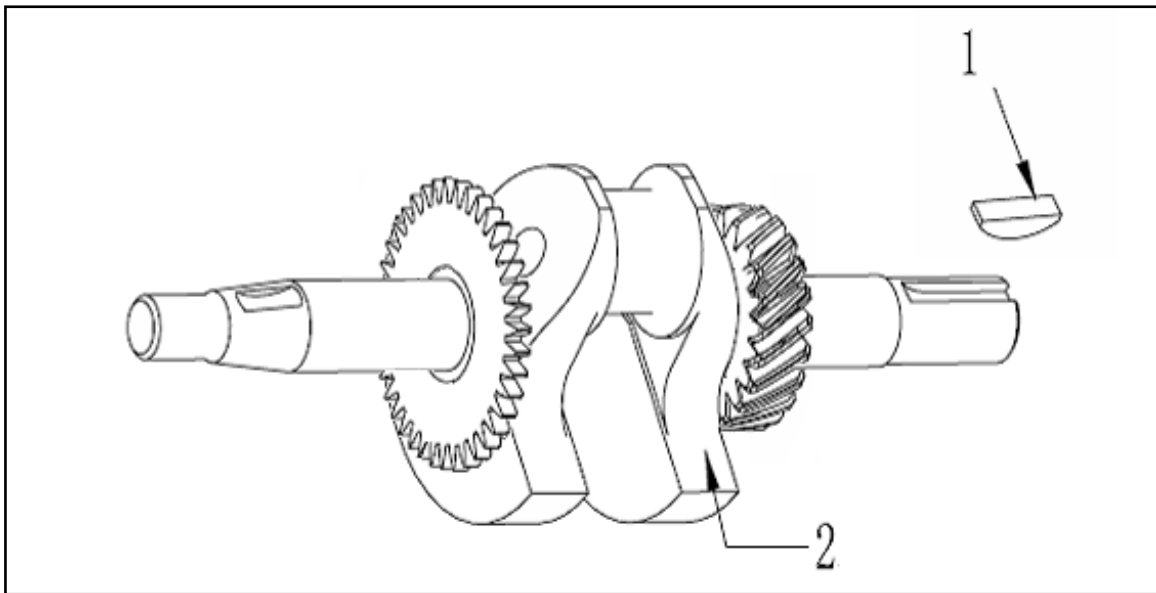
REF. NO.	DESCRIPTION	PART NO.	QTY
1	Piston Ring Assembly	A101157	1
1.1	Ring, First	For Reference Only	1
1.2	Ring, Second	For Reference Only	1
1.3	Oil Ring	For Reference Only	1
2	Circlip, Piston Pin	A101158	2
3	Pin, Piston	A101159	1
4	Piston	A101160	1
5	Connecting Rod Assembly	A101161	1
5.1	Connecting Rod Body	For Reference Only	1
5.2	Connecting Rod Cover	For Reference Only	1
5.3	Connecting Rod Bolt	For Reference Only	2

Crankcase Cover Assembly



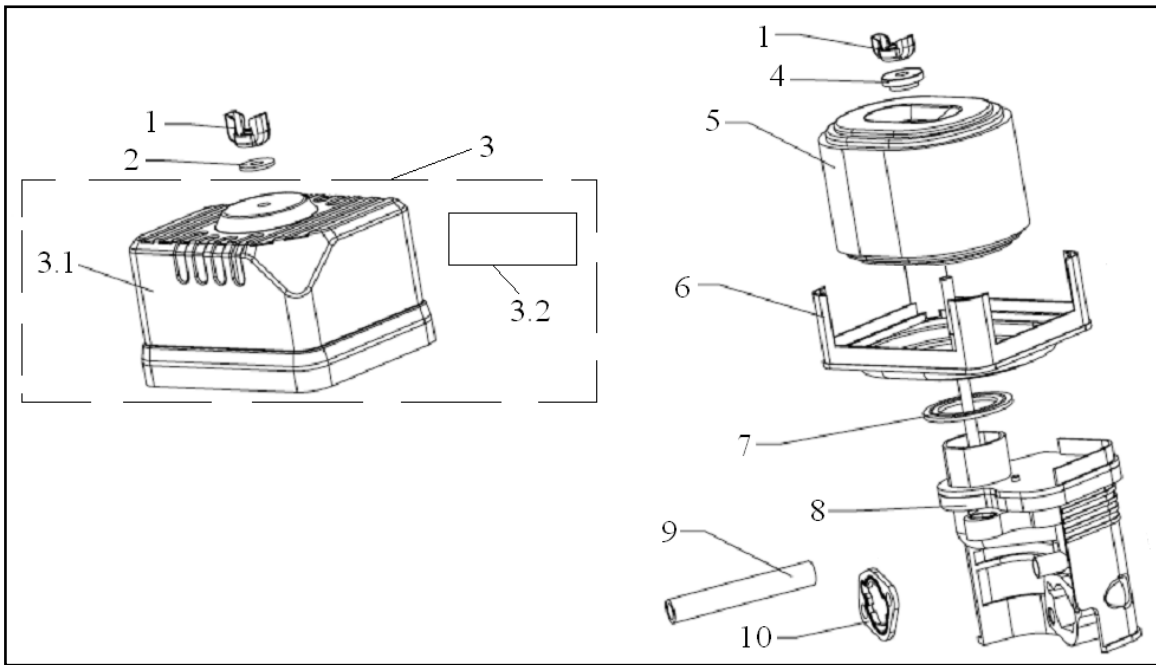
REF. NO.	DESCRIPTION	PART NO.	QTY
1	Bolt	A101162	6
2	Oil Seal	A100675	1
3	Dipstick	A101163	1
4	Oil Seal, Dipstick	A101164	1
5	Cover, Crankcase	A101165	1
6	Bearing	A101137	1
7	Gasket, Crankcase	A101166	1

Crankshaft Assembly



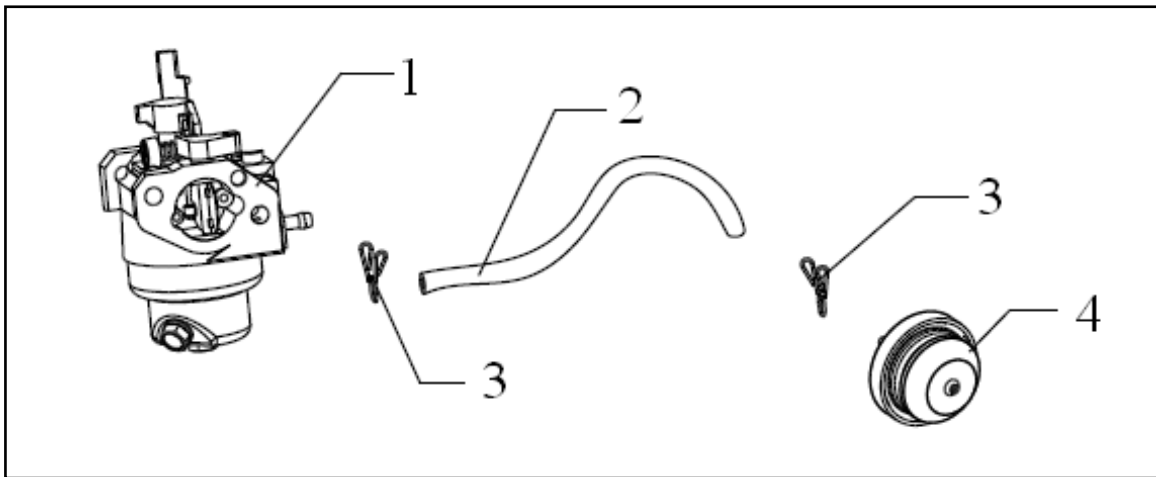
REF. NO.	DESCRIPTION	PART NO.	QTY
1	Semicircular Key	A100688	1
2	Crankshaft	A101167	1

Air Filter Assembly



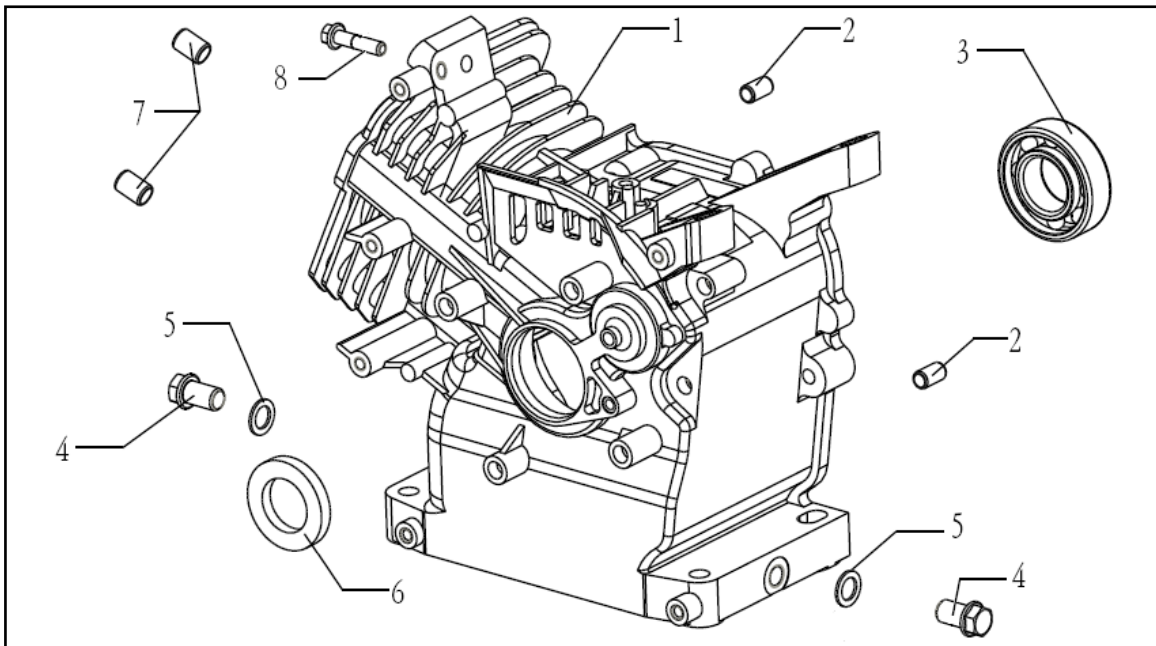
REF. NO.	DESCRIPTION	PART NO.	QTY
1	Wingnut	A101168	2
2	Washer	A101169	1
3	Air Filter Cover Assembly	A101170	1
3.1	Air Filter Cover	For Reference Only	1
3.2	Label, Air Cleaner Maintenance	A101097	1
4	Seal Spacer	A101171	1
5	Air Cleaner Element	A101172	1
6	Air Cleaner Housing	A101173	1
7	Seal Spacer	A101174	1
8	Air Cleaner Body	A101176	1
9	Breather Tube	A101177	1
10	Spacer	A101178	1

Carburetor Assembly



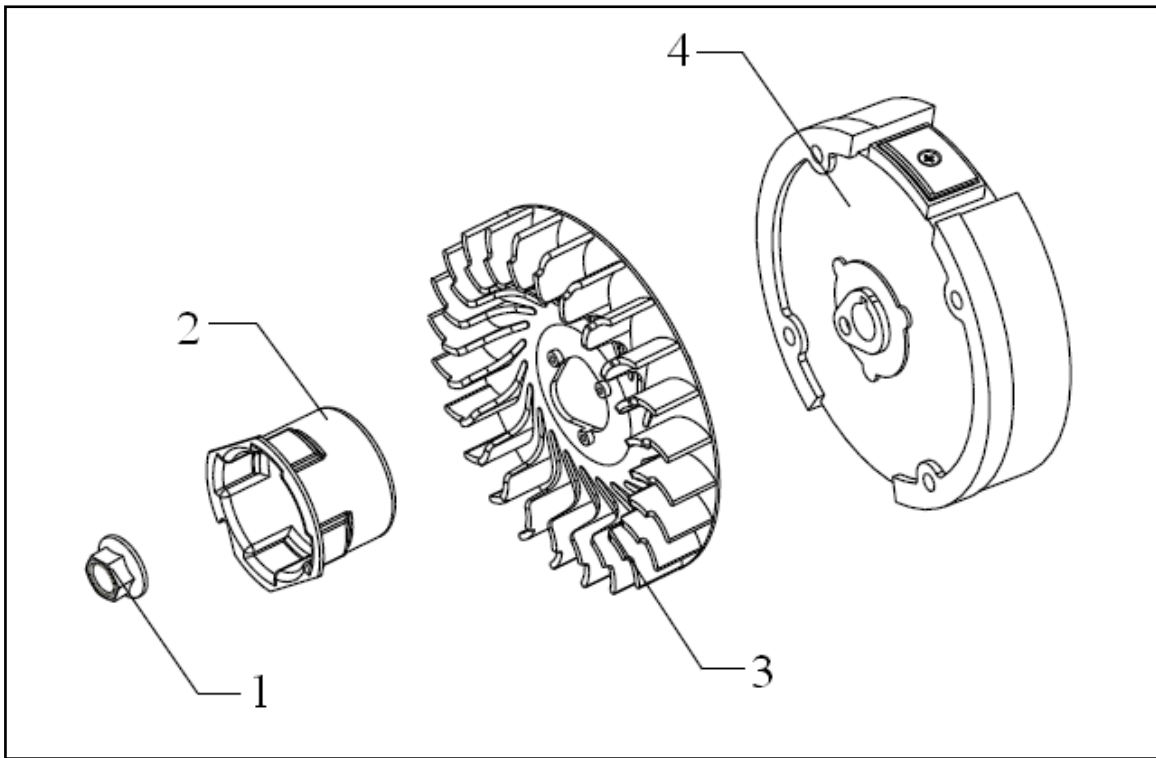
REF. NO.	DESCRIPTION	PART NO.	QTY
1	Carburetor	A101179	1
2	Fuel Line	A101180	1
3	Clamp, Fuel Line, \varnothing 6.5	A100677	2
4	Primer Bulb	A101096	1

Crankcase Assembly



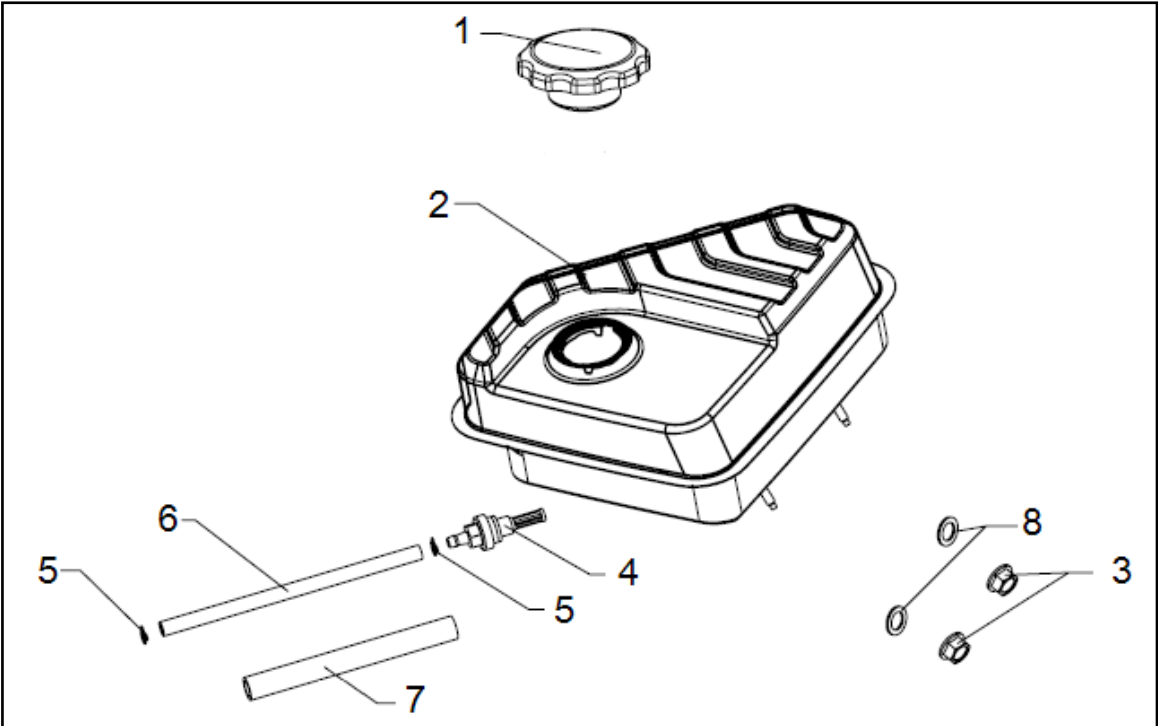
REF. NO.	DESCRIPTION	PART NO.	QTY
1	Crankcase Body	A101181	1
2	Guide Dowel	A101182	2
3	Bearing	A101137	1
4	Drain Plug	A101183	2
5	Washer, Drain Plug	A100721	2
6	Oil Seal	A100675	1
7	Guide Dowel	A101184	2
8	Bolt	A101185	1

Fly Wheel Assembly



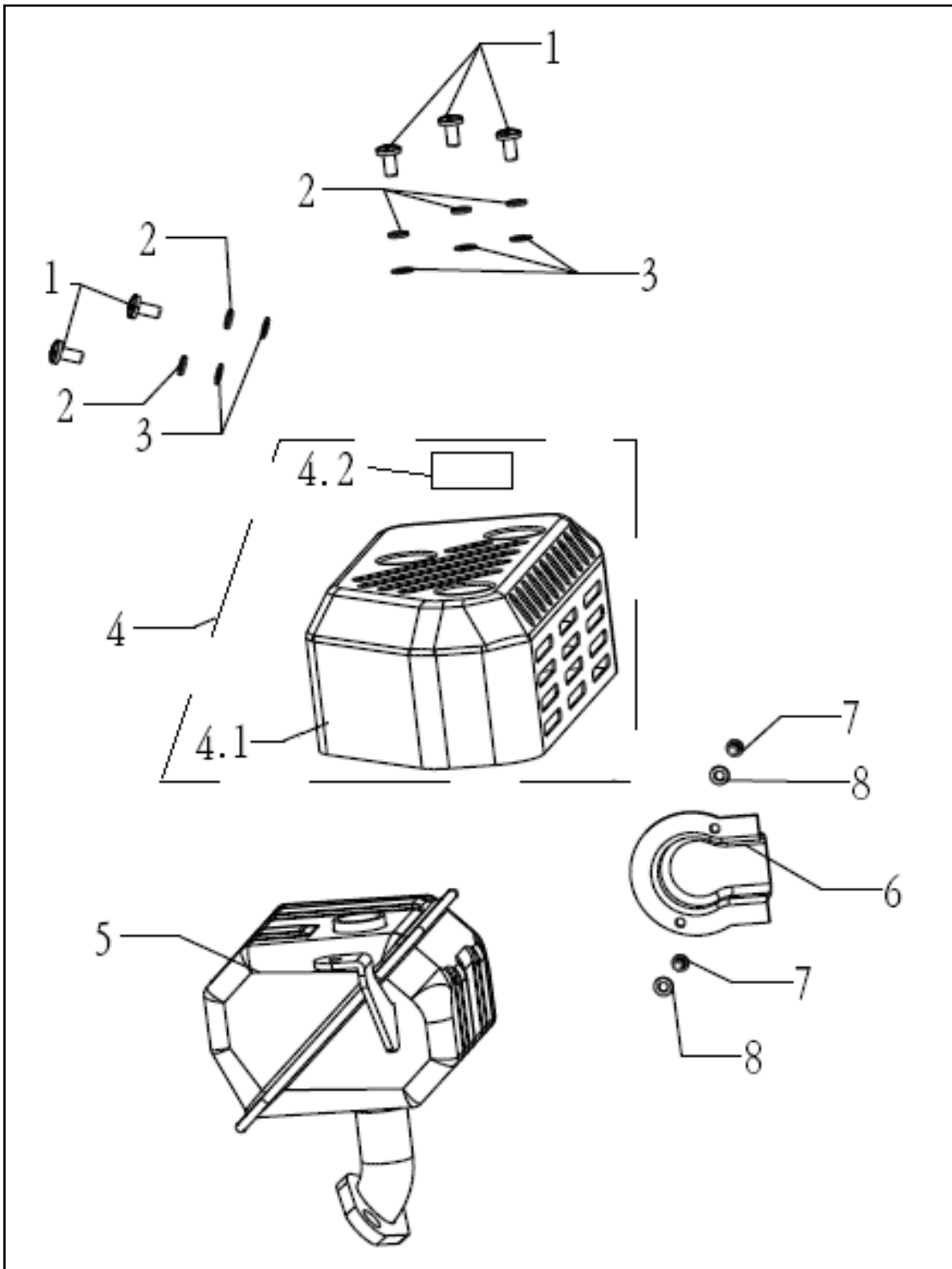
REF. NO.	DESCRIPTION	PART NO.	QTY
1	Nut, Clamp	A101186	1
2	Start-Up Ratchet Gear	A200093	1
3	Fan Wheel	A101187	1
4	Flying Wheel	A101188	1

Fuel Tank Assembly



REF. NO.	DESCRIPTION	PART NO.	QTY
1	Fuel Tank Cap	A100622	1
2	Fuel Tank	A101190	1
3	Nut	A101139	2
4	Fuel Line Fitting / Filter	A101191	1
5	Clamp, Fuel Line	A101192	2
6	Fuel Line	A101193	1
7	Sleeve, Protecting	A101194	1
8	Washer, Shock Absorbing	A101195	2

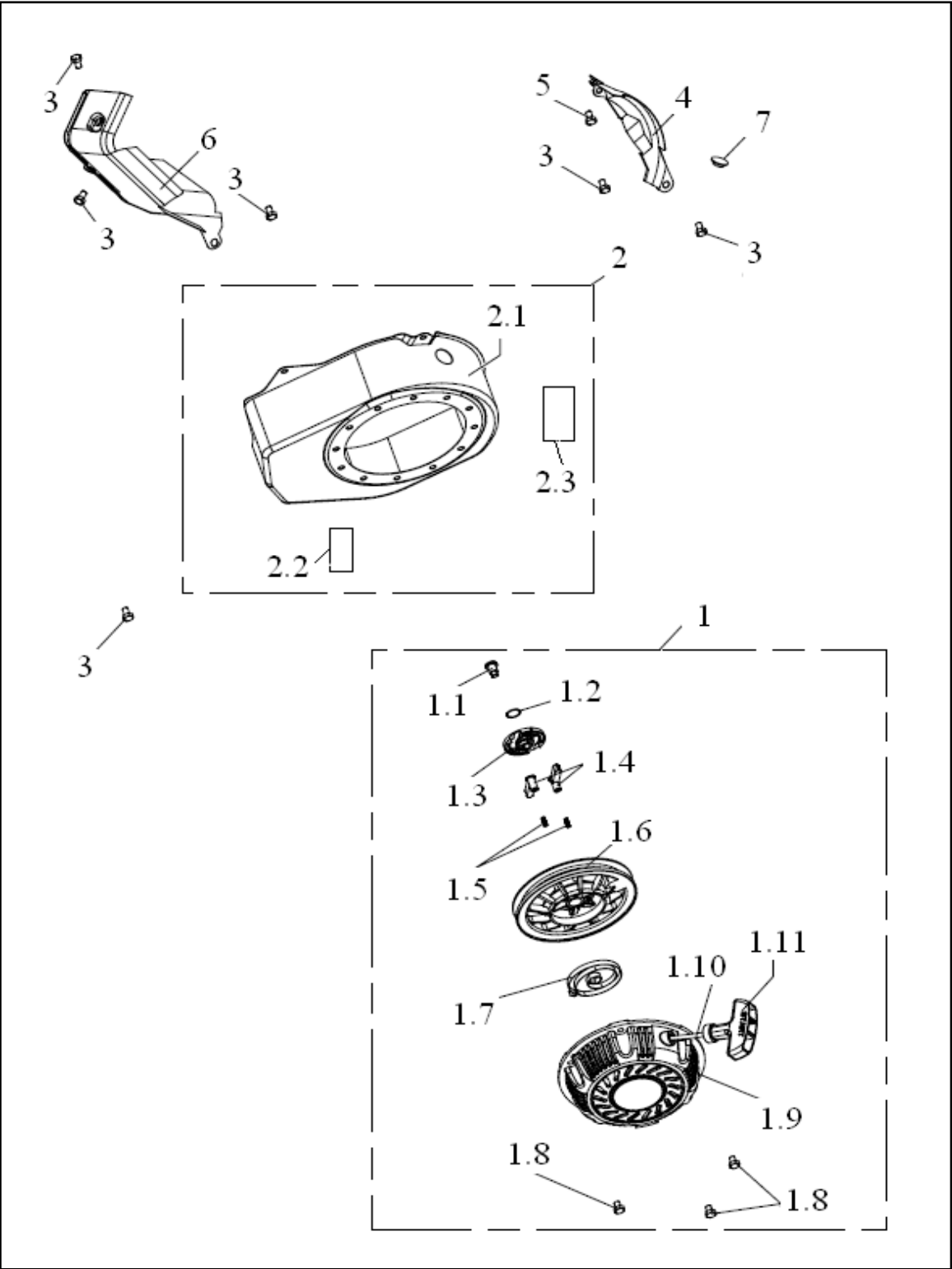
Muffler Assembly



Muffler Assembly

REF. NO.	DESCRIPTION	PART NO.	QTY
1	Bolt	A101196	5
2	Spring Washer	A101197	5
3	Washer	A101198	5
4	Muffler Cover Assembly	A101199	1
4.1	Muffler Cover	For Reference Only	1
4.2	Label, Hot Surface	A100978	1
5	Muffler	A101200	1
6	Redirector, Exhaust	A101201	1
7	Bolt	A101202	2
8	Washer	A101203	2

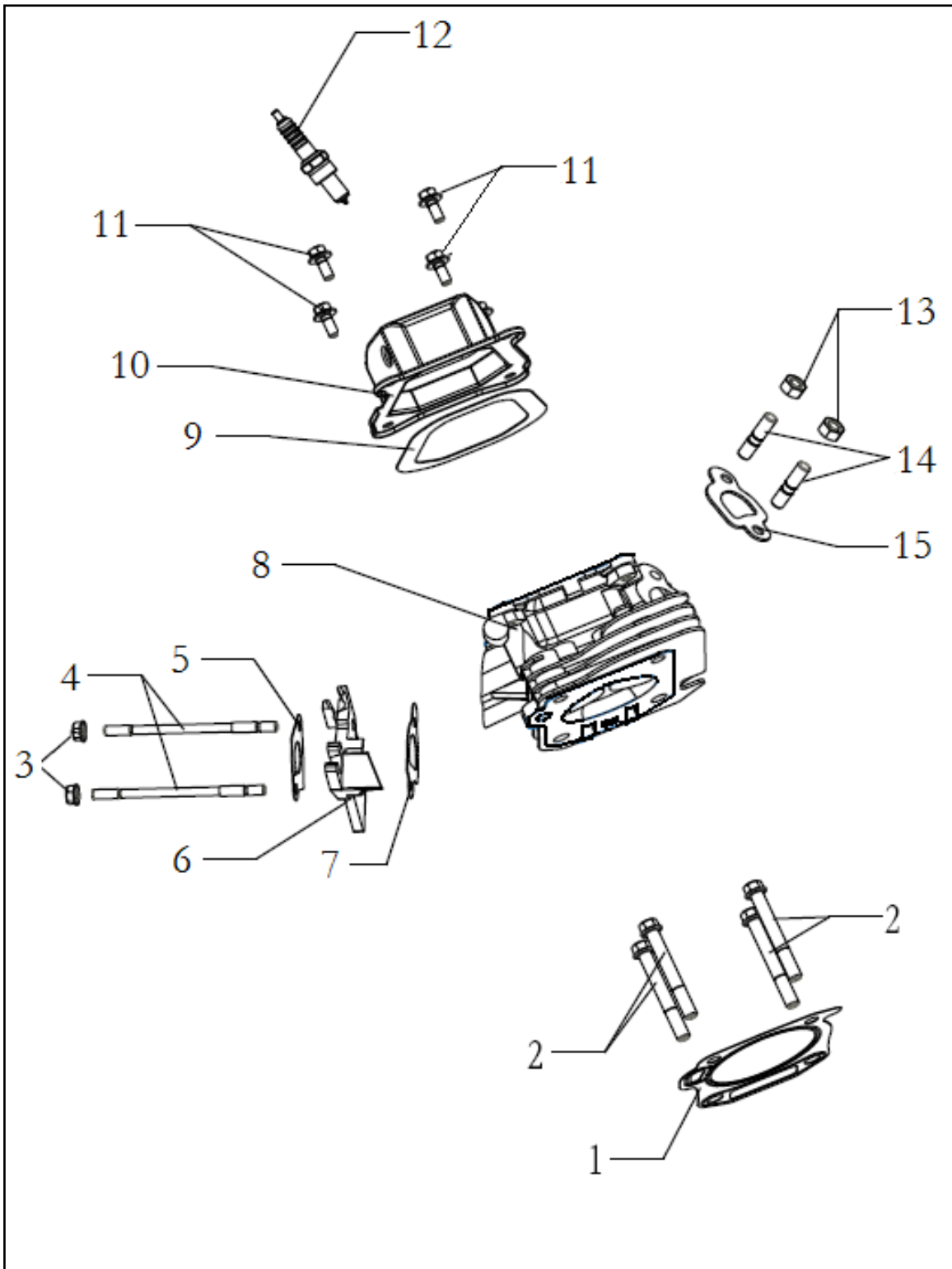
Engine Side Assembly



Engine Side Assembly

REF. NO.	DESCRIPTION	PART NO.	QTY
1	Starter Assembly	A101204	1
1.1	Screw	A100689	1
1.2	Circlip	A101205	1
1.3	Guide Pan	A100690	1
1.4	Ratchet	A100691	2
1.5	Compression Spring	A100692	2
1.6	Spool	A101206	1
1.7	Wind Spring	A101207	1
1.8	Bolt	A101208	3
1.9	Starter Cover	A101209	1
1.10	Starter Rope	A101210	1
1.11	Handle, Recoil Starter	A100980	1
2	Engine Side Cover Assembly	A101211	1
2.1	Engine Side Cover	For Reference Only	1
2.2	Label, Primer	A101212	1
2.3	Label, EPA	A101213	1
3	Bolt	A101214	6
4	Shield 1	A101215	1
5	Bolt	A101138	1
6	Shield 2	A101216	1
7	Plug	A101217	1

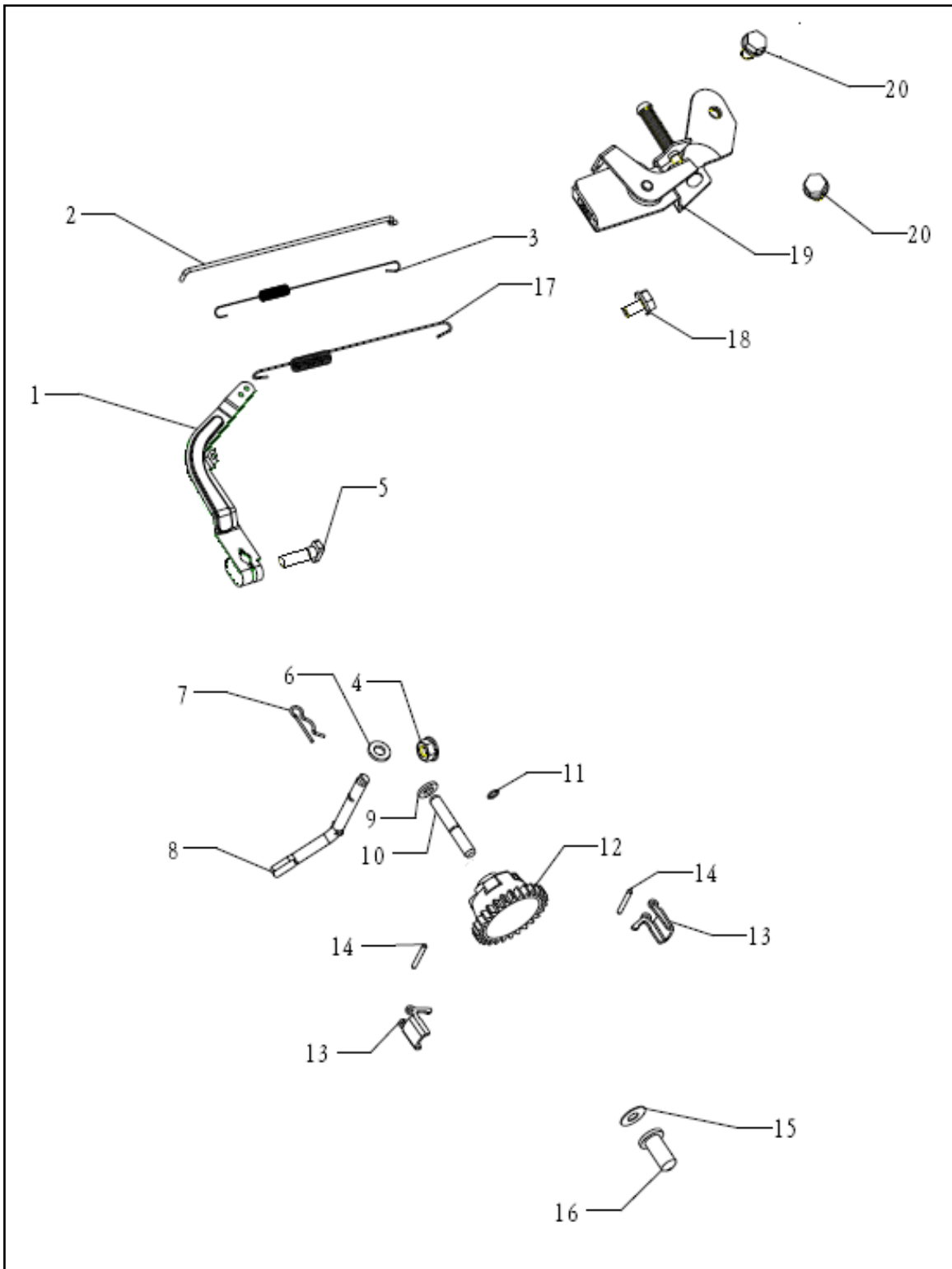
Cylinder Head Assembly



Cylinder Head Assembly

REF. NO.	DESCRIPTION	PART NO.	QTY
1	Gasket, Cylinder Head	A101218	1
2	Bolt, Cylinder Head	A101219	4
3	Nut	A101139	2
4	Double End Stud	A101225	2
5	Gasket, Intake 1	A101226	1
6	Spacer, Heat Insulating	A101227	1
7	Gasket, Intake 2	A101228	1
8	Cylinder Head	A101229	1
9	Gasket, Cylinder Head Cover	A101230	1
10	Cylinder Head Cover	A101231	1
11	Bolt	A101138	4
12	Spark Plug	A101232	1
13	Nut	A101233	2
14	Double End Stud	A100735	2
15	Gasket, Exhaust	A101234	1

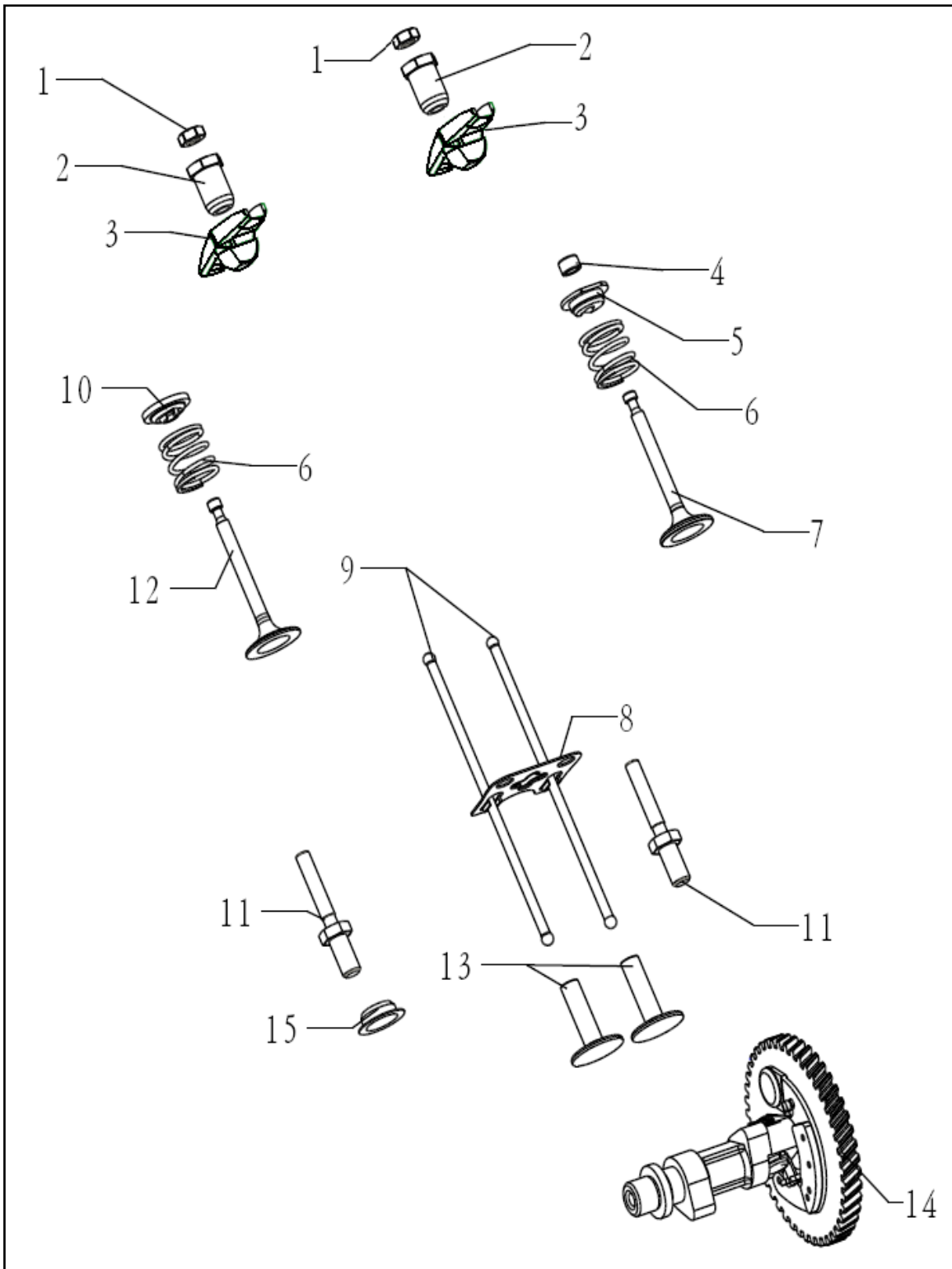
Centrifugal Governor Assembly



Centrifugal Governor Assembly

REF. NO.	DESCRIPTION	PART NO.	QTY
1	Arm	A101235	1
2	Rod, Tension	A101236	1
3	Spring 2, Tension	A101237	1
4	Nut	A101139	1
5	Bolt, Square	A101238	1
6	Spacer 2	A101239	1
7	Hair Pin	A100636	1
8	Governor Crank	A101240	1
9	Spacer 1	A101241	1
10	Pin	A100728	1
11	Snap Spring	A100729	1
12	Body, Centrifugal Governer	A101242	1
13	Pawl	A101243	2
14	Pin	A101244	2
15	Spacer 3	A100771	1
16	Cover, Push Rod	A101245	1
17	Spring 1, Tension	A101246	1
18	Bolt	A101247	1
19	RPM Adjustment Mechanism	A101248	1
20	Bolt	A101249	2

Valve Timing Assembly



Valve Timing Assembly

REF. NO.	DESCRIPTION	PART NO.	QTY
1	Nut, Valve Clearance Adjustment	A101250	2
2	Spacer, Arm	A101251	2
3	Arm	A101252	2
4	Cap, Exhaust Rod	A101253	1
5	Upper Retainer, Exhaust Valve Spring	A101254	1
6	Spring, Valve	A101255	2
7	Valve, Exhaust	A101256	1
8	Guide Plate, Connecting Stud	A101257	1
9	Rod, Connecting	A101142	2
10	Upper Retainer, Intake Valve Spring	A101143	1
11	Adjusting Stud, Valve Clearance	A101220	2
12	Valve, Intake	A101221	1
13	Stud, Connecting	A101222	2
14	Camshaft	A101223	1
15	Oil Seal, Valve	A101224	1