



ILLUSTRATED PARTS BOOK

43cc Earth Auger

SEA438

SEA43

SEA438.1

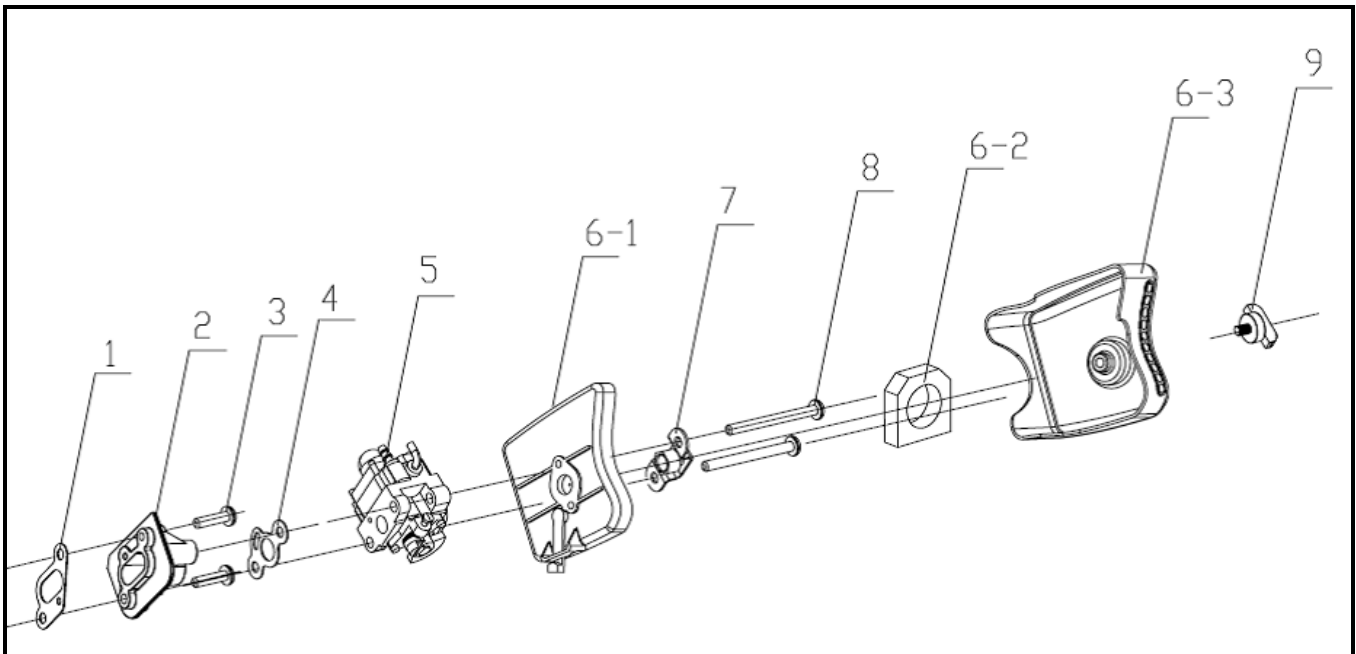
SEA43.1



Table of Contents

Carburetor Kit.....	2-3
Fuel Line Kit.....	4
Muffler Kit.....	5
Exploded View, 43cc Auger Engine.....	6-8
Exploded View, Auger Bit, Transmission, and Handle.....	9-10
Unit Decal Sheet.....	11

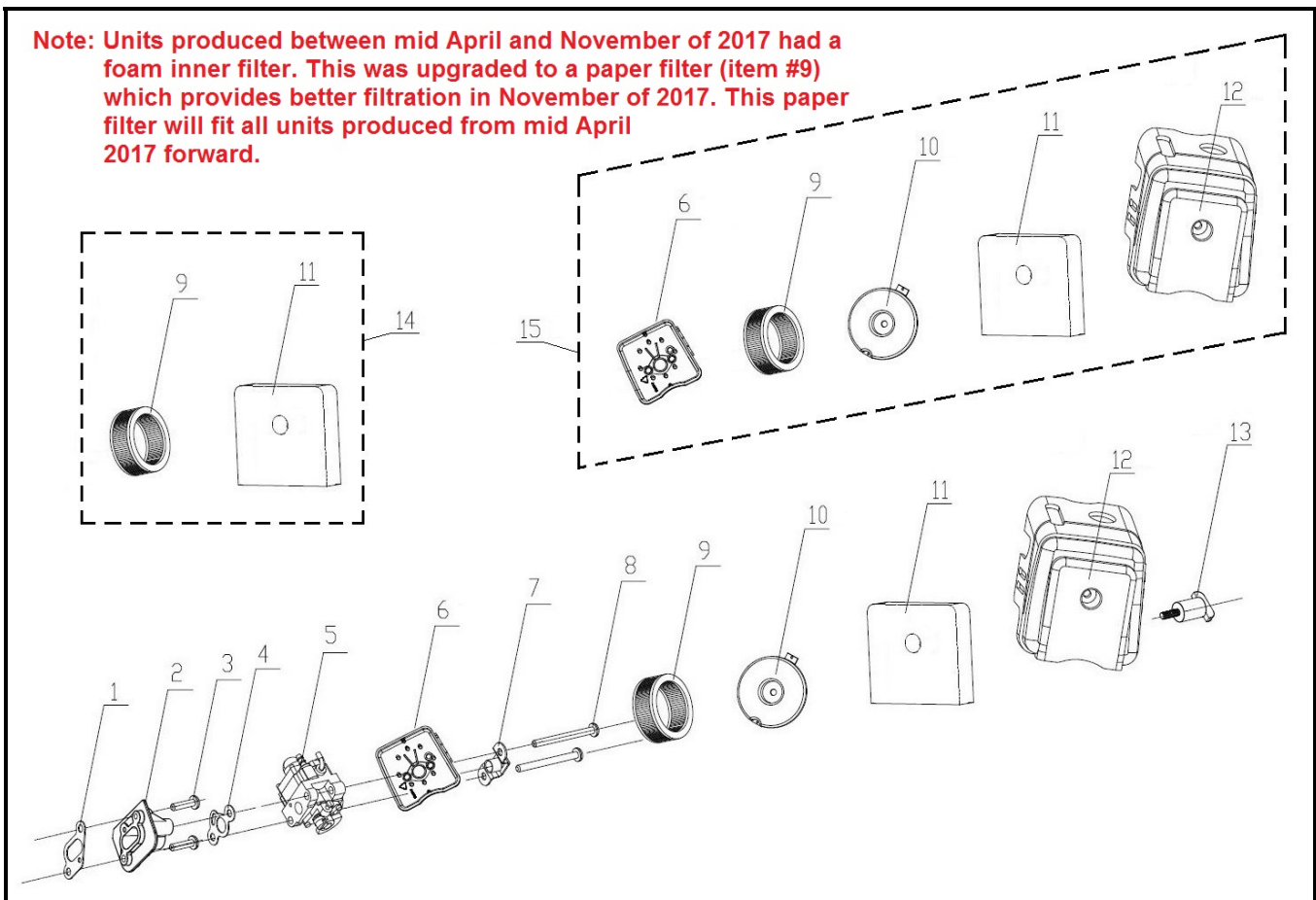
Kit, Carburetor – A201152 Model produced before April 21, 2017



REF. NO.	DESCRIPTION	PART NO.	QTY
1	Gasket, Isolator	A201108	1
2	Isolator, Carburetor	A201109	1
3	Bolt, M5 x 25	<i>For Reference Only</i>	2
4	Gasket, Carburetor	A201111	1
5	Carburetor, 43cc	A201112	1
6	Assembly, Air Filter (including 6-1, 6-2 and 6-3)	A201113	1
6-1	Housing, Air Filter	<i>For Reference Only</i>	1
6-2	Filter, Foam Element	A203798	1
6-3	Cover, Air Filter	<i>For Reference Only</i>	1
7	Bracket, Air Filter	A201114	1
8	Screw, M5 x 60	<i>For Reference Only</i>	2
9	Knob, Air Filter, M5 x 20	A201116	1

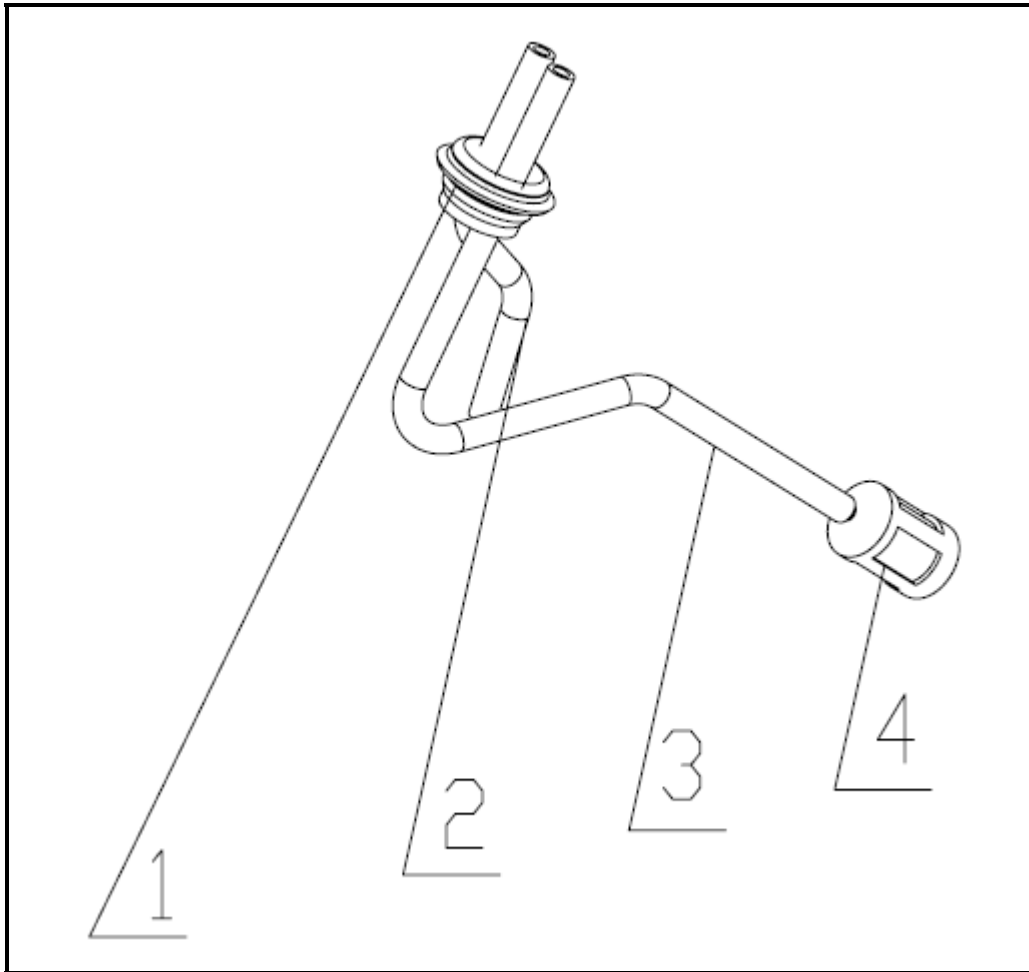
Kit, Carburetor – Model produced after mid April 2017

Note: Units produced between mid April and November of 2017 had a foam inner filter. This was upgraded to a paper filter (item #9) which provides better filtration in November of 2017. This paper filter will fit all units produced from mid April 2017 forward.



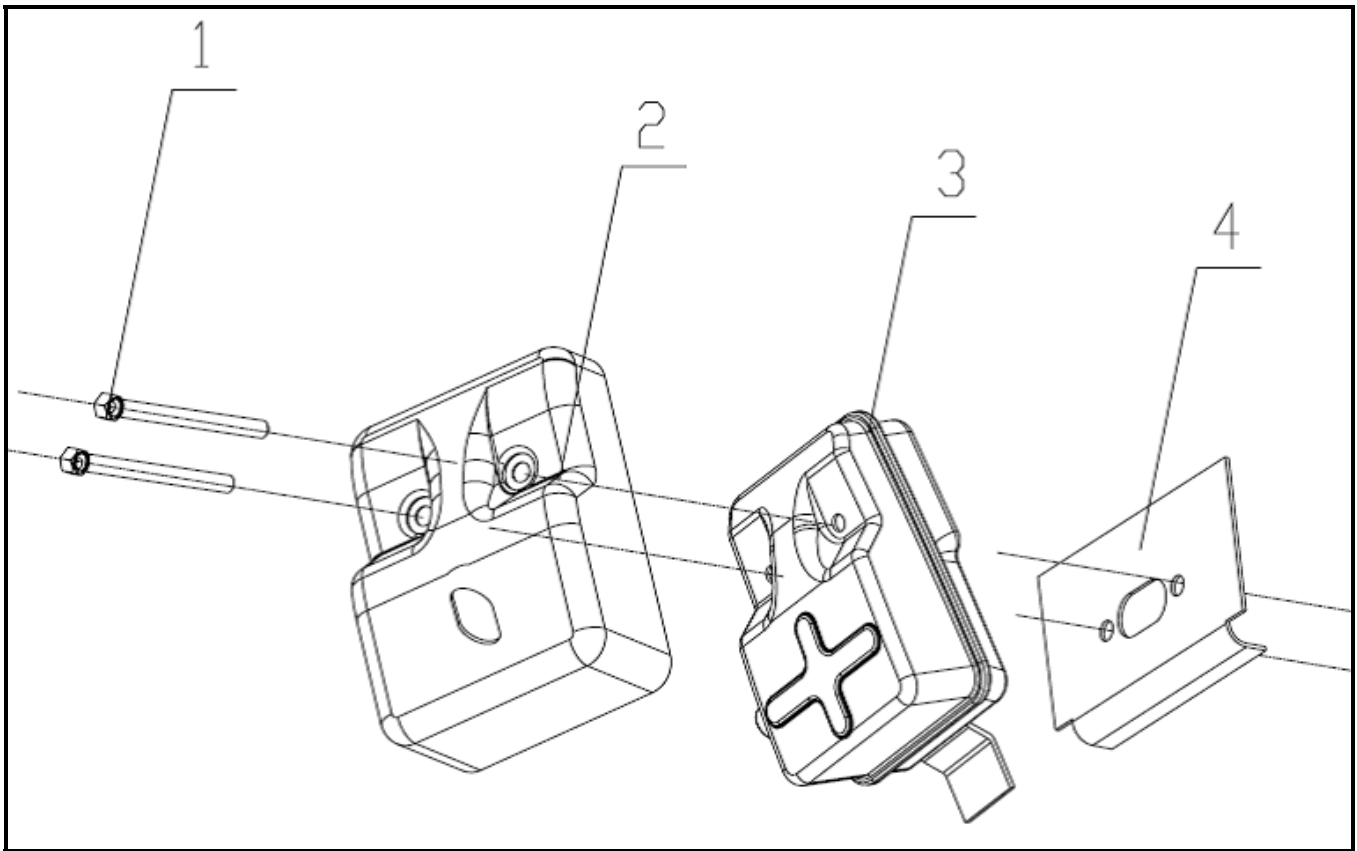
REF. NO.	DESCRIPTION	PART NO.	QTY
1	Gasket, Isolator	A201108	1
2	Isolator, Carburetor	A201109	1
3	Bolt, M5 x 25	<i>For Reference Only</i>	2
4	Gasket, Carburetor	A201111	1
5	Carburetor, 43cc	A201112	1
6	Housing, Air Filter	<i>For Reference Only</i>	1
7	Bracket, Air Filter	A201114	1
8	Screw, M5 x 60	<i>For Reference Only</i>	2
9	Filter, Pleated	<i>For Reference Only</i>	1
10	Mounting Plate, Element	<i>For Reference Only</i>	1
11	Filter, Foam Element	<i>For Reference Only</i>	1
12	Cover, Air Filter	<i>For Reference Only</i>	1
13	Knob, Air Filter	A203718	1
14	Kit, Filters (Includes items #9 & 11)	A203643	1
15	Kit, Air Filter	A203714	1

Kit, Fuel Line – A201153



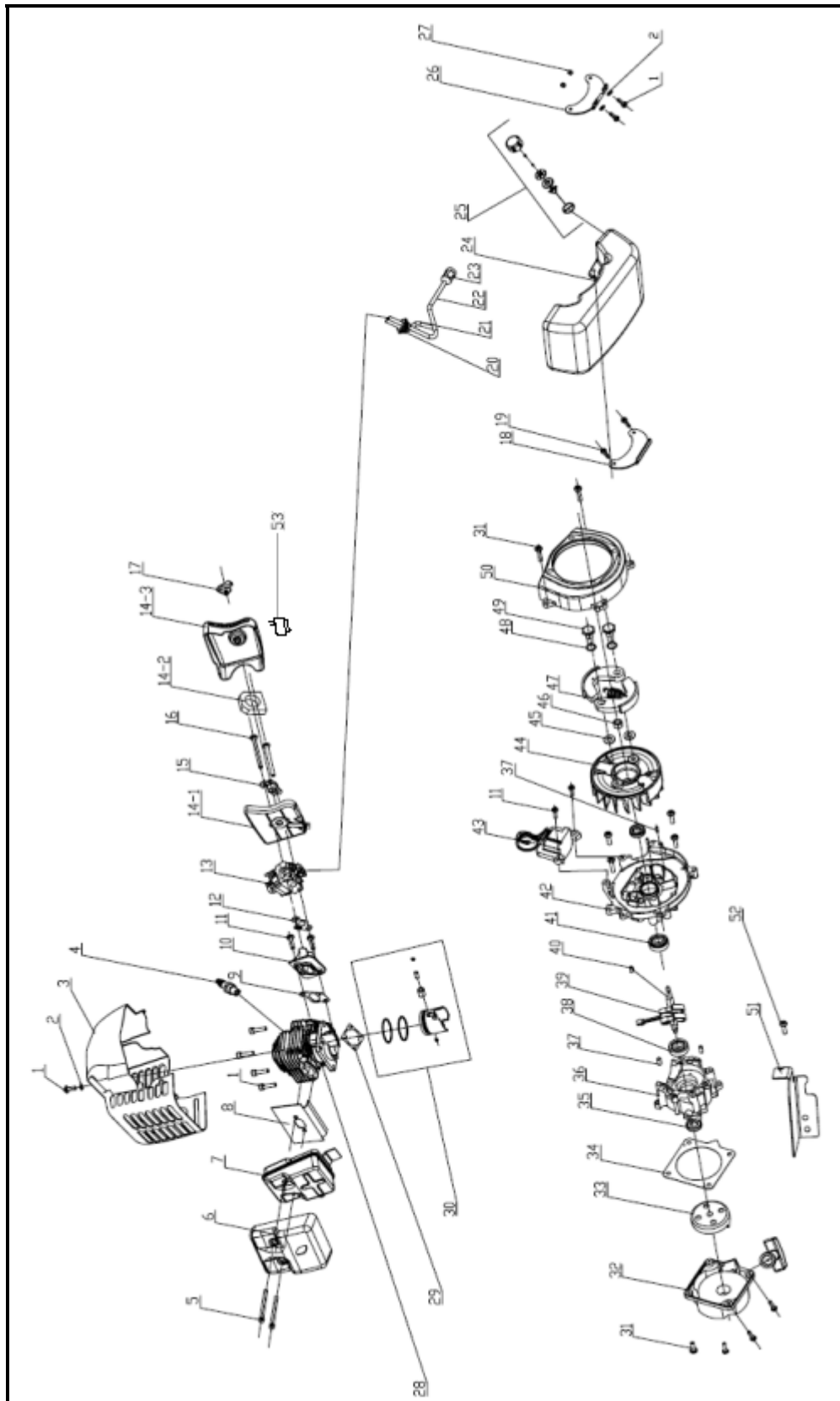
REF. NO.	DESCRIPTION	PART NO.	QTY
1	Grommet, Fuel Tank	<i>For Reference Only</i>	1
2	Outlet Line, Fuel	<i>For Reference Only</i>	1
3	Inlet Line, Fuel	<i>For Reference Only</i>	1
4	Filter, Fuel	A201122	1

Kit, Muffler - A201154



REF. NO.	DESCRIPTION	PART NO.	QTY
1	Bolt, M6 x 55	<i>For Reference Only</i>	2
2	Cover, Muffler	<i>For Reference Only</i>	1
3	Muffler	<i>For Reference Only</i>	1
4	Gasket, Muffler	A201107	1

Exploded View, 43cc Auger Engine - A202277



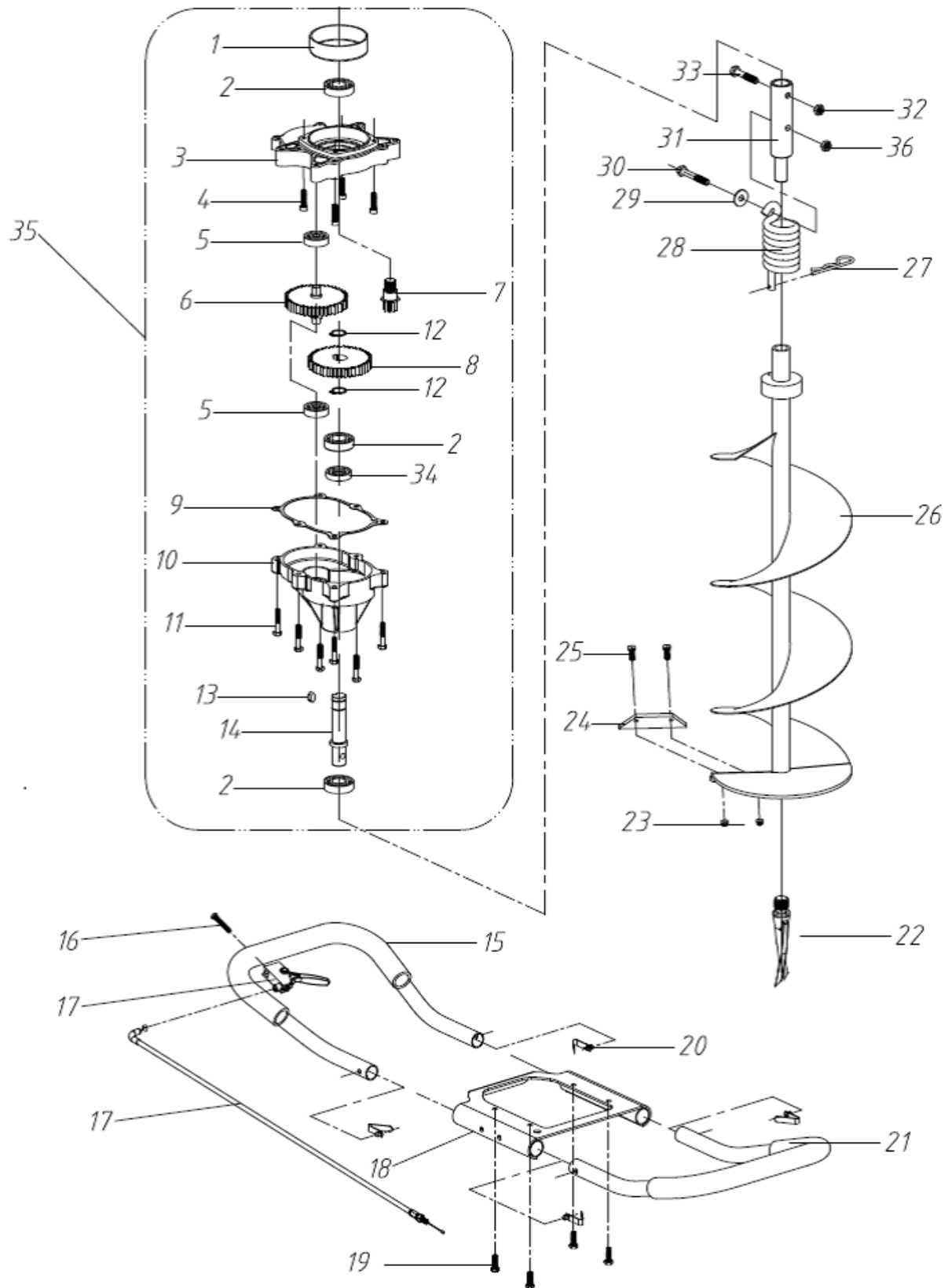
Exploded View, 43cc Auger Engine – A202277

REF. NO.	DESCRIPTION	PART NO.	QTY
1	Bolt, M5 x 16	<i>For Reference Only</i>	7
2	Washer, M5	<i>For Reference Only</i>	3
3	Shroud, Engine	A203420	1
4	Spark Plug, L7RTC	A201103	1
5	Bolt, M6 x 55	<i>For Reference Only</i>	2
6	Cover, Muffler	<i>For Reference Only</i>	1
7	Muffler	<i>For Reference Only</i>	1
8	Gasket, Muffler	A201107	1
9	Gasket, Isolator	A201108	1
10	Isolator, Carburetor	A201109	1
11	Bolt, M5 x 25	<i>For Reference Only</i>	4
12	Gasket, Carburetor	A201111	1
13	Carburetor	A201112	1
14	Assembly, Air Filter (including 14-1, 14-2 and 14-3)	A201113	1
15	Bracket, Air Filter	A201114	1
16	Screw, M5 x 60	<i>For Reference Only</i>	2
17	Knob, Air Filter, M5 x 20	A201116	1
18	Mounting Bracket, Fuel Tank, Bottom	A201117	1
19	Screw, M5 x 20	<i>For Reference Only</i>	2
20	Grommet, Fuel Tank	<i>For Reference Only</i>	1
21	Outlet Line, Fuel	<i>For Reference Only</i>	1
22	Inlet Line, Fuel	<i>For Reference Only</i>	1
23	Filter, Fuel	A201122	1
24	Fuel Tank	A201123	1
25	Cap, Fuel	A201124	1
26	Mounting Bracket, Fuel Tank, Top	A201125	1
27	Nut, M5	<i>For Reference Only</i>	2
28	Cylinder	<i>For Reference Only</i>	1
29	Gasket, Cylinder	<i>For Reference Only</i>	1
30	Piston	<i>For Reference Only</i>	1
31	Bolt, M5 x 20	<i>For Reference Only</i>	8
32	Starter, Recoil	A201131	1
33	Pawl, Starter	A201132	1
34	Mounting Plate, Starter	A201133	1
35	Seal, TC22X12X7, Crankcase	<i>For Reference Only</i>	1
36	Crankcase, Right	<i>For Reference Only</i>	1
37	Pin, 5 x 12	<i>For Reference Only</i>	4
38	Ball Bearing, 6202	<i>For Reference Only</i>	2
39	Crankshaft	<i>For Reference Only</i>	1
40	Key, 3 x 5 x 13, Crankshaft	<i>For Reference Only</i>	1
41	Seal, TC22X12X7, Crankcase	<i>For Reference Only</i>	1
42	Crankcase, Left	<i>For Reference Only</i>	1
43	Module, Ignition	A201142	1

Exploded View, 43cc Auger Engine – A202277

44	Flywheel, 43cc	A201143	1
45	Washer, M8	<i>For Reference Only</i>	2
46	Nut, M8	<i>For Reference Only</i>	1
47	Clutch	A201146	1
48	Spring Washer, M8	A201147	2
49	Bolt, Clutch	A201148	2
50	Cover, Flywheel	A201149	1
51	Gasket, Heat Shield	<i>For Reference Only</i>	1
52	Bolt, M5 x 12	<i>For Reference Only</i>	2
53	Switch, On/Off	A203370	1

Exploded View, Auger Bit, Transmission, and Handle



Exploded View, Auger Bit, Transmission, and Handle

REF. NO.	DESCRIPTION	PART NO.	QTY
1	Drum, Clutch	A201158	1
2	Bearing, 6004-2RS	<i>For Reference Only</i>	3
3	Gear Case, Top	<i>For Reference Only</i>	1
4	Bolt, M6 x 25	<i>For Reference Only</i>	4
5	Bearing, 6003-2RZ	<i>For Reference Only</i>	2
6	Gear, 10T/48T	<i>For Reference Only</i>	1
7	Gear, 7T, Pinion Threaded	<i>For Reference Only</i>	1
8	Gear, 44T	<i>For Reference Only</i>	1
9	Gasket	A201166	1
10	Gear Case, Bottom	<i>For Reference Only</i>	1
11	Bolt, M6 x 35	<i>For Reference Only</i>	6
12	Snap Ring, Ø20	<i>For Reference Only</i>	2
13	Dowel Pin, B6 x 12	<i>For Reference Only</i>	1
14	Shaft, Output	<i>For Reference Only</i>	1
15	Assembly, Handle Bar, Right	<i>For Reference Only</i>	1
16	Screw, Throttle Trigger	A201842	1
17	Assembly, Throttle Trigger	A201843	1
18	Frame, 43cc Auger	<i>For Reference Only</i>	1
19	Bolt, M6 x 20, Gear Box Mounting	<i>For Reference Only</i>	4
20	Retainer, Handle Bar	A201175	4
21	Assembly, Handle Bar, Left	<i>For Reference Only</i>	1
22	Fishtail Point	A201179	1
23	Lock Nut, M6	<i>For Reference Only</i>	2
24	Blade, Earth	A201181	1
25	Bolt, M6 x 16	<i>For Reference Only</i>	2
26	Shaft, Auger Bit, 8"	<i>For Reference Only</i>	1
27	Hair Pin, Auger Spring	A201184	1
28	Spring, Auger Bit	A201185	1
29	Washer, M8	<i>For Reference Only</i>	1
30	Bolt, M8 x 55	<i>For Reference Only</i>	2
31	Adaptor, Auger Bit	A201188	1
32	Lock Nut, M8 (prior to Jan. 2012) Lock Nut, M10 (Jan. 2012 & after)	<i>For Reference Only</i>	1
33	Bolt, M8 x 45 (prior to Jan. 2012) Bolt, M10 x 45 (Jan. 2012 & after)	<i>For Reference Only</i>	1
34	Seal, Gear Box, TC20X36X8	<i>For Reference Only</i>	1
35	Kit, Gear Box, 43cc Auger	A201156	1
36	Lock Nut, M8	<i>For Reference Only</i>	1

Note: The complete earth auger bit (includes Ref. Nos. 22-33) can be ordered with individual packaging. Model # for 8" complete earth auger bit is **SEAB8**.

Unit Decal Sheet



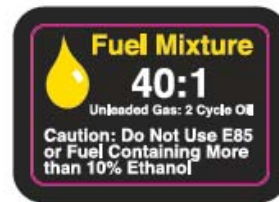
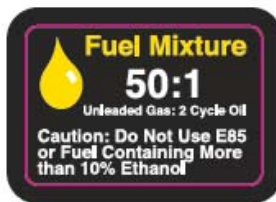
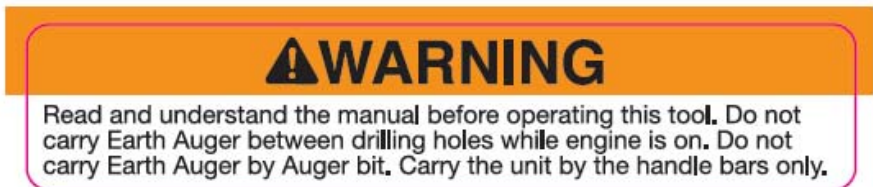
TO START

- 1 Push primer bulb 6 times
- 2 Set choke lever to CHOKE / COLD START position
- 3 Set On/Off switch to ON position
- 4 Pull recoil starter handle until engine starts
- 5 When engine starts, set choke lever to WARM START / RUN position
- 6 If engine fails to start, wait 2 minutes and repeat steps above

REFER TO OPERATORS MANUAL FOR MORE INFO

FOR SERVICE

800-737-2112
southlandpower-equipment.com



REF. NO.	DESCRIPTION	PART NO.	QTY
1	Decal Sheet, Unit	A203452	1