



## ILLUSTRATED PARTS BOOK

2-Cycle 30cc Handheld Blower/Vac/Mulcher

MODEL#: S-HBV-30175



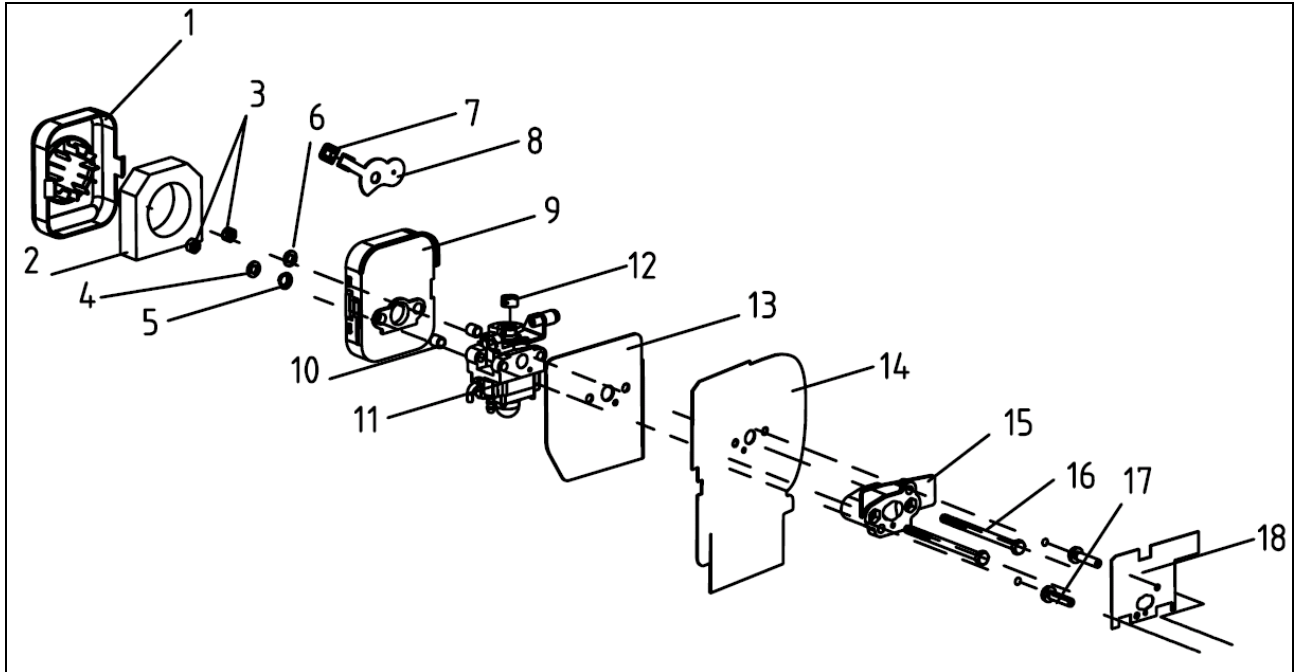
**Table of Contents**

Kit Sub-Assembly ..... 3-7

Engine Assembly..... 8-10

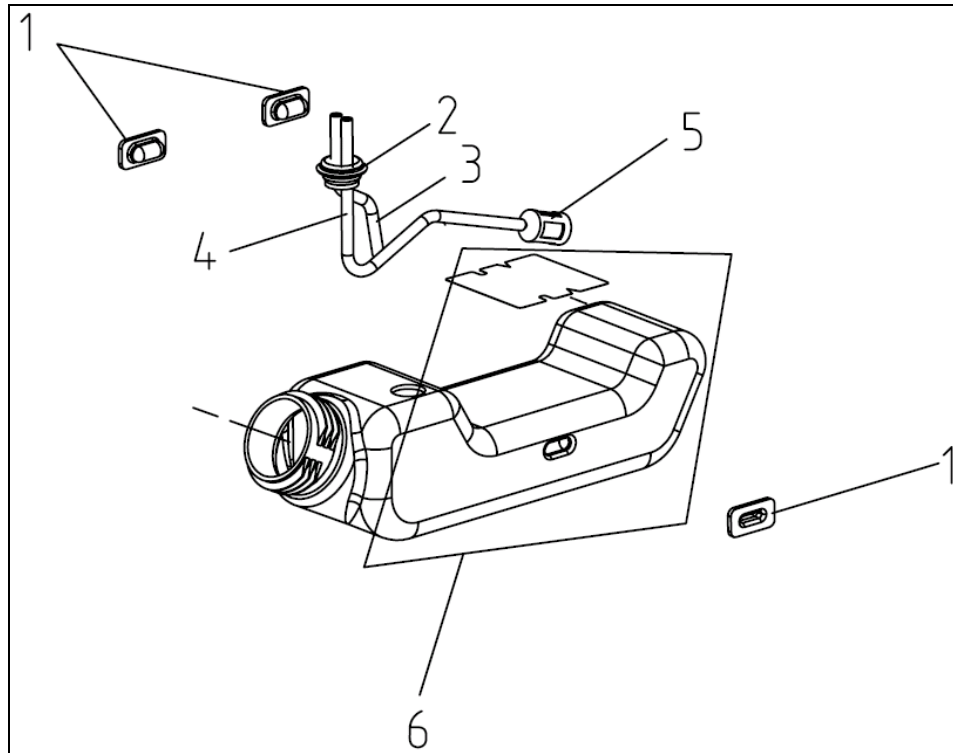
Housing Assembly ..... 11-13

## Carburetor Kit – **A101273**



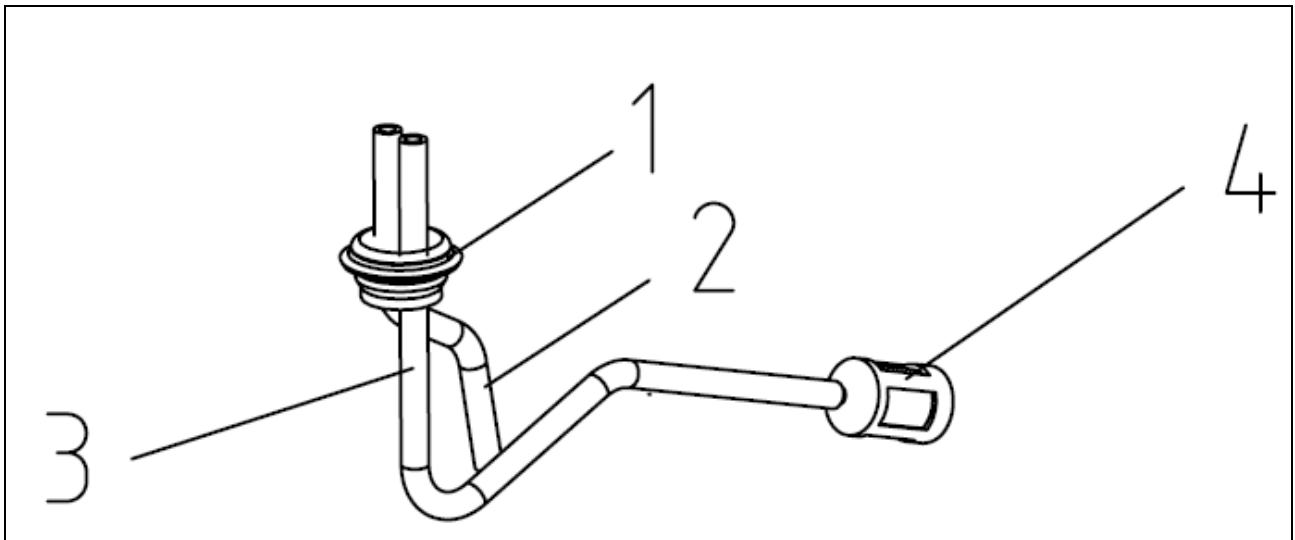
REF. NO.	DESCRIPTION	PART NO.	QTY
1	Cover, Air Box	A101289	1
2	Filter Foam, Air Box	A101290	1
3	Nut, M5	A101291	2
4	Washer, $\phi 5 \times \phi 13.5$	A101292	2
5	Spring, Choke	A101293	1
6	Washer, $\phi 5 \times \phi 10$	A101294	1
7	Bushing, Throttle Lever	A101295	1
8	Lever, Choke	A101296	1
9	Box, Air Filter	A101297	1
10	Spacer, Air Filter	A101298	2
11	Carburetor	A101299	1
12	Bushing, Throttle Line	A101300	1
13	Gasket, Carburetor	A101301	1
14	Shield, Heat	A101302	1
15	Adapter, Carburetor	A101401	1
16	Bolt, M5x68	A101402	2
17	Screw, Adaptor, M5x28	A101403	2
18	Gasket, Carburetor Adapter	A101306	1

# Fuel Tank Kit – A101274



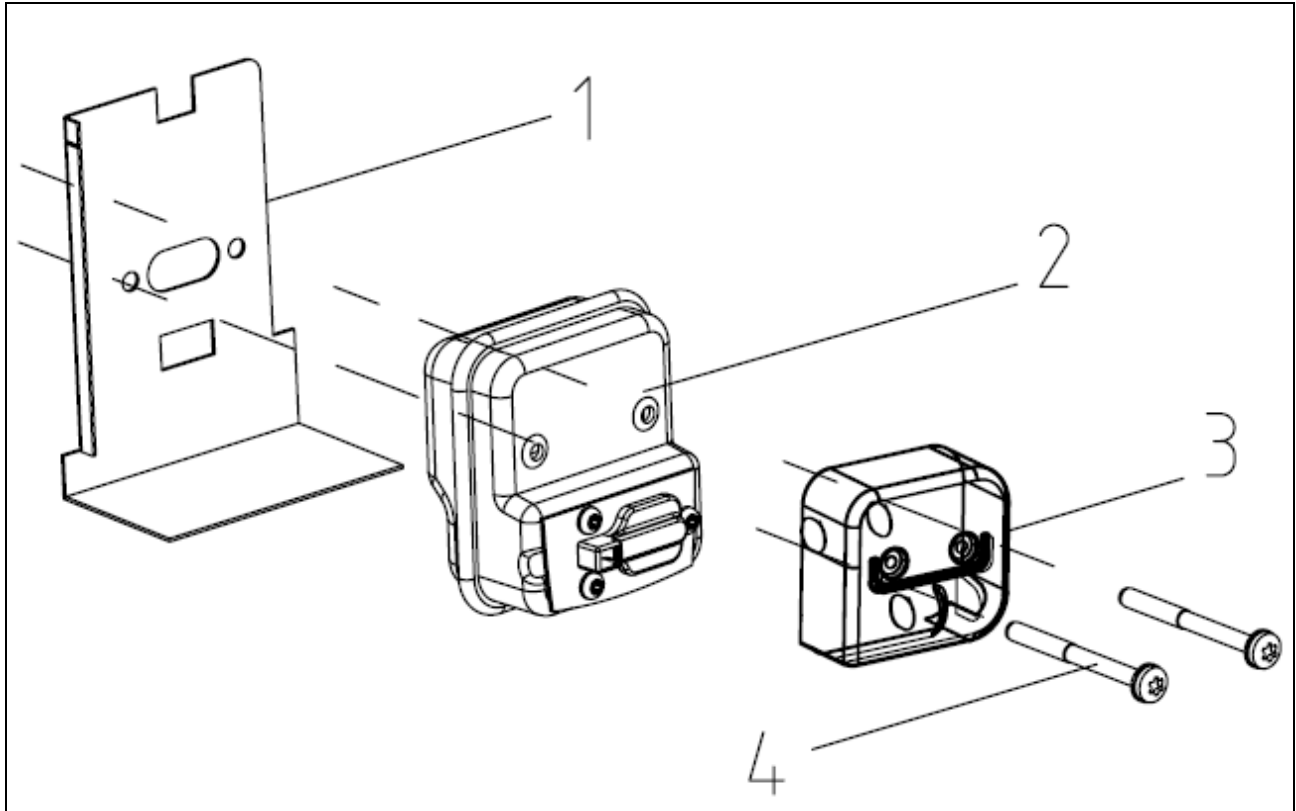
REF. NO.	DESCRIPTION	PART NO.	QTY
1	Bushing, Fuel Tank	A101333	1
2	Outlet line, Fuel	A101334	1
3	Inlet line, Fuel	A101335	1
4	Filter, Fuel	A101336	1
5	Assy, Fuel Tank (including. Heat Shield)	A101337	1
6	Assy, Fuel Cap	A101338	1

# Fuel Line Kit – A101275



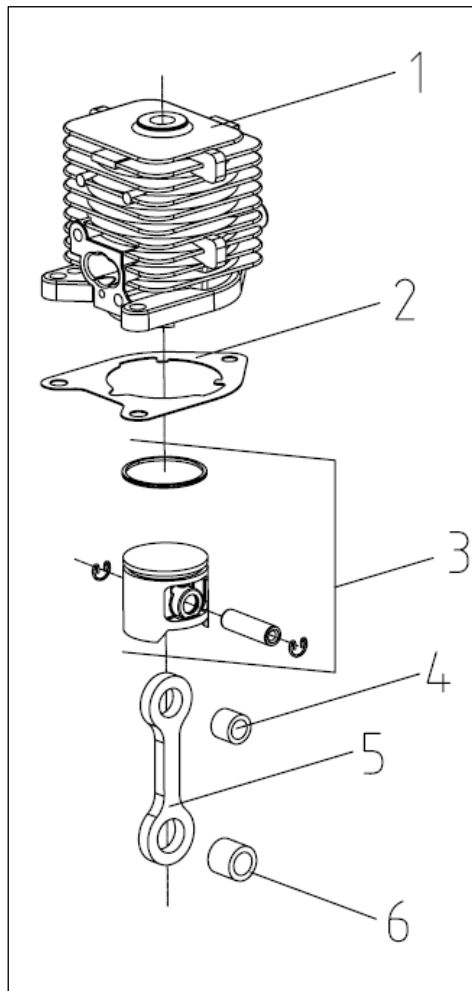
REF. NO.	DESCRIPTION	PART NO.	QTY
1	Bushing, Fuel Tank	A101333	1
2	Outlet line, Fuel	A101334	1
3	Inlet line, Fuel	A101335	1
4	Filter, Fuel	A101336	1

# Muffler Kit – A101276



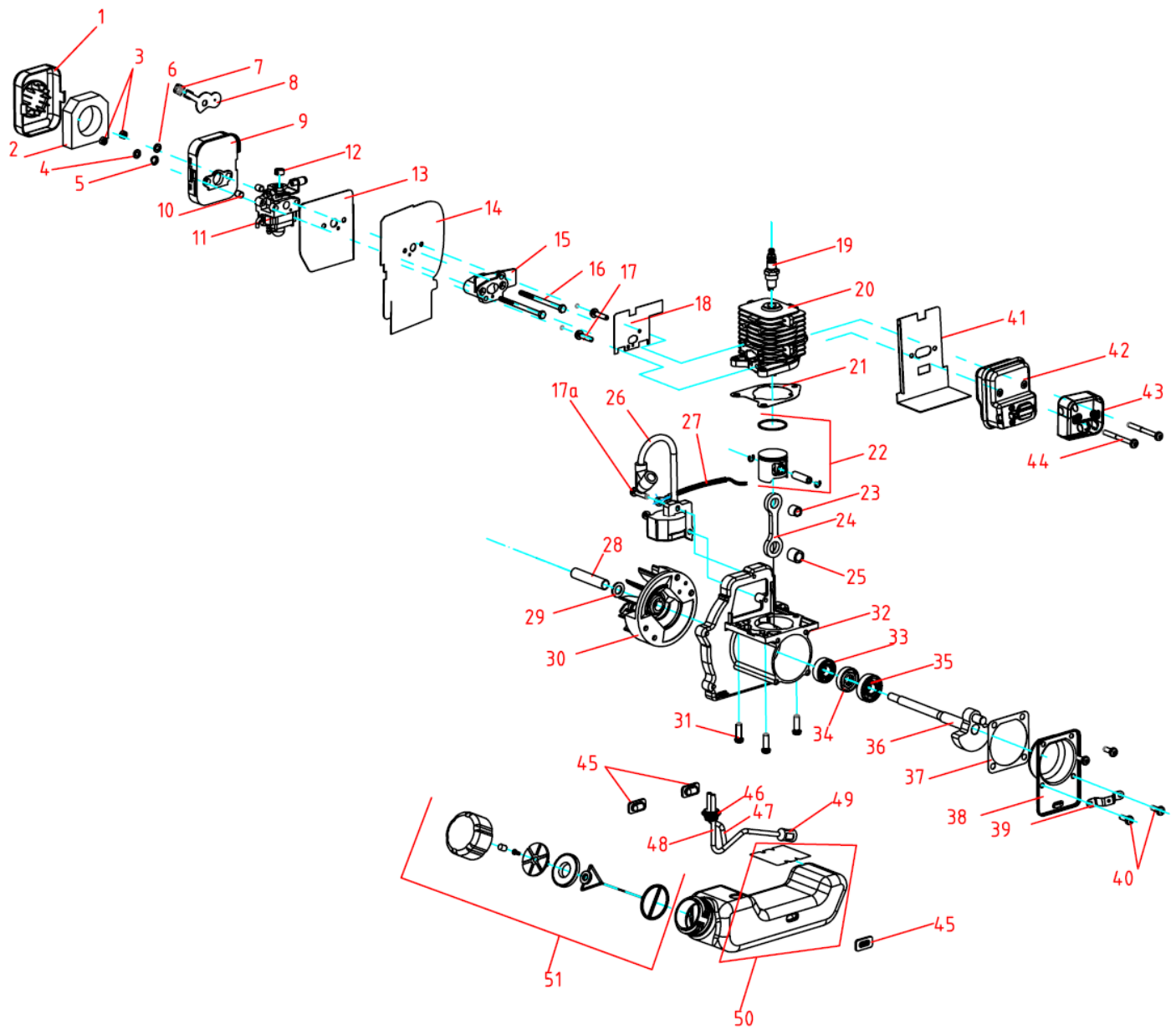
REF. NO.	DESCRIPTION	PART NO.	QTY
1	Gasket, Muffler	A101329	1
2	Muffler	A101404	1
3	Cover, Muffler	A101288	1
4	Screw, M5×56	A101331	2

# Piston / Cylinder /Connecting Rod / Bearing Kit – **A101278**



REF. NO.	DESCRIPTION	PART NO.	QTY
1	Cylinder	A200235	1
2	Gasket, Cylinder	A101309	1
3	Assy - Kit, Piston	A200238	1
4	Needle bearing 8×12×10	A101311	1
5	Conn. Rod	A101312	1
6	Needle bearing 9.5×14.3	A101313	1

# Engine Assembly



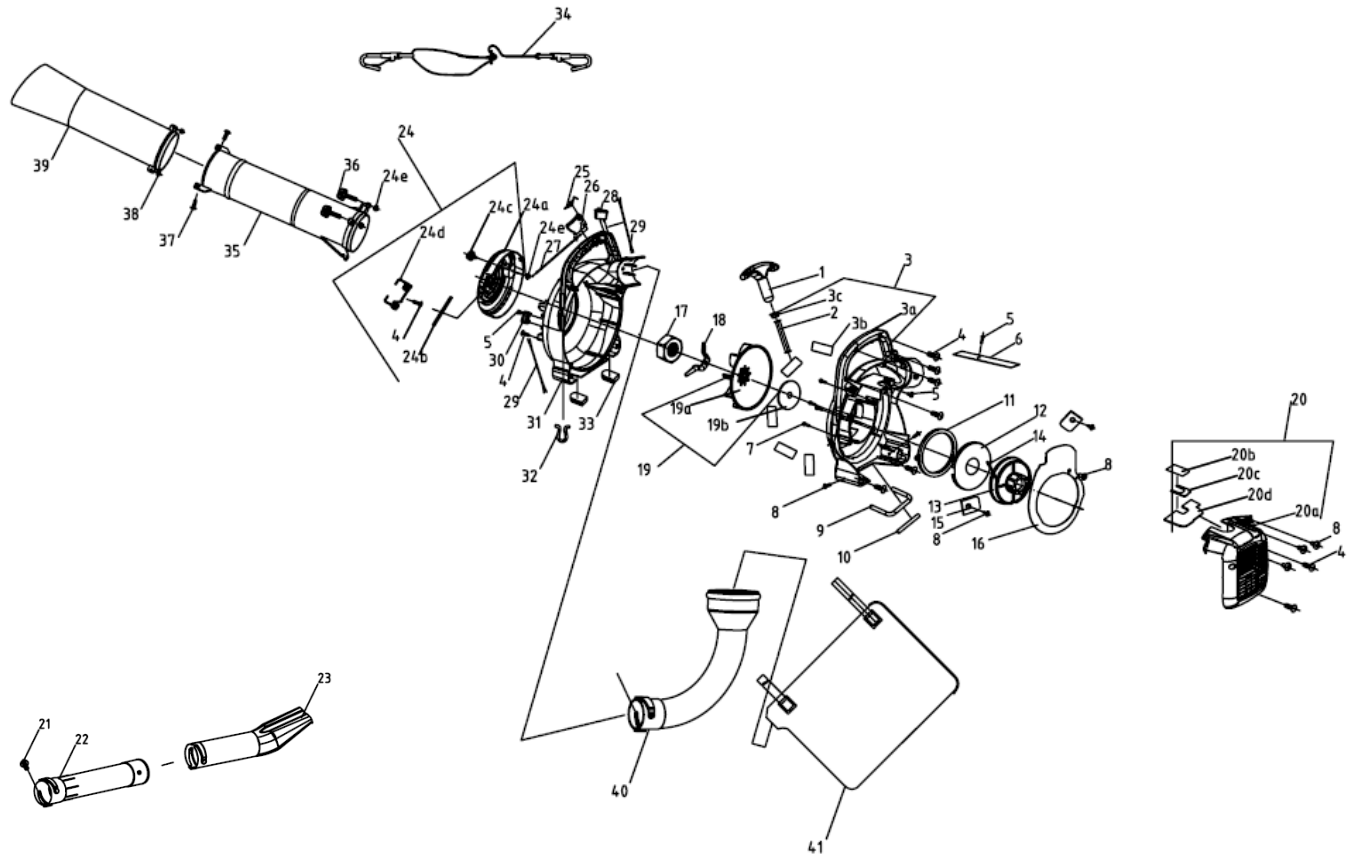


# Engine Assembly

REF. NO.	DESCRIPTION	Part Number	QTY.
1	Cover, Air Box	A101289	1
2	Filter Foam, Air Box	A101290	1
3	Nut, M5	A101291	2
4	Washer, $\phi 5 \times \phi 13.5$	A101292	2
5	Spring, Choke	A101293	1
6	Washer, $\phi 5 \times \phi 10$	A101294	1
7	Bushing, Throttle Lever	A101295	1
8	Lever, Choke	A101296	1
9	Box, Air Filter	A101297	1
10	Spacer, Air Filter	A101298	2
11	Carburetor	A101299	1
12	Bushing, Throttle Line	A101300	1
13	Gasket, Carburetor	A101301	1
14	Shield, Heat	A101302	1
15	Adapter, Carburetor	A101401	1
16	Bolt, M5 $\times$ 80	A101402	2
17	Screw, Adaptor, M5 $\times$ 28	A101403	2
17a	Screw, Ignition, M5 $\times$ 23	A101305	1
18	Gasket, Carburetor Adapter	A101306	1
19	Spark Plug	A101307	1
20	Cylinder	A200235	1
21	Gasket, Cylinder	A101309	1
22	Assy - Kit, Piston	A200238	1
23	Needle bearing 8 $\times$ 12 $\times$ 10	A101311	1
24	Conn. Rod	A101312	1
25	Needle bearing 9.5 $\times$ 14.3	A101313	1
26	Module, Ignition	A101314	1
27	Wire, Switch	A101315	1
28	Spacer	A101316	1
29	Washer, $\phi 10$	A101317	1
30	Flywheel	A200230	4
31	Bolt, M6 $\times$ 20	A101319	1
32	Crankcase	A101320	1
33	Outer Bearing 6001	A101321	1
34	Seal, Crankcase	A101322	1
35	Inner Bearing 6201	A101323	1

36	Crankshaft	A200249	1
37	Gasket, Crankcase	A101325	1
38	Plug, Crankcase	A101326	1
39	Bracket, Rear Cover	A101327	4
40	Screw, M5×16	A101328	1
41	Gasket, Muffler	A101329	1
42	Muffler	A101404	1
43	Muffler Cover	A101288	2
44	Screw, M5×56	A101331	3
45	Retainer, Fuel Tank	A101332	1
46	Bushing, Fuel Tank	A101333	1
47	Outlet line, Fuel	A101334	1
48	Inlet line, Fuel	A101335	1
49	Filter, Fuel	A101336	1
50	Assy, Fuel Tank (including. Heat Shield)	A101337	1
51	Assy, Fuel Cap	A101338	1

# Housing Assembly



## Housing Assembly

REF. NO.	DESCRIPTION	Part Number	QTY.
1	Handle, Starter	A101339	1
2	Bushing, Starter	A101340	1
3	Assy - Middle Cover	A101341	1
3a	Middle Cover	For Reference Only	1
3b	Film, Cover	For Reference Only	1
3c	Spacer, Cover	For Reference Only	1
4	Screw, M5X16	A101342	1
5	Tapping Screw, st2.9X12	A101343	4
6	Plate, Mounting	A101344	1
7	Screw, Cover, M5X20	A101345	10
8	Screw, Vac Handle, M4X12	A101346	4
9	Vacuum Handle	A101347	1
10	Foam, Vac Handle	A101348	1
11	Spring, Starter	A101349	1
12	Retainer, Starter Spring	A101350	1
13	Pulley, Starter	A101351	1
14	Rope, Starter	A101352	1
15	Plate, Starter	A101353	1
16	Retainer, Starter	A101354	1
17	Lock Nut, Fan, M8X1	A101355	1
18	Blade, Mulch	A101407	1
19	Assy, Fan	A101357	1
19a	Fan	For Reference Only	1
19b	Adapter, Fan Assy	For Reference Only	1
20	Assy, Right Cover	A101358	1
20a	Cover, Right	For Reference Only	1
20b	Film 1, Right Cover	For Reference Only	1
20c	Film 2, Right Cover	For Reference Only	1
20d	Film 3, Right Cover	For Reference Only	1
21	Screw, M5X12	A101359	1
22	Tube, Upper	A101360	1
23	Tube, Nozzle	A101361	1
24	Assy, Fan Door	A101362	1
24a	Door, Fan	For Reference Only	1
24b	Axle, Spring	For Reference Only	1

24c	Knob, Fan Door	For Reference Only	2
24d	Spring, Fan Door	For Reference Only	2
24e	O Ring, Knob	For Reference Only	1
25	Spring, Throttle	A101363	1
26	Lever, Throttle	A101364	1
27	Cable, Throttle	A101408	1
28	On/Off Switch	A101366	1
29	Ass'y, Wire	A101367	2
30	Switch, Safety, Left Cover	A101368	1
31	Cover, Left	A101369	1
32	Hook, Strap	A101370	1
33	Cushion, Left Cover	A101371	2
34	Shoulder Strap, Blower/Vac	A101409	1
35	Tube, Vacuum, Upper	A101410	1
36	Knob, Vac, M6X25	A101411	2
37	Screw, Vac Tube	A101412	2
38	Nut, Vac Tube, M5	A101413	2
39	Tube, Vacuum, Lower	A101414	1
40	Tube, Vacuum, Elbow	A101415	1
41	Bag, Vacuum	A101416	1

MAT Engine Technologies, LLC  
Long Grove, IL60047

Rev. 6/2011